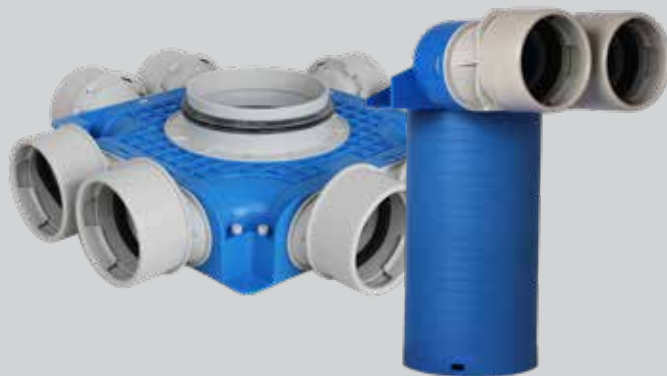


Uniflexplus+ Semi-Rigid Duct System

- Compact, low profile system
- Highly flexible and robust
- Extremely crush resistant
- Quick and easy to install
- PCDB listed
- Suitable for installation in concrete
- Corrosion resistant
- Smooth inner surface with antistatic and antibacterial coating
- Independently tested and accredited for air tightness
- Class D air tightness
- Operating temp.: -20°C to +60°C
- A spigot blanking cap is provided for use with single runs of semi-rigid



Uniflexplus+ Semi-Rigid Range

The new Uniflexplus+ Semi-Rigid Range sets the standard for easy to install, low profile ducting solutions. The system gives all of the flexibility that semi-rigid ducting provides - without taking up vital space. With minimal components, the system is uncomplicated to ensure a hassle-free, speedy install.

The Uniflexplus+ Semi-Rigid Range is compatible with most wholehouse ventilation systems including the Lo-Carbon Sentinel Kinetic Range (MVHR).

Accessories

Description	Duct Size	Stock Ref
Circular Extract Diffusers	125mmØ	10544125
Duct Knife	Ø90mm	472252
Duct Knife	Ø75mm	472258
90° Bend	Ø90mm	472253
90° Bend	Ø75mm	472259
Coupler	Ø90mm	472254
Coupler	Ø75mm	472260

Description	Model	Duct Size	Stock Ref
Adjustable Round Valve	RV125	125mmØ	479372
Adjustable Round Valve Large	RVG125	125mmØ	479373
Adjustable Square Valve	RVV125	125mmØ	479374
Adjustable Valve Collar	RVK	125mmØ	479376
Adjustable Valve Blanking Plate*	RVB	125mmØ	479377

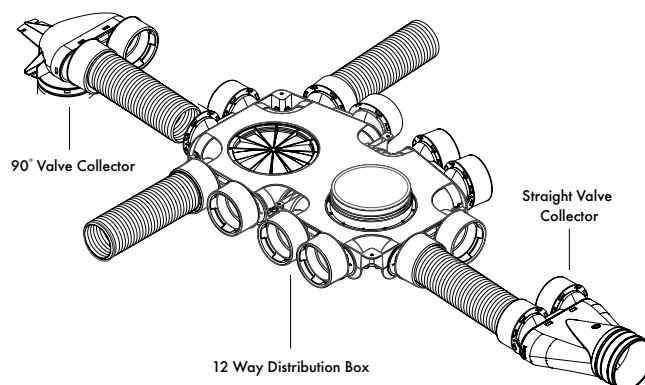
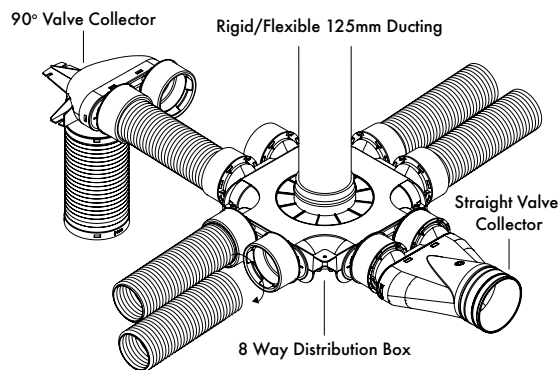
*Not suitable for RVV125 model

Complete System Setup Examples

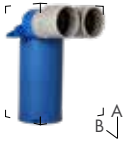
The distribution boxes can be mounted vertically on a wall or fixed horizontally onto a ceiling slab to achieve a solution tailored to your need. At a depth of just 90mm, the distribution boxes offer a considerably low-profile solution - they can then be combined with various components to suit on-site needs.

Semi-Rigid ducting is run from distribution boxes and ancillaries to respective rooms in the dwelling. Connecting the Semi-Rigid ducting to components is exceptionally straightforward to allow speedy installation - simply turn the ducting into the spigot until it clicks twice to achieve an airtight mechanical seal.

Rigid or flexible 125mm diameter ducting is then run from the MVHR unit to the distribution box.



Models



90° Valve Collector

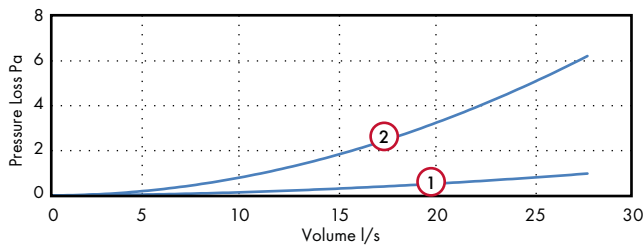
The 90° Valve Collector connects a section of 125mm diameter ducting and turns 90° into 2 spigots to connect to the semi rigid - ideal for dropping semi-rigid into ceiling diffusers.

Duct Size	Stock Ref
2xØ75 - Ø125mm	472255
2xØ90 - Ø125mm	472248

Dimensions (mm)

Stock Ref	Curve Ref	A	B	kg
472255	1	356	294	0.8
472248	2	376	300	0.9

Performance



Distribution Box

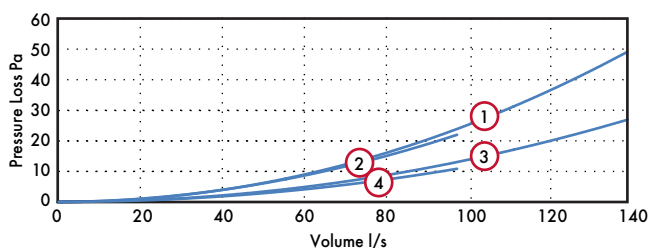
The low-profile distribution box runs a central spigot of diameter 125mm into a set of either 8 or 12 sub-spigots, depending on requirements. Available with either 75mm or 90mm semi-rigid spigots.

Model	Stock Ref
12xØ75 - Ø125mm	472256
8xØ75 - Ø125mm	472257
12xØ90 - Ø125mm	472250
8xØ90 - Ø125mm	472251

Dimensions (mm)

Stock Ref	Curve Ref	A	B	C	kg
472256	1	123	742	504	3.6
472257	2	125	467	467	2.2
472250	3	124	755	520	3.9
472251	4	125	479	479	2.3

Performance



Straight Valve Collector

The straight valve collector takes 125mm ducting and turns it straight into 2 spigots to connect to semi-rigid.

Model	Stock Ref
2xØ75mm - Ø125mm	472261
2xØ90mm - Ø125mm	472262

Dimensions (mm)

Stock Ref	A	B	C
472261	125	305	229
472262	123	311	229



Semi-Rigid Ducting

Suitable for installation in concrete ceilings, suspended ceilings, internal walls, risers or frames, the Semi-Rigid Ducting is double-walled providing optimum flexibility. With an antistatic and antibacterial coating, the internal surface of the Semi-Rigid Ducting is smooth to ensure minimal resistance to airflow. Normally flammable construction material class E, according to EN-13501-1.

Pipe Size	Stock Ref
75mmØ x 50mm	406587
90mmØ x 50mm	406588
75mmØ x 25mm	474077
90mmØ x 25mm	474078

Dimensions (mm)

Stock Ref	Curve Ref	O/I Ømm	Length m	Coil Ømm	Coil Height mm	kg
406587	1	75/64	50	1100	350	24.3
406588	2	90/78	50	1130	250	19.5
474077	-	75/64	25	1100	175	12.2
474078	-	90/78	25	1130	125	9.8

Performance

