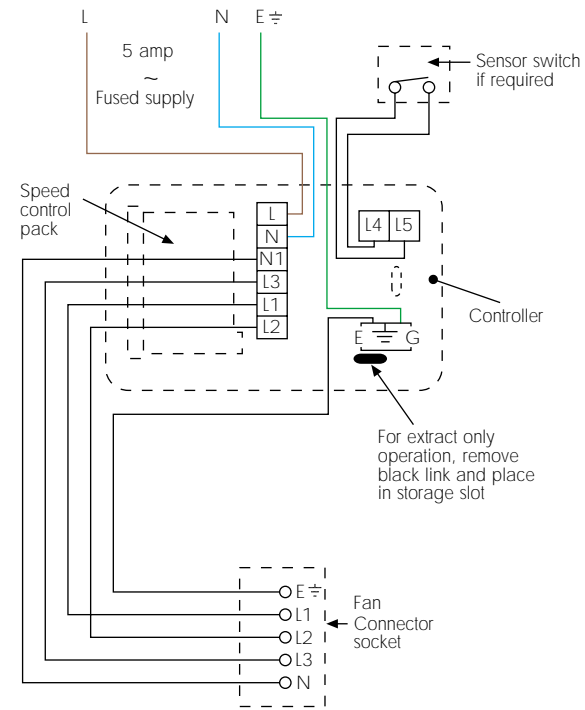


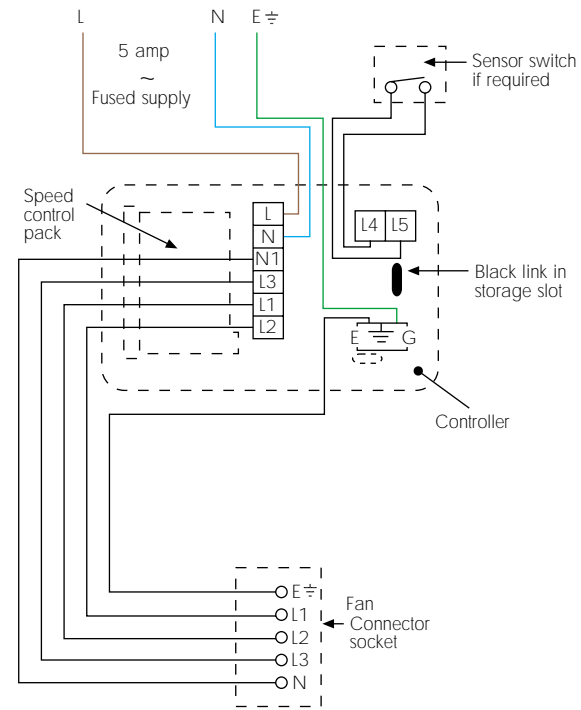
# Wiring Diagrams

## T-SERIES SURFACE MOUNTED CONTROLLER

FOR REVERSIBLE OR EXTRACT ONLY OPERATION

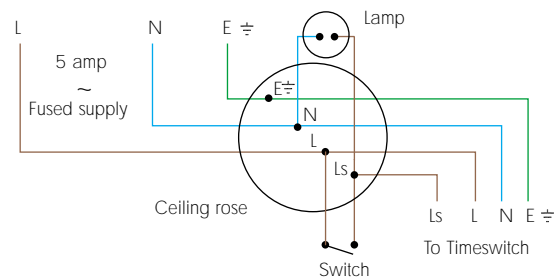


FOR INTAKE ONLY OPERATION

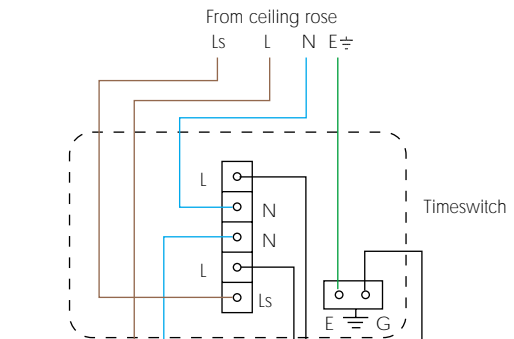


## TIMESWITCH FOR T-SERIES

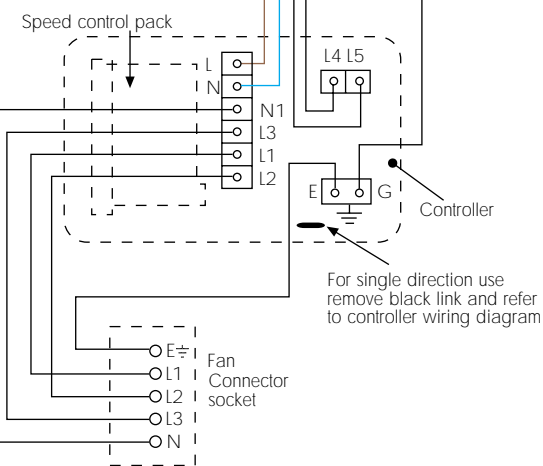
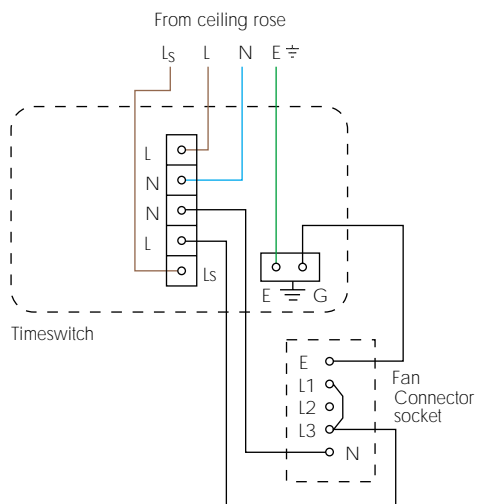
FOR LIGHT CIRCUIT



WITH SPEED CONTROL



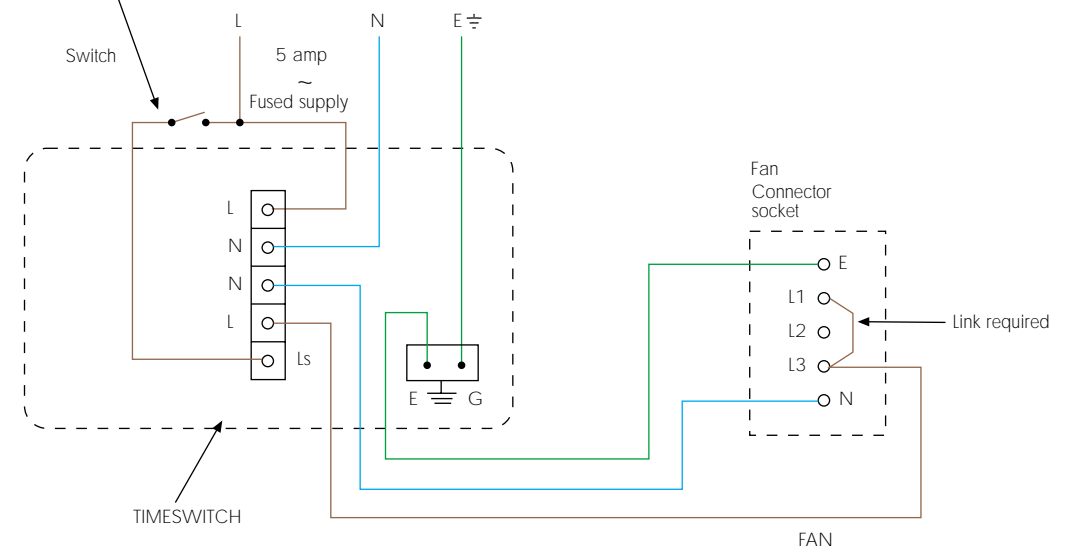
WITHOUT SPEED CONTROL



## TIMESWITCH FOR T-SERIES (CONT'D)

WHEN USED WITH A SWITCH NOT CONNECTED TO A LAMP

Equipment to be timed is supplied when this switch is on, and remains supplied for timed period of 1-35 minutes after switch is turned off.



TIMESWITCH WITH MULTIPLE LAMP SWITCHES

