

# Quiet Pack (QP)

- 'O' Class rated acoustically treated casing, ensuring minimum duct and breakout noise levels
- Air volumes up to 1.59m<sup>3</sup>/s
- Suitable for external pressures up to 500Pa
- Designed to suit duct diameters from 100 to 500mm
- Operating Temperatures from -15°C up to +40°C
- Speed Controllable
- Quality Assurance to BS EN ISO 9001:1994
- Performance tested to BS848 Part 1 1980



The Quiet Pack in-line acoustic fans are as supplied from Roof Units, designed around a high performance centrifugal impeller, offering a highly efficient, quiet and compact in-line acoustic fan.

The Quiet Pack fan range is manufactured from prime quality galvanised sheet steel, ensuring a robust in-line fan for those tough site conditions.

Quiet Pack casings are suitable for internal mounting and internally treated with an 'O' class rated acoustic foam, which offers the benefits of excellent low level duct bound and breakout sound levels, in addition self extinguishing properties, zero burn rate, resistant to ignition, and no toxic fumes.

Quiet Pack fans are suitable for circular ducting ranging in sizes 100, 125, 150, 160, 200, 250, 315, 400 and 500mm, with air volumes from 0.016m<sup>3</sup>/s to 1.8m<sup>3</sup>/s and pressure development of up to 500Pa.

The casing are specially designed to allow the unit to be mounted via drop rods or anti vibration mounts, ensuring a quick and easy solution to installation of the Quiet Pack in-line acoustic fans. All manufacturing processes of the Quiet Pack fan units are computer designed and controlled to BS EN ISO 9001 Standards.

---

## Impellers

The motor and backward curved impeller is factory matched, statically and dynamically balanced on precision machines, to DIN ISO 1940 Grade 6.3, to give quiet, vibration free running.

---

## Motors

Motor insulation Class B, suitable for operating temperatures from -15°C to +40°C and atmospheres up to 95% RH.

All sizes are ideally suitable for speed control by electronic or voltage reduction. Vent-Axia would recommend that a voltage reduction Auto Transformer speed controller is used with all Quiet Pack units to ensure minimum noise levels during speed control and to eliminate any possibility of harmonic noise levels which may occur when using electronic speed controllers at lower speeds.

---

## Performance

The fan performance is in accordance with tests to BS848 Part 1 1980, with the fan sound levels measured in a reverberant chamber in accordance with BS848 Part 2 1985.

---

## Quality Assurance

Design and manufacture is in accordance with the standard for quality management systems BS EN ISO 9001:1994.

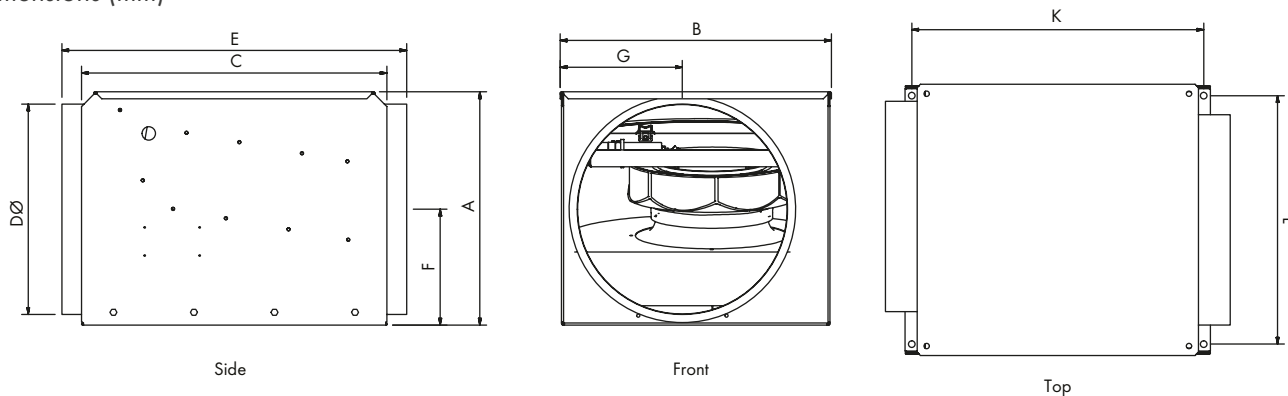
---

## Accessories

A full range of accessories are available with the Fan Box range of fans such as:

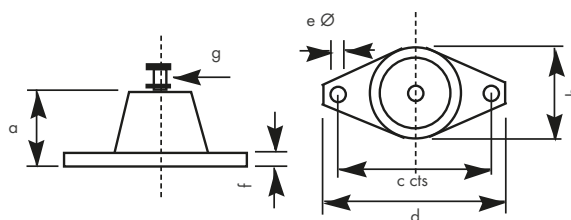
- Auto Transformer Speed Controllers
- Electronic Speed Controllers
- D.O.L. Starters
- Standard, Acoustic & Thermal Flexible Ducting
- Pre-Panel or Secondary Bag Filters
- Electric Heater Batteries
- Backdraught Shutters
- In-Line Attenuators
- Wall & Roof Terminals
- Fast Clamps

## Dimensions (mm)



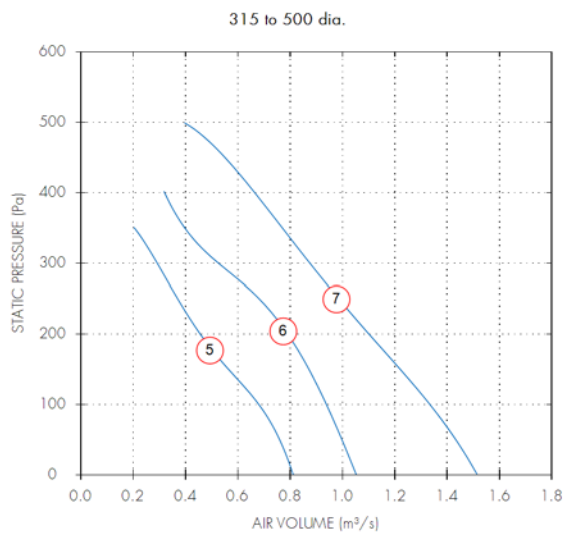
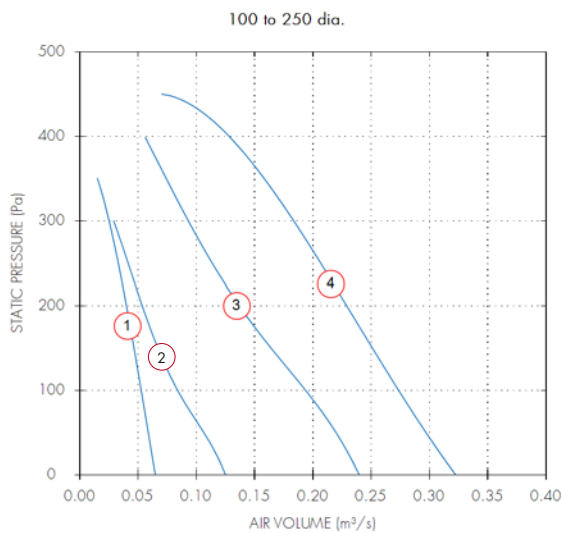
Stock Ref	A	B	C	ØD	E	F	G	K	L
QP100C	190	310	400	100	460	94	111	380	275
QP125C	190	310	400	125	460	94	111	380	275
QP150C	190	310	400	150	460	94	111	380	275
QP160C	190	310	400	160	460	94	111	380	275
QP200C	285	364	455	200	515	141	127	435	330
QP250C	285	364	455	250	515	141	127	435	330
QP315C	456	572	730	315	792	227	243	710	540
QP400C	456	572	730	400	792	227	243	710	540
QP500C	575	769	918	500	1006	286	326	898	735

## Anti Vibration Mountings



Stock Ref	a	b	c	d	eØ	f	g
ø8MP033G	27	37	54	67	7	3	M8

# Performance Guide



Dia.	Motor Phase	Stock Ref	r.p.m	Curve Ref.	m³/s @ Pa					Motor kW	S.C. Amps	F.L.C Amps	dB(A) @ 3m
					0	100	200	300	400				
100	1	QP100C	2350	1	0.06	0.05	0.04	0.03		0.05	0.37	0.23	32
125	1	QP125C	2350	1	0.07	0.05	0.04	0.02		0.05	0.37	0.23	33
150	1	QP150C	2350	2	0.12	0.08	0.05	0.03		0.05	0.37	0.23	33
150	1	QP160C	2350	2	0.12	0.08	0.05	0.03		0.05	0.37	0.23	33
200	1	QP200C	2700	3	0.24	0.19	0.14	0.09		0.09	0.85	0.38	36
250	1	QP250C	2500	4	0.32	0.27	0.23	0.18	0.13	0.16	1.25	0.68	36
315	1	QP315C	1330	5	0.81	0.68	0.46	0.29		0.27	2.2	1.18	38
400	1	QP400C	1340	6	1.05	0.94	0.79	0.53	0.32	0.47	5.9	2.33	39
500	1	QP500C	1330	7	1.52	1.33	1.1	0.88	0.66	0.73	6.27	3.21	47

## Sound Power Level Spectra dB (ref 10<sup>-12</sup> Watts)

Dia.	Motor Phase	Stock Ref	Spectrum	dB(A) @ 3m								
				63	125	250	500	1k	2k	4k	8k	
100	1	QP100C	Inlet	53	59	68	58	50	45	34	33	41
100	1	QP100C	Outlet	54	57	63	59	60	54	49	42	43
100	1	QP100C	Breakout	48	52	59	49	41	39	31	32	32
125	1	QP125C	Inlet	51	65	73	62	51	46	36	36	45
125	1	QP125C	Outlet	52	62	67	64	62	55	52	45	46
125	1	QP125C	Breakout	51	53	60	49	41	40	33	33	33
150	1	QP150C	Inlet	54	60	70	59	52	46	38	36	42
150	1	QP150C	Outlet	56	58	63	58	59	56	49	43	43
150	1	QP150C	Breakout	50	55	60	50	43	38	31	32	33
160	1	QP160C	Inlet	54	60	70	59	52	46	38	36	42
160	1	QP160C	Outlet	56	58	63	58	59	56	49	43	43
160	1	QP160C	Breakout	50	55	60	50	43	38	31	32	33
200	1	QP200C	Inlet	60	65	63	68	58	55	54	46	46
200	1	QP200C	Outlet	60	63	68	72	68	67	62	53	53
200	1	QP200C	Breakout	54	58	60	57	46	41	35	34	36
250	1	QP250C	Inlet	64	74	72	67	57	55	56	53	48
250	1	QP250C	Outlet	64	74	75	69	70	71	65	64	56
250	1	QP250C	Breakout	52	57	68	52	44	40	36	38	39
315	1	QP315C	Inlet	66	78	68	60	52	49	42	40	45
315	1	QP315C	Outlet	67	75	77	71	69	62	56	49	53
315	1	QP315C	Breakout	54	70	63	53	47	41	35	34	38
400	1	QP400C	Inlet	73	82	79	68	62	55	50	49	52
400	1	QP400C	Outlet	72	78	78	75	74	66	58	53	57
400	1	QP400C	Breakout	57	71	63	56	51	46	39	35	39
500	1	QP500C	Inlet	77	85	78	71	64	62	54	52	54
500	1	QP500C	Outlet	74	83	82	78	77	72	64	58	61
500	1	QP500C	Breakout	68	81	72	63	56	49	42	41	48

## Models & Accessories

Fan Stock Ref	Speed Controller				Anti Vibration Mounts (set of 4) Stock Ref
	Electronic	Auto	Starter	Overload	
	Stock Ref	Transfor.	Stock Ref	Stock Ref	
QP100C	SP5001	SPM5020	444744	444699	68MP033G
QP125C	SP5001	SPM5020	444744	444699	68MP033G
QP150C	SP5001	SPM5020	444744	444699	68MP033G
QP160C	SP5001	SPM5020	444744	444699	68MP033G
QP200C	SP5001	SPM5020	444744	444699	68MP033G
QP250C	SP5001	SPM5020	444744	444699	68MP033G
QP315C	SP5025	SPM5035	444744	444699	68MP033G
QP400C	SP5050	SPM5035	444744	444699	68MP033G
QP500C	SP5050	SPM5060	444744	444171	68MP033G

Fan Stock Ref	Electric			
	Heaters	Panel Filters	Bag Filters	
Stock Ref	Stock Ref	Stock Ref	Stock Ref	
QP100C	10531100T1	QPF100A	QPFB100A	
QP125C	10531125T1	QPF125A	QPFB125A	
QP150C	10531150T1	QPF150A	QPFB150A	
QP160C	-	QPF160A	QPFB160A	
QP205C	10531200T1	QPF200A	QPFB200A	
QP250C	10531250T1	QPF250A	QPFB250A	
QP315C	10531315T1	QPF315A	QPFB315A	
QP400C	10531400T3	QPF400A	QPFB400A	
QP500C	10531500T3	QPF500A	QPFB500A	

Fan Stock Ref	In-line Attenuators				Wall Terminal Stock Ref
	300mm	600mm	900mm	1200mm	
	Stock Ref	Stock Ref	Stock Ref	Stock Ref	
QP100C	83010030	83010060	83010090	-	SA100/280
QP125C	83012030	83012060	83012090	-	SA125/280
QP150C	83015030	83015060	83015090	-	SA150/280
QP160C	83016030	83016060	83016090	-	SA150/280
QP205C	-	83020060	83020090	83020120	SA200/280
QP250C	-	83025060	83025090	83025120	SA250/280
QP315C	-	83031060	83031090	83031120	SA315/280
QP400C	-	-	83040090	83040120	QSA400/280
QP500C	-	-	83050090	83050120	-