

Pull-out System Hood/SELV

- Models available with either a White or Brushed Aluminium trim
- Fits within a 600mm wide aperture (300mm deep)
- Complete with two low energy 9W lamps
- All models are fitted with a metal washable grease filter as standard
- 125mm galvanised duct connection piece
- Integral fire damper in accordance with BRE 398
- Weight: 3.7kg
- SELV hoods allow the distance between the hood and an electric hob to be reduced from 650mm to 550mm



Product

The Pull-out System Hood is designed to fit in a 600mm aperture above a hob. The telescopic hood incorporates two flat removable metal grease filters, two low energy light bulbs and is available with a White or Brushed Aluminium front trim.

The hood contains an integral fire damper in accordance with BRE Digest 398 and is connected to the mechanical ventilation unit by a galvanised steel duct connection piece. When the hood is opened the mechanical ventilation unit goes to boost speed.

Why install a cooker hood?

Steam created during the cooking process can cause moisture to form on walls and furniture. In extreme cases this can lead to mould growth. Strong smells can also be created during cooking and these can spread throughout the dwelling. Cooking oils may be vaporised when frying and this oil can be deposited in areas around the cooker.

The solution

When connected to an MEV or MVHR system, the Pull-out System Hood can be wired in such a way that when the hood part of the unit is pulled out the MEV or MVHR system will automatically switch to boost.

The Pull-out Hood System Hood comes with an integrated 125mm galvanised spigot to allow for connection to the MEV or MVHR system.

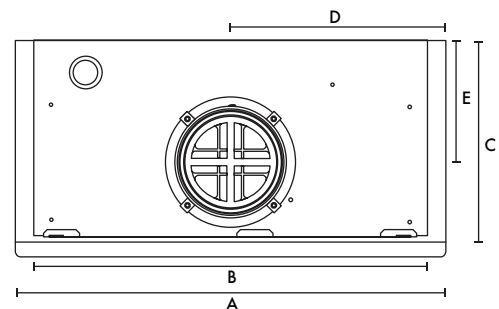
SELV hoods allow the distance between the hood and an electric hob to be reduced from 650mm to 550mm.

Models

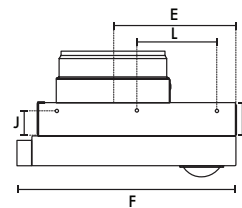
| Model | Stock ref |
|----------------|-----------|
| White | 407509 |
| Aluminium | 407206 |
| White SELV | 474790 |
| Aluminium SELV | 474791 |

Dimensions (mm)

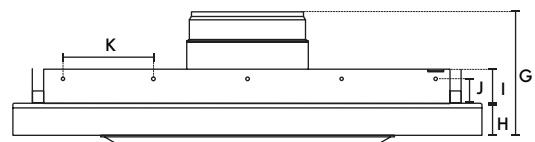
TOP



SIDE



FRONT



| A | B | C | D | E | F | G | H | I | J | K | L |
|-----|-----|-----|-----|-----|-----|-----|----|----|----|-----|-----|
| 598 | 570 | 280 | 299 | 126 | 300 | 158 | 41 | 50 | 40 | 120 | 110 |