

Lo-Carbon Sentinel Kinetic High Flow

- Recognised in SAP PCDB
- 180mm/200mm spigots
- Horizontal duct option for space-saving installations
- High airflow, ideal for student accommodation clusters
- Unique folding filter for removal when access is restricted
- Integrated digital controller for simple and accurate commissioning
- Plug and play controls; Humidistat, Ventwise, Wireless Remote
- BMS connectivity
- LS inputs (Light Switch)
- Volt-free inputs



Increased Performance

The Sentinel Kinetic Plus benefits from the latest high efficiency, backward curved impeller design, ensuring the lowest possible energy consumption, ultra quiet operation and an exceptional performance range covering small one bed apartments to the largest of houses.

Care Homes & Student Accommodation

The Sentinel Kinetic Plus is ideal for larger homes and multiple occupancy units such as care homes and student accommodation. Capable of 400m³/hr at 150Pa, the unit can extract from up to ten bathrooms and a communal kitchen while still achieving almost 90% heat recovery. The fully automatic capability of the Kinetic range means that adequate ventilation is always achieved.

The Kinetic's BMS capability is also ideal for those commercial applications where landlords or property managers want to monitor and optimise building performance and maintenance. The Kinetic BMS can provide status information and its self diagnostics can report if any fault is found.

Duct attenuators should be considered for high air-flow applications.

Spigot Options

Spigots may be re-positioned to give horizontal connection or a combination of vertical and horizontal connection.

Optional 180mm/200mm spigots can simplify connection in commercial installations where larger diameter duct work has been used.

Quick Change Filter

As many systems are placed within cupboards the unique filter design folds as you remove it to ensure easy access in restricted spaces.

Integral Humidity Sensor

The integral humidity sensor increases speed in proportion to relative humidity levels, saving energy and reducing noise. The sensor also reacts

to small but rapid increases in humidity, even if the normal trigger threshold is not reached. This unique feature ensures adequate ventilation, even for the smallest wet room. The night time relative humidity setback feature suppresses nuisance tripping as humidity gradually increases with falling temperature.

Models

| Model | Stock Ref |
|-------------------------|-----------|
| Kinetic High Flow Right | 408449 |
| Kinetic High Flow Left | 408451 |

Accessories

| Model | Stock Ref |
|---|-----------|
| Wired Remote Controller | 443283 |
| Wireless Enable Kit | 441865 |
| Wireless Transmitter Controller | 437827 |
| Ventwise Controller | 441780 |
| LED Alarm with 15m cable | 448356 |
| Opto-coupler for volt-free bms connection | 447340 |
| Kinetic Spare Filters 2 pk. | 403702 |
| M5 Pollen Filter | 444201 |

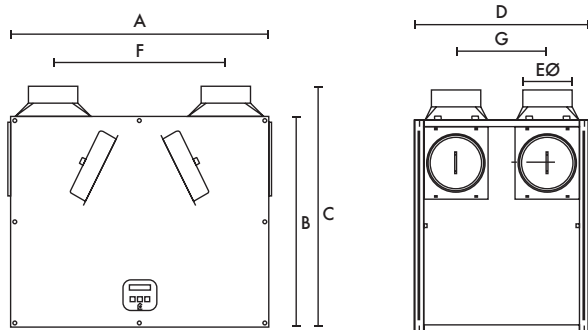
SAP PCDB Test Results

| Exhaust Terminal Configuration | Thermal Efficiency % | SFP (W/l/s) |
|--------------------------------|----------------------|-------------|
| K + 1 | 88% | 0.65 |
| K + 2 | 88% | 0.54 |
| K + 3 | 90% | 0.52 |
| K + 4 | 90% | 0.55 |
| K + 5 | 91% | 0.6 |
| K + 6 | 91% | 0.66 |
| K + 7 | 90% | 0.74 |

SEC Class

| Model | SEC Class |
|-------------------|-----------|
| Kinetic High Flow | A |

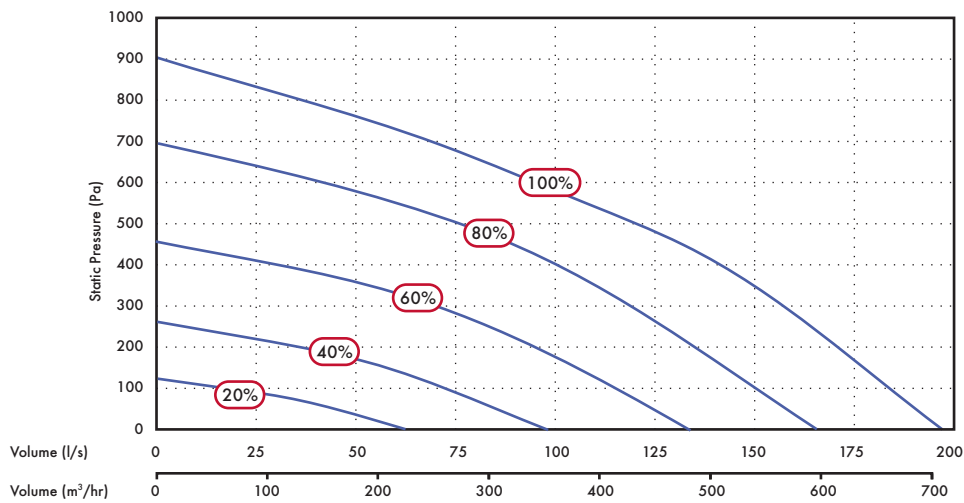
Dimensions (mm)



| A | B | C | D | EØ | F | G |
|-----|-----|-----|-----|---------|-----|-----|
| 785 | 635 | 722 | 550 | 180/200 | 520 | 275 |

Weight: 34kg

Performance



Sound Data

| Test Mode | Flow % | Octave band, Hz, dB SWL | | | | | | | | SPL dB(A) @ 3m |
|-----------|--------|-------------------------|------|------|------|------|------|------|------|-------------------|
| | | 63 | 125 | 250 | 500 | 1.0K | 2.0K | 4.0K | 8.0K | |
| Supply | 20 | 55.1 | 65.9 | 55.2 | 53.8 | 44.4 | 37.4 | 25.3 | 24.9 | 37.4 |
| Extract | | 58.2 | 57.4 | 48 | 45.6 | 43.8 | 34.5 | 20 | 24.5 | 31.1 |
| Breakout | | 43.3 | 46.6 | 44.9 | 44.7 | 41.8 | 30.4 | 21.6 | 22.5 | 25 |
| Supply | 40 | 63.1 | 69 | 67.1 | 64 | 55 | 51.6 | 39.7 | 32.4 | 46.8 |
| Extract | | 58.6 | 58.4 | 60.1 | 53.7 | 41.9 | 41.5 | 31.7 | 25.1 | 37.5 |
| Breakout | | 55.4 | 49.6 | 60.6 | 53.8 | 46.5 | 41.5 | 33.2 | 27.4 | 34 |
| Supply | 60 | 70.3 | 74.3 | 81.4 | 71.5 | 63.6 | 59.9 | 49.6 | 43.1 | 57.4 |
| Extract | | 64.4 | 64.2 | 72.6 | 59.1 | 48.7 | 45.7 | 37.8 | 29.3 | 47.6 |
| Breakout | | 62.8 | 54.6 | 65.7 | 57.2 | 55.5 | 49.2 | 41.4 | 36.4 | 40.5 |
| Supply | 80 | 75.3 | 77.9 | 88.1 | 78.7 | 68.4 | 65.1 | 56 | 50.1 | 64 |
| Extract | | 71.1 | 68.2 | 73.6 | 61.8 | 51.9 | 49.5 | 42.7 | 37.6 | 49.1 |
| Breakout | | 66.2 | 59 | 73.4 | 61.8 | 57 | 54.6 | 47.3 | 43.1 | 47.5 |
| Supply | 100 | 90.9 | 80.9 | 84.4 | 80.1 | 71.5 | 68 | 59.3 | 54.5 | 63.3 |
| Extract | | 92.4 | 71.8 | 78.1 | 67.4 | 54.9 | 51.5 | 44.6 | 41.4 | 55.1 |
| Breakout | | 69.3 | 62.9 | 74.9 | 67.5 | 59.2 | 56.6 | 49.1 | 44.7 | 49.5 |

Tested according to BS EN 13141-7:2010. Breakout quoted spherical. Supply and Extract quoted hemispherical.