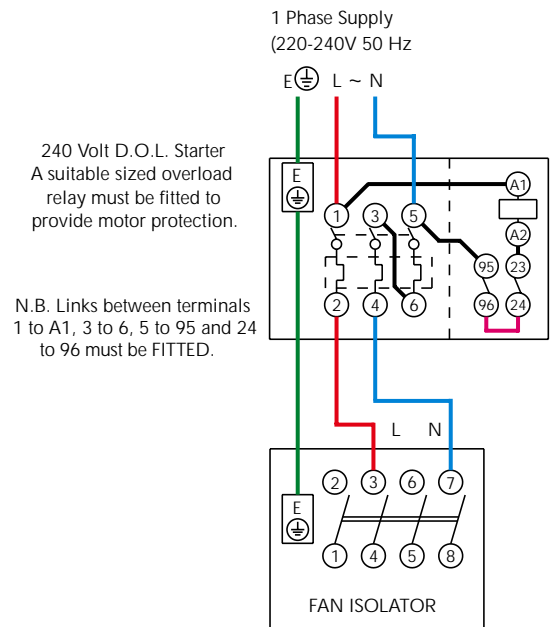


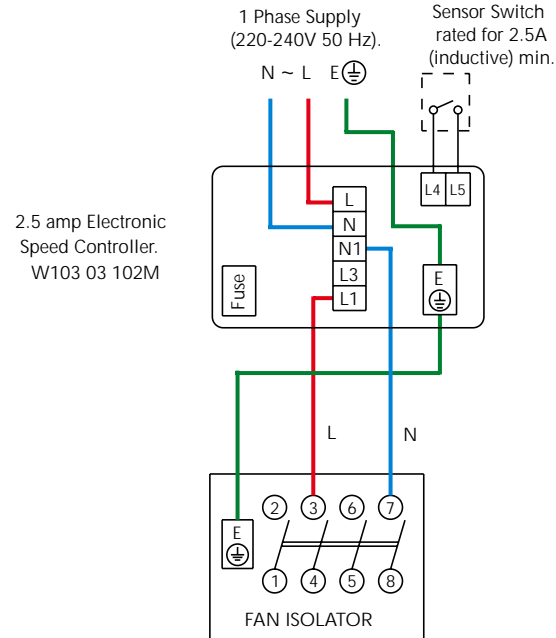
VENT-AXIA CENTRIFUGAL ROOF FANS WIRING DIAGRAMS

SINGLE PHASE FAN CONNECTED TO A D.O.L. STARTER



- | | | | |
|------------|------------|------------|------------|
| RBH 250-12 | RBH 315-14 | RBH 315-16 | RBH 400-18 |
| RBH 355-14 | RBH 355-16 | RBH 450-18 | |
| RBH 400-14 | RBH 400-16 | RBH 500-18 | |
| RBH 450-14 | RBH 450-16 | | |
| RBH 500-14 | RBH 500-16 | | |

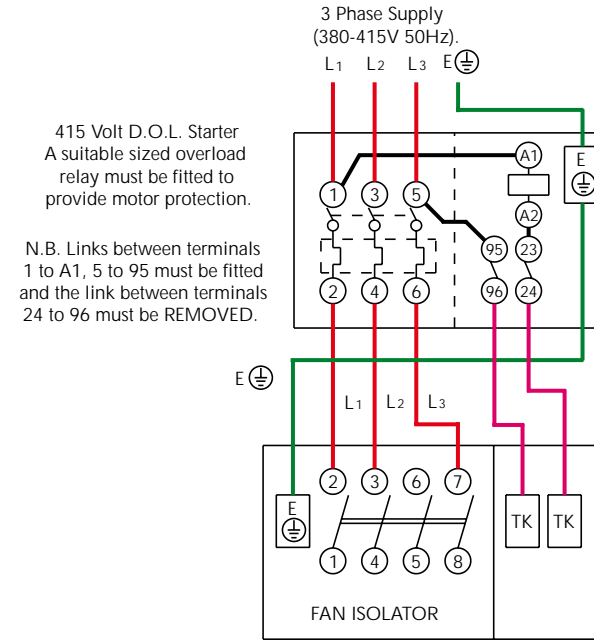
SINGLE PHASE FAN CONNECTED TO A 2.5 AMP ELECTRONIC SPEED CONTROLLER



- | | | | |
|------------|------------|------------|------------|
| RBH 250-12 | RBH 315-14 | RBH 315-16 | RBH 400-18 |
| RBH 355-14 | RBH 355-16 | RBH 450-18 | |
| RBH 400-14 | RBH 400-16 | RBH 500-18 | |
| | RBH 450-16 | | |
| | RBH 500-16 | | |

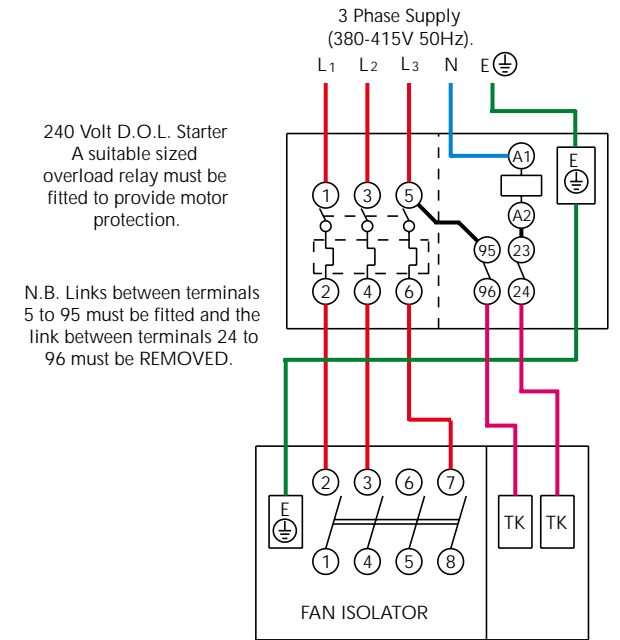
CENTRIFUGAL ROOF FANS WIRING DIAGRAMS

THREE PHASE FAN CONNECTED TO A 415V COIL D.O.L. STARTER



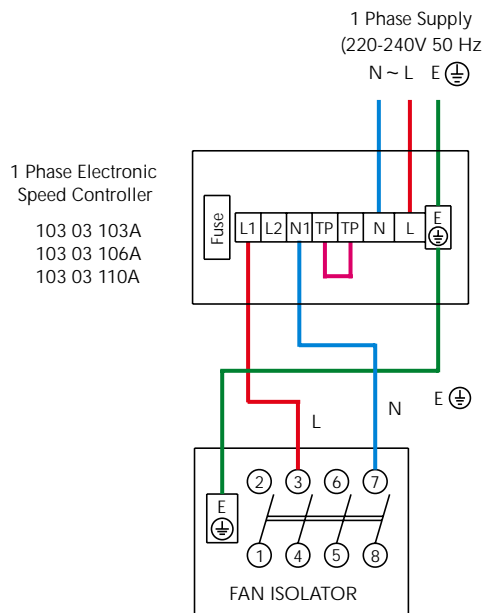
- | | | |
|------------|------------|------------|
| RBH 400-34 | RBH 400-36 | RBH 400-38 |
| RBH 450-34 | RBH 450-36 | RBH 450-38 |
| RBH 500-34 | RBH 500-36 | RBH 500-38 |
| RBH 560-34 | RBH 560-36 | RBH 560-38 |
| RBH 630-34 | RBH 630-36 | RBH 630-38 |
| | RBH 710-36 | RBH 710-38 |

THREE PHASE FAN CONNECTED TO A 240V COIL D.O.L. STARTER



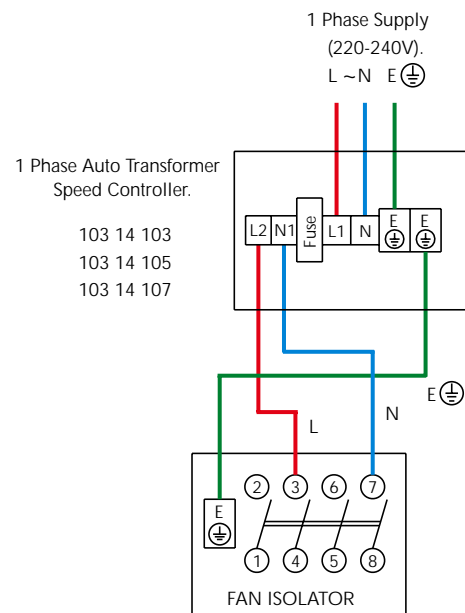
- | | | |
|------------|------------|------------|
| RBH 400-34 | RBH 400-36 | RBH 400-38 |
| RBH 450-34 | RBH 450-36 | RBH 450-38 |
| RBH 500-34 | RBH 500-36 | RBH 500-38 |
| RBH 560-34 | RBH 560-36 | RBH 560-38 |
| RBH 630-34 | RBH 630-36 | RBH 630-38 |
| | RBH 710-36 | RBH 710-38 |

SINGLE PHASE FAN CONNECTED TO A 3.0, 6.0 OR 10.0 AMP ELECTRONIC SPEED CONTROLLER



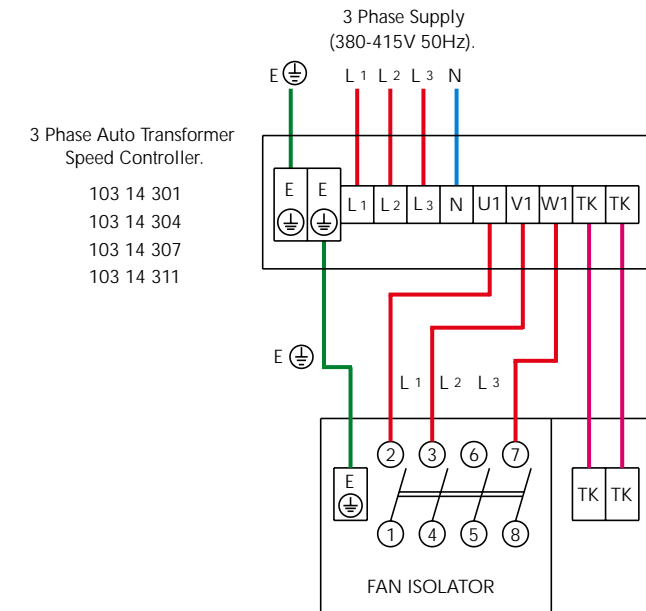
- | | | | |
|------------|------------|------------|------------|
| RBH 250-12 | RBH 315-14 | RBH 315-16 | RBH 400-18 |
| RBH 355-14 | RBH 355-16 | RBH 450-18 | |
| RBH 400-14 | RBH 400-16 | RBH 500-18 | |
| RBH 450-14 | RBH 450-16 | | |
| RBH 500-14 | RBH 500-16 | | |

SINGLE PHASE FAN CONNECTED TO A 3.0, 5.0 OR 7.5 AMP AUTO TRANSFORMER SPEED CONTROLLER



- | | | | |
|------------|------------|------------|------------|
| RBH 250-12 | RBH 315-14 | RBH 315-16 | RBH 400-18 |
| RBH 355-14 | RBH 355-16 | RBH 450-18 | |
| RBH 400-14 | RBH 400-16 | RBH 500-18 | |
| RBH 450-14 | RBH 450-16 | | |
| RBH 500-14 | RBH 500-16 | | |

THREE PHASE FAN CONNECTED TO A 1.4, 4.0, 7.0 OR 11.0 AMP AUTO TRANSFORMER SPEED CONTROLLER



- | | | |
|------------|------------|------------|
| RBH 400-34 | RBH 400-36 | RBH 400-38 |
| RBH 450-34 | RBH 450-36 | RBH 450-38 |
| RBH 500-34 | RBH 500-36 | RBH 500-38 |
| RBH 560-34 | RBH 560-36 | RBH 560-38 |
| RBH 630-34 | RBH 630-36 | RBH 630-38 |
| | RBH 710-36 | RBH 710-38 |