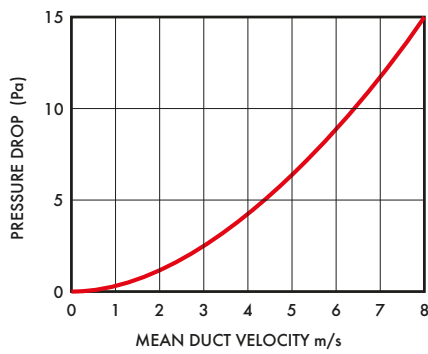




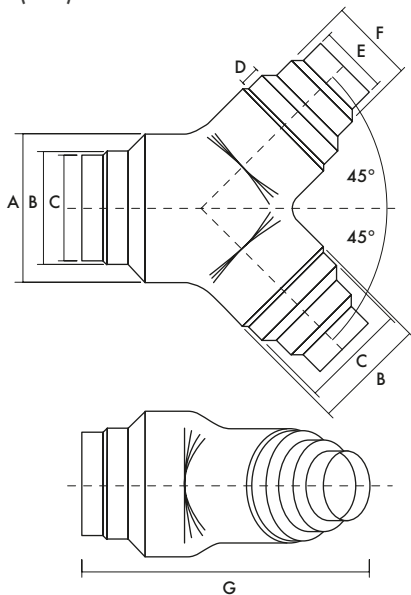
### 3-Way Splitter

For dividing a ventilation system, providing ducting to multiple supply or extract grilles using only a single fan source. Manufactured from high impact polymeric material with a maximum operating temperature of +50°C.

### Resistance Graph



### Dimensions (mm)



Stock Ref	AØ	BØ	CØ	D	EØ	FØ	G
10551250	-	250	200	45	150	-	500
10553400	400	315	300	45	200	250	625



### Duct 'Y' Piece

For dividing a ventilation system, providing ducting to multiple supply or extract grilles using only a single fan source. Available in fire retardant ABS.

### Dimensions (mm)

Vent-Axia Duct Y Piece		
2 x Dia.	Into 1 x Dia.	Stock Ref
100	100	452081
100	150	452082
125	125	455211
125	150	455212
150	150	452083
150	200	452084
200	200	452085
200	250	452078
250	250	452076
250	300	452079