

Vent-Axia[®]

Internal Fit Wall Kit



Installation Instructions

Stock Ref. No.

472318 - White

472319 - Brown

474779 - White with Shutter

474780 - Brown with Shutter

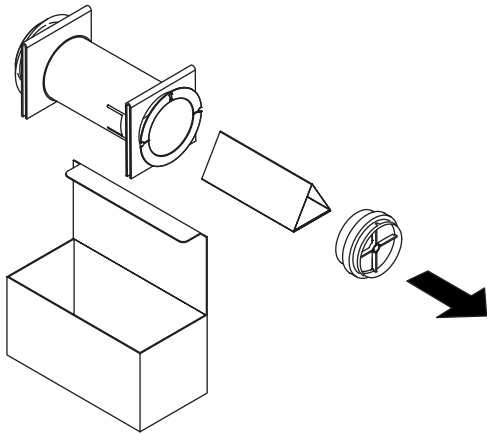
Please read these instructions carefully before commencing installation.

Please retain these instructions with the product.



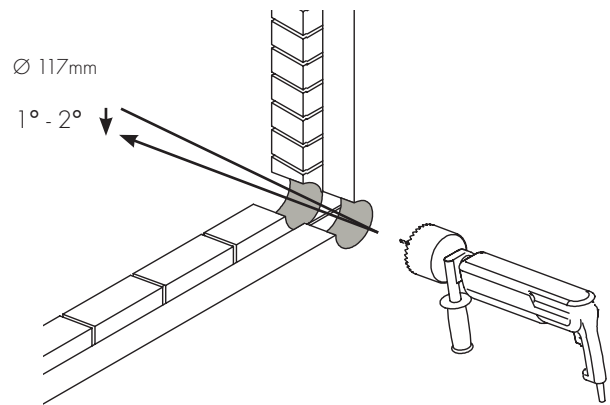
Step 1

Open box, gently slide the backdraught shutter out of the pipe (474779 & 474780 only). Remove folded push piece.



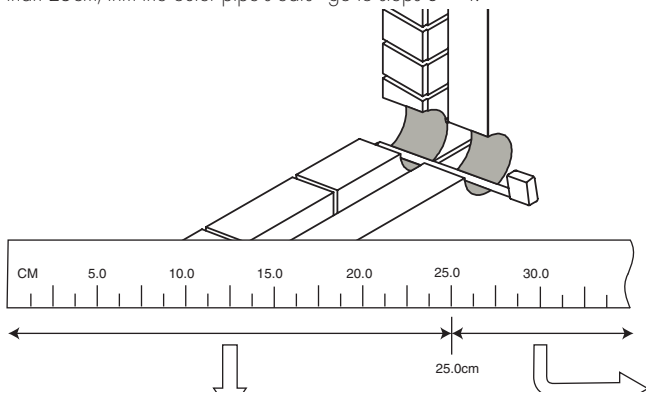
Step 2

Drill hole 117mm diameter angled downwards 1° - 2° all the way through wall to outside.

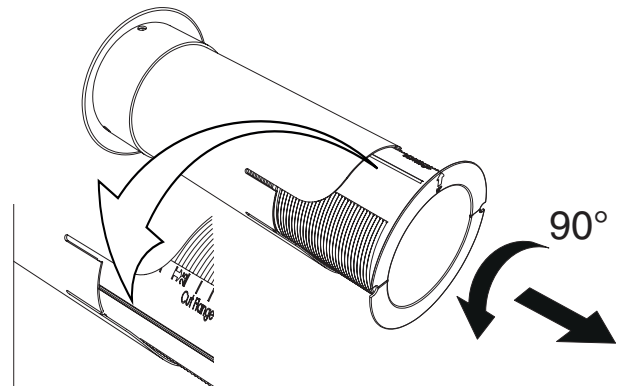


Step 3

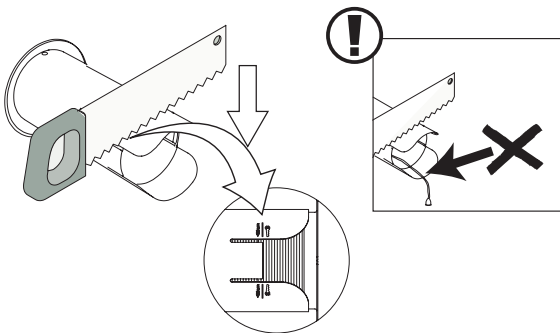
Measure hole and note length, if deeper than 25cm, go to step 5. If shorter than 25cm, trim the outer pipe's ears - go to steps 3 + 4.



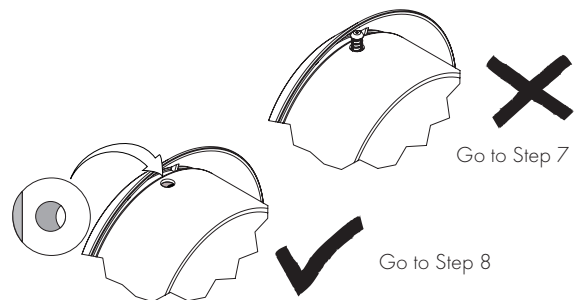
Step 4



Step 5

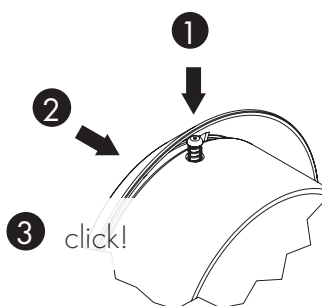


Step 6



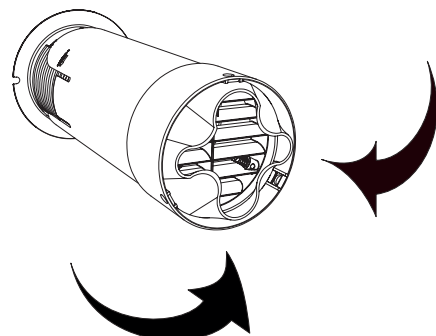
Step 7

1. Push the locking pin down.
2. Push the grille inwards so the head of the locking pin is under the outer pipe.
3. When it **CLICKS!** it is in place.
4. Repeat for each one of the three pins.



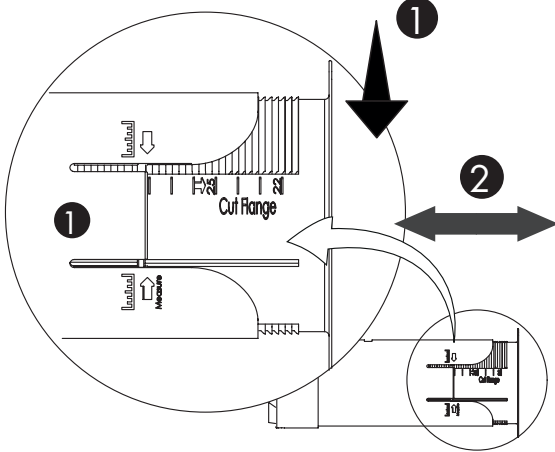
Step 8

Fold seal inwards, push grille and seal into tube.



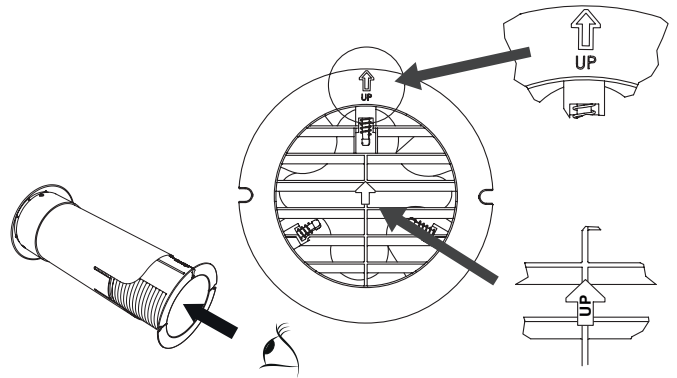
Step 9

1. Rotate inner tube until ridge up lines up with slot.
2. Slide inner tube in or out to match depth of hole measured in step 2.



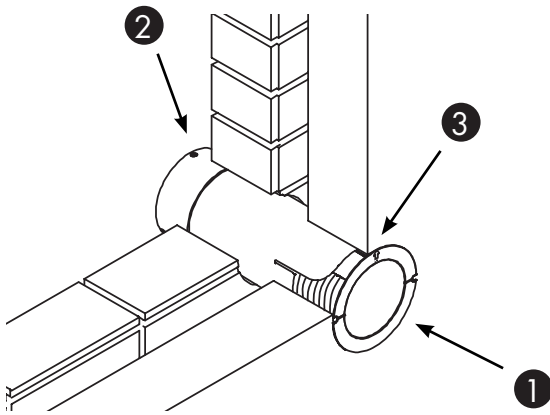
Step 10

Look down the pipe and check that the two arrows are lined up and both facing upwards.



Step 11

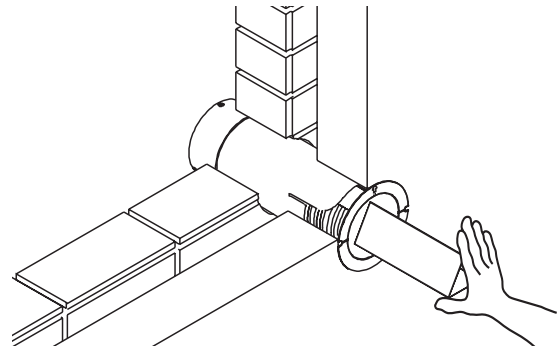
1. Push wall kit through wall
2. Ensure locking pins are outside wall.
3. Check arrow is at top



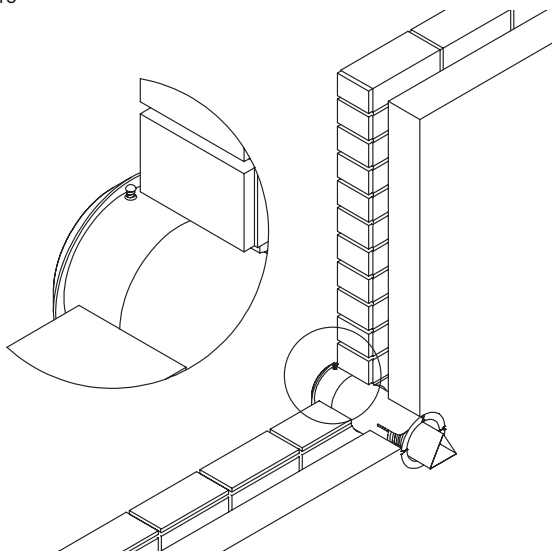
Step 12

Insert folded cardboard into duct and gently push. The seal will pop out and unfold, the locking pins will extend. Stop pushing when you hear the CLICK! of the locking pins - see overpage.

4. Check arrow is at top

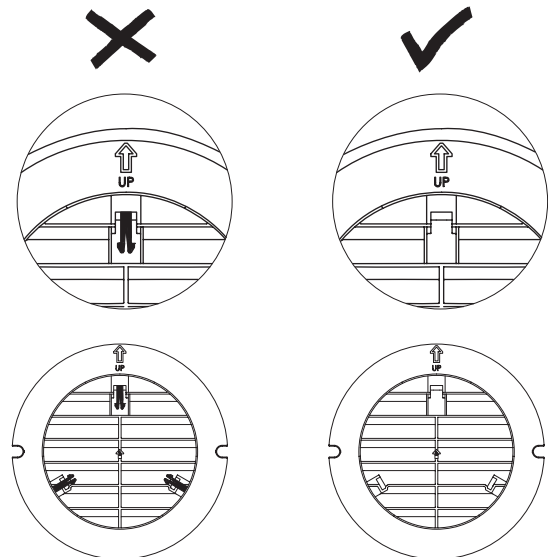


Step 13



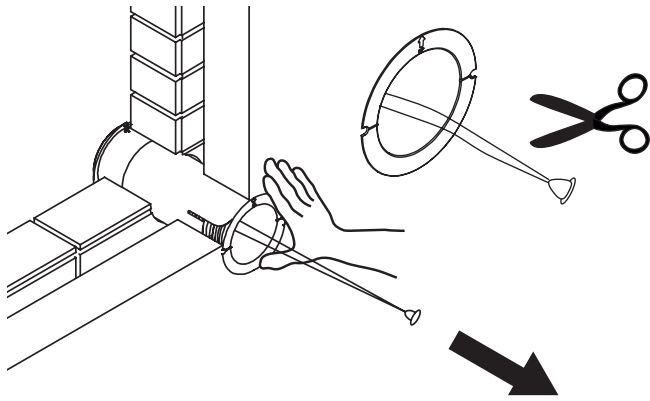
Step 14

Check all 3 pins are out



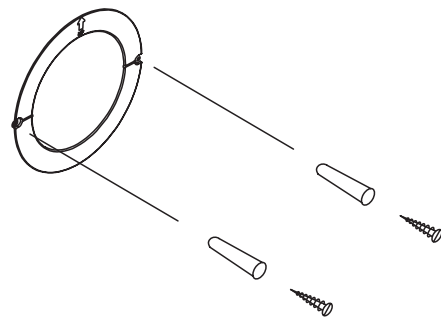
Step 15

Hold duct flange firmly against the wall. Using the toggle pull to ensure wall kit is tight in the hole.



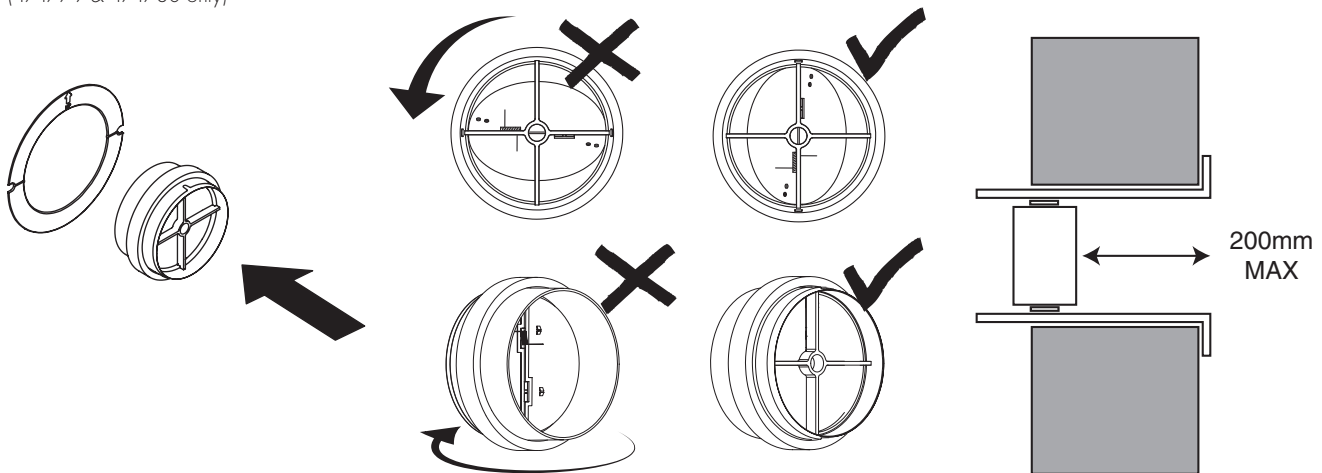
Step 16

Using supplied screws and rawl plugs attach flange to wall.



Step 17

(474779 & 474780 only)



The Vent-Axia Guarantee

Applicable only to products installed and used in the United Kingdom. For details of guarantee outside the United Kingdom contact your local supplier.

Vent-Axia guarantees its products for two years from date of purchase against faulty material or workmanship. In the event of any part being found to be defective, the product will be repaired, or at the Company's option replaced, without charge, provided that the product:-

- Has been installed and used in accordance with the instructions given with each unit.
- Has not been connected to an unsuitable electricity supply. (The correct electricity supply voltage is shown on the product rating label attached to the unit).
- Has not been subjected to misuse, neglect or damage.
- Has not been modified or repaired by any person not authorised by the company.

IF CLAIMING UNDER TERMS OF GUARANTEE

Please return the complete product, carriage paid to your original supplier or nearest Vent-Axia Centre, by post or personal visit. Please ensure that it is adequately packed and accompanied by a letter clearly marked "Guarantee Claim" stating the nature of the fault and providing evidence of date and source of purchase.

The guarantee is offered to you as an extra benefit, and does not effect your legal rights

Head Office: Fleming Way, Crawley, West Sussex, RH10 9YX.

UK NATIONAL CALL CENTRE, Newton Road, Crawley, West Sussex, RH10 9JA

SALES ENQUIRIES: Tel: 0344 8560590 Fax: 01293 565169
TECHNICAL SUPPORT Tel: 0344 8560594 Fax: 01293 532814

For details of the warranty and returns procedure please refer to www.vent-axia or write to Vent-Axia Ltd, Fleming Way, Crawley, RH10 9YX