

VENT-AXIA SALES CENTRES

ENGLAND & WALES NATIONAL CALL CENTRE

Newton Road, Crawley
West Sussex
RH10 9JA

Telephone: 01293 530202
Fax: 01293 565169

NORTHERN IRELAND

Telephone: 02890 402220
Fax: 01293 565169

SCOTLAND

Telephone: 0141 429 1166
Fax: 01293 565169

REPUBLIC OF IRELAND

Vent-Axia Ventilation Ltd.
921 Western Industrial Estate
Naas Road, Dublin 12.

Telephone: (01) 450 4133
Fax: (01) 450 4570

Did you find these instructions easy to use?

We value your comments, contact us via:

email: info@vent-axia.com

The Vent-Axia Guarantee

Applicable only to products installed and used in the United Kingdom. For details of the guarantee outside the United Kingdom contact your local supplier.

Vent-Axia guarantees its products for two years from the date of purchase against faulty material or workmanship. In the event of any part being found to be defective, the product will be repaired, or at the Company's opinion replaced, without charge, provided that the product:

- 1) has been installed and used in accordance with the instructions given with each unit.
- 2) has not been connected to an unsuitable electricity supply (The correct electricity supply voltage is shown on the product rating label attached to the unit).
- 3) has not been subjected to misuse, neglect or damage.
- 4) has not been modified or repaired by any person not authorised by the Company.

IF CLAIMING UNDER THE TERMS OF THE GUARANTEE

please return the complete product, carriage paid to your original supplier or nearest Vent-Axia Centre, by post or in person. Please ensure that it is adequately packed and accompanied by a letter clearly marked 'Guarantee Claim' stating the nature of the fault and providing proof of date and source of purchase.

As part of the policy of continuous product improvement Vent-Axia reserve the right to alter specifications without notice.

Vent-Axia

Head Office: Fleming Way, Crawley, West Sussex RH10 9YX
Tel: 01293 526062 Fax: 01293 551188
Internet site at: www.vent-axia.com

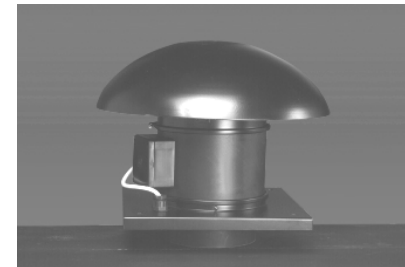
Vent-Axia®

ACR IN-LINE MIXED FLOW ROOF FANS

Installation and Wiring Instructions

Stock Ref. N°

ACR 150
ACR 200
ACR 250
ACR 315



SAFETY INSTRUCTIONS FOR AIR MOVING EQUIPMENT

Air moving equipment may present mechanical, electrical or noise hazards. To minimise risks associated with these potential hazards, it is essential that safety, installation, operation and maintenance instructions are followed. Implementation of these instructions should always be undertaken by a technically competent person.

Potential mechanical hazards must be eliminated by guarding against access to the rotating parts whilst the air moving equipment is operating. A range of guards are available from Vent-Axia.

Installation work, both mechanical and electrical, must be undertaken in accordance with the safety and installation instructions before switching on the fan.

Isolating the fan and its controls from the electrical supply before carrying out any maintenance work and ensuring that it can not be accidentally switched on. It is essential to ensure that rotating parts have completely stopped before commencing any work.

Air moving equipment may generate unacceptable noise levels when operating. Actual sound levels are indicated in the Vent-Axia catalogue for each product and it may be necessary to take appropriate action to reduce sound levels. A range of products are available for this purpose from Vent-Axia.

ACR IN-LINE MIXED FLOW ROOF FANS



IMPORTANT – READ THESE INSTRUCTIONS FULLY BEFORE COMMENCING THE INSTALLATION

1. Ensure that the mains supply voltage, frequency, number of phases and power rating comply with the details on the rating labels.
2. All wiring must be in accordance with current I.E.E. regulations, BS7671, or the appropriate standards in your country. The fan must be supplied through a double pole isolating switch having a contact separation of not less than 3mm. We recommend that wiring of the equipment terminal box may be made in flexible conduit to facilitate easy maintenance.
3. When a fan is used to remove air from a room containing a fuel burning appliance, the installer must ensure that air replacement is adequate for both the fan and the fuel burning appliance. If a fan is used to supply air into a room, the installer must ensure that the fan intake is located at least 600mm away from any flue outlet.
4. This equipment should not be used where it is liable to be subjected to water spray from hoses, etc., or where temperatures may exceed 50°C.
5. Where ducted fans are used to handle moisture laden air, a condensation trap should be fitted and horizontal ducts should be arranged to slope slightly downwards away from the fan unit.

FAN MOUNTING

1. The roof extract fan is designed for connection to circular ductwork. Ductwork of less than 1.5m must incorporate a suitable guard.
2. The fan is suitable for mounting on an upstand (see details in the catalogue). When fitting the fan assembly it should be sealed with a suitable weatherproof sealing compound.
3. Plan the installation carefully, taking into consideration the important points noted above, before securely mounting the fan using appropriate screws, etc.

OVER-HEATING PROTECTION

The fan motor is fitted with Standard Thermal Overload Protection. This will automatically switch the fan off in the event of a fault condition. If this occurs isolate the fan, check for and remove any obstruction, leave for a short period for the motor to cool before reconnecting. If this recurs, isolate and call a service engineer.


ROUTINE INSPECTION/MAINTENANCE – ISOLATE UNIT FROM ELECTRICAL SUPPLY AND ENSURE THAT IT CANNOT BE ACCIDENTALLY TURNED BACK ON.

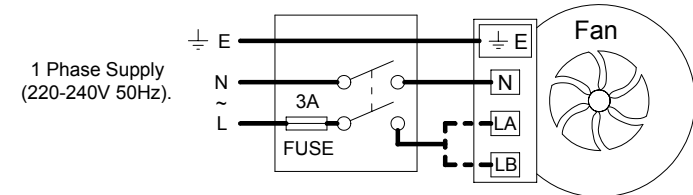
1. We recommend that after three months the fan should be inspected to ensure there is no build up of dirt or other deposits on the impeller or motor. Thereafter, it should be checked periodically as experience dictates, or at least twice a year.
2. If the fan is handling dust laden air, we recommend that a filter is fitted to the system, (Suitable filters are available from Vent-Axia Ltd).

All Vent-Axia Airtrak fan motors are fitted with sealed for life bearings and therefore do not require lubrication.



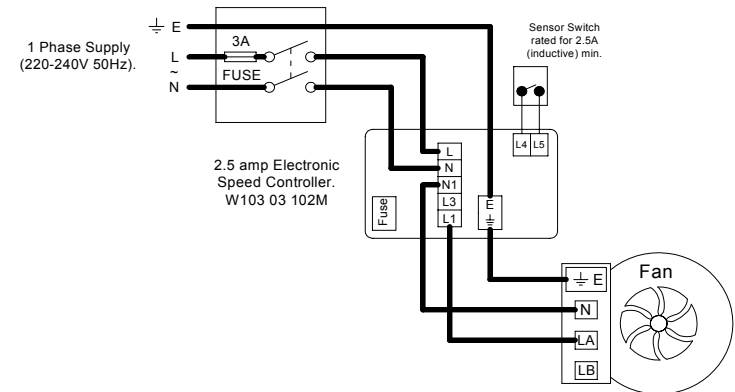
CONNECTIONS

N.B. MODEL SIZE ACR 150 FAN IS DOUBLE INSULATED AND CARRIES A  MARK. THERE IS NO EARTH TERMINAL AND THE FAN MUST NOT BE EARTHED.



CONNECT THE LIVE SUPPLY TO TERMINAL LA FOR HIGH SPEED OR LB FOR LOW SPEED.

WIRING DIAGRAM FOR A FAN WITH A SPEED CONTROLLER.



N.B. If fan is used in conjunction with a Vent-Axia Speed Controller the LA (High Speed) terminal **MUST be used.**