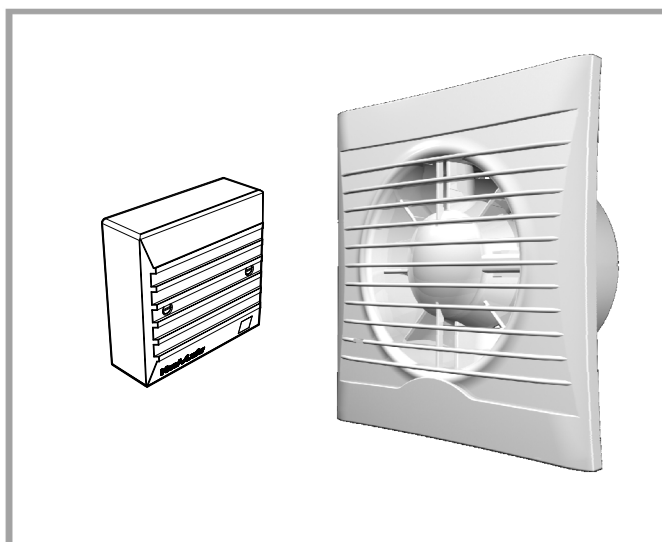


# Silhouette

## Lo-Carbon SELV RANGE

### Installation and Wiring Instructions



#### Stock Ref. N°

441511A	(100SVB)
441512A	(100SVT)
441513A	(100SVH)

FAN UNITS 12V DC SELV (CLASS III)  
CONTROLLER 220-240V 50Hz MAINS SUPPLY (CLASS II)  
WITH 12V DC SELV OUTPUT

# Vent-Axia®

PLEASE READ INSTRUCTIONS IN CONJUNCTION WITH ILLUSTRATIONS.  
PLEASE SAVE THESE INSTRUCTIONS.

IPX7



## Installation and Wiring Instructions for the Lo-Carbon Silhouette SELV Fan & Controller.



**IMPORTANT:  
READ THESE INSTRUCTIONS  
BEFORE COMMENCING THE  
INSTALLATION**

DO NOT install this product in areas where the following may be present or occur:

- Excessive oil or a grease laden atmosphere.
- Corrosive or flammable gases, liquids or vapours.
- Ambient temperatures higher than 40°C or less than -5°C.
- Possible obstructions which would hinder the access or removal of the Fan.

### **SAFETY AND GUIDANCE NOTES**

- A. All wiring to be in accordance with the current I.E.E. Regulations, or the appropriate standards of your country and **MUST** be installed by a suitably qualified person.
- B. The Fan should be provided with a local isolator switch capable of disconnecting all poles, having a contact separation of at least 3mm.
- C. Ensure that the mains supply (Voltage, Frequency, and Phase) complies with the rating label.
- D. The Fan should only be used in conjunction with the appropriate Vent-Axia products.
- E. The fan should only be used in conjunction with fixed wiring.
- F. When the Fan is used to remove air from a room containing a fuel-burning appliance, ensure that the air replacement is adequate for both the fan and the fuel-burning appliance.
- G. The Fan should not be used where it is liable to be subject to direct water spray for prolonged periods of time.
- H. Where ducted Fans are used to handle moisture-laden air, a condensation trap should be fitted. Horizontal ducts should be arranged to slope slightly downwards away from the Fan.
- I. This appliance can be used by children aged from 8 years and above and persons with reduced physical, sensory and mental capabilities, or lack of experience and knowledge, if they have been given supervision or instruction concerning the use of the appliance in a safe way and understand the hazards involved.
- J. Young children should be supervised to ensure that they do not play with the appliance.
- K. The **exterior** grille should be at least 2.3m above the ground to prevent people from being able to access moving parts. If the **external** grille is positioned between 0-2.3m from the ground, Please use the Vent-Axia wall kit as detailed below to ensure people cannot access the fans impeller from the outside.

**IMPORTANT:- ONLY CONNECT TOGETHER PRODUCTS FROM THE LO-CARBON SILHOUETTE SELV RANGE SINCE THE FANS ARE SPECIALLY DESIGNED TO WORK ON 12V DC AND ARE NOT COMPATIBLE WITH OTHER VENT-AXIA CONTROLLERS. DO NOT CONNECT MORE THAN ONE FAN TO THE CONTROLLER.**

### **DESCRIPTION**

The Lo-Carbon Silhouette SELV range from Vent-Axia is a 100mm extract fan for domestic bathrooms and WC's available as wall or panel mounted models. Model options with shutter, timer and auto humidity control.

### **ACCESSORIES** (not supplied)

A range of 100mm wall kits are available for installing into most walls using telescopic liners supplied. (White – 254102, Brown – 254100)

## **A. INSTALLATION**

### **SITING THE CONTROLLER**

1. The controller must not be installed in a shower cubicle or enclosure. It must be sited away from direct sources of water spray and out of reach (1.5m) of a person using a fixed bath or shower.
2. Site away from direct sources of heat. Ambient temperature range 0 to 40°C. Do not site in an area containing excessive levels of grease.
3. Decide where to site the controller and fan (see section siting the fan), and work out the required cable runs.

### **SITING THE FAN**

1. The electrical supply to this fan is 12V DC SELV from the mains controller. This means that the fan may be installed within reach of a person using a fixed bath or shower, i.e. in a nearby wall. However, the fan must not be placed where it could be submerged in water or regularly exposed to direct water spray, e.g. from a shower head whether permanently fixed or movable.
2. Site away from direct sources of heat. Ambient temperature range 0 to 40°C. Do not site in an area containing excessive levels of grease.
3. If the fan is installed in a room containing a fuel burning appliance the installer must ensure that air replacement is adequate for both the fan and the fuel burning appliance. If the fan is used to supply air into the room the installer must ensure that the fan intake is located at least 600mm Away from any flue outlet.
4. Ducted Applications. These fans can be used with short lengths of rigid ducting, but check details first with your Vent-Axia sales centre. Where an excessive amount of moisture is present in the air, a condensation trap will need to be installed in the exhaust duct. Horizontal ducts should slope away from the fan unit. Ducts passing through an unheated roof void should be insulated.
5. A short circuit of the airflow should always be avoided by siting the fan as far away as possible from and opposite to the main source of air replacement. FIG.1

### **PANEL/CEILING MOUNTING**

**IMPORTANT:** The fan should be installed into a closed duct system or protected by an exterior air grille.

1. Cut a 105mm diameter hole in the fixing surface.
2. Remove the grille by loosening the screw at the bottom of the grille.
3. Mark the screw centres through the holes in the fan back plate. Drill, plug and screw into position.
4. Securely attach ducting.
5. Replace grille and tighten the screw.

### **WALL MOUNTING (Wall kit not supplied – see Accessories above)**

1. Cut a 115mm diameter hole through the wall and insert the wall sleeve with the large diameter sleeve on the outside. Slope the sleeve slightly downwards away from the fan. Cement both ends into position flush with the wall faces.
2. Remove the grille by loosening the screw at the bottom of the grille.
3. Mark the screw centres on the wall through the holes of the fan back plate. Drill plug and screw into position.
4. Repeat for the external grille sub-frame. Fix exterior grille into position with the louvres positioned downwards.

***AFTER INSTALLATION ENSURE IMPELLER ROTATES FREELY***

## B. WIRING.



**WARNING: THE FAN AND ANCILLARY CONTROL EQUIPMENT MUST BE ISOLATED FROM THE POWER SUPPLY DURING THE INSTALLATION / OR MAINTENANCE.**

### IMPORTANT

- **The Controller MUST** be surface mounted to allow air to freely circulate around the unit. When installed in a loft void it **MUST NOT** be enclosed or covered with insulation.
- The fan should only be used in conjunction with fixed wiring.
- The cross - sectional area of supply cord used should be ranged from 1 -1.5mm<sup>2</sup>.
- Cable entry can only be made from the rear of the fan.

1. Select and follow the appropriate wiring diagram (Fig. 2 & 3).
2. Check all connections have been made correctly and ensure all terminal connections and cable clamps are securely fastened.
3. Ensure the impeller rotates and is free from obstructions.

## C. SETUP



**WARNING: THE FAN AND ANCILLARY CONTROL EQUIPMENT MUST BE ISOLATED FROM THE POWER SUPPLY DURING THE INSTALLATION / OR MAINTENANCE.**

### ACCESSING THE CONTROL SETTINGS – (Fig. 4)

1. Loosen the screw in the bottom of the grille and remove the front grille.
2. Carefully pull the inner cap from the centre of the fan away from the chassis.
3. Adjust the settings as outlined below.

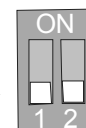
#### SPEED SETTING:

**BEFORE SETTING THE SPEED, SWITCH OFF THE MAINS SUPPLY. SPEED SHOULD ONLY BE SET BEFORE OR DURING INSTALLATION.**

The fan has two speed settings for different installation requirements:

#### 1) High speed:

- 100SVT and 100SVH models: Dip switch 2 in the 'OFF' position. (Fig.5 – and right)
- 100SVB model: Remove jumper. (Fig.5)



High speed (T & H)

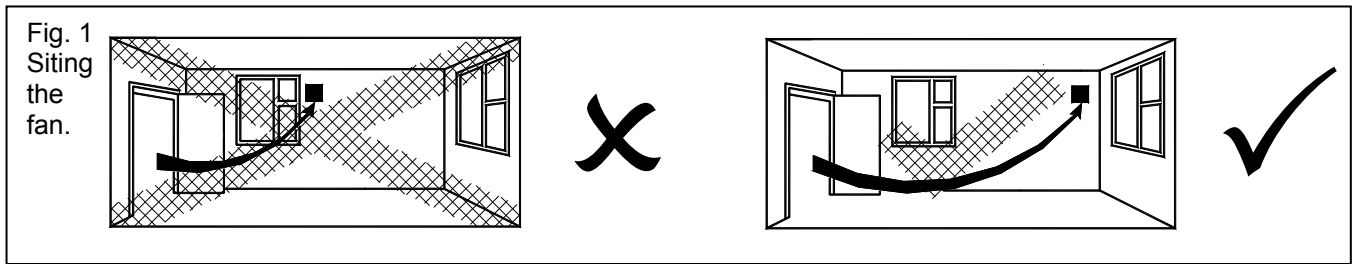
#### 2) Low speed (Factory set):

- 100SVT and 100SVH models: Dip switch 2 should be in the 'ON' position. (Fig.5 – and right)
- 100SVB model: Replace jumper. (Fig.5)

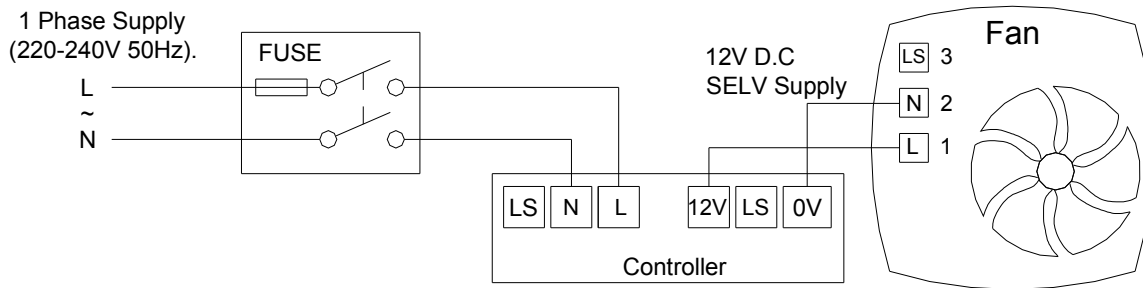


Low speed (T & H)

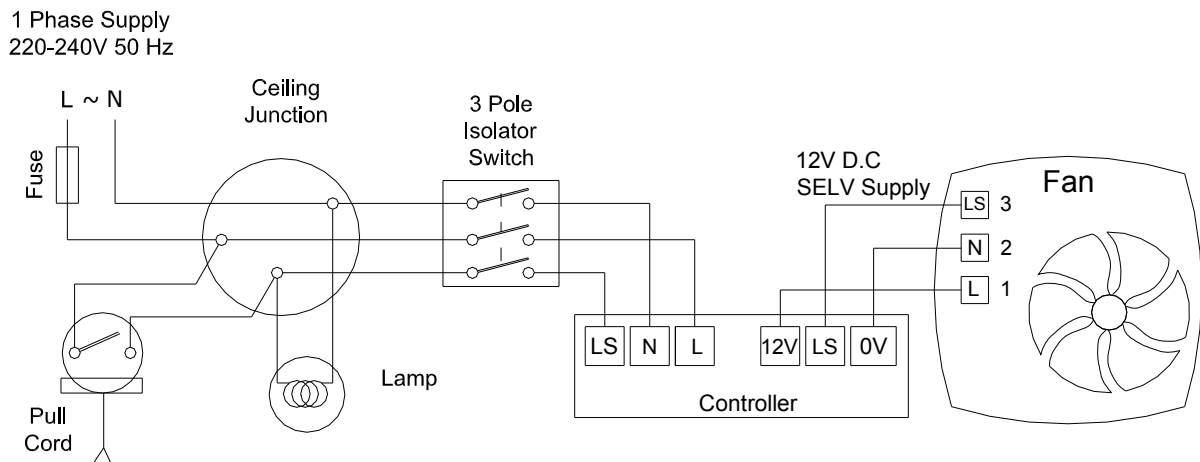
Dip switch 1 should be in the 'OFF' position (100SVT and 100SVH models only).



**Fig. 2.**  
**Lo-Carbon Silhouette 100SVB**



**Fig. 3.**  
**Lo-carbon Silhouette 100SVT & 100SVH**



## **TIMER ADJUSTMENT (100SVT AND 100SVH MODELS)**

*BEFORE ADJUSTING THE TIMER, SWITCH OFF THE MAINS SUPPLY.  
TIMER SHOULD ONLY BE ADJUSTED BEFORE OR DURING INSTALLATION.*

1. Remove the fan grille. The overrun timer is factory set to approximately 15 minutes. This timer period can be adjusted between approximately 3-30 minutes by altering the adjuster on the control PCB.
2. To REDUCE the operating time, use a small screwdriver to turn the adjuster Fig.5. CLOCKWISE.
3. To INCREASE the operating time, use a small screwdriver to turn the adjuster Fig.5. ANTI-CLOCKWISE.
4. Replace the fan grille.

## **HUMIDITY SET-POINT ADJUSTMENT (100SVH MODEL ONLY)**

*BEFORE ADJUSTING THE CONTROLLER, SWITCH OFF THE  
MAINS SUPPLY. HUMIDISTAT SHOULD ONLY BE ADJUSTED BEFORE  
OR DURING INSTALLATION.*

1. Remove the fan grille. The controller is factory set to switch on at about 70% RH. The humidity set point can be adjusted from 65-95%RH by altering the adjuster on the control PCB.
2. To LOWER the set-point use a small screwdriver to turn the adjuster Fig.5. ANTI-CLOCKWISE. This makes the controller MORE sensitive.
3. To RAISE the set-point use a small screwdriver to turn the adjuster Fig.5. CLOCKWISE. This makes the controller LESS sensitive.
4. Replace the fan grille.

## LED Operation

The LED will be on whenever the fan is running.

## C. SERVICING AND MAINTENANCE.



**WARNING: THE FAN AND ANCILLARY CONTROL EQUIPMENT MUST BE ISOLATED FROM THE POWER SUPPLY DURING MAINTENANCE.**

1. At intervals appropriate to the installation, the fan should be inspected and cleaned to ensure there is no build up of dirt or other deposits.
2. Wipe the inlets and front face with a damp cloth until clean.

**This Lo-Carbon fan has sealed for life bearings, which do not require lubrication.**

Fig.4. Accessing the control settings

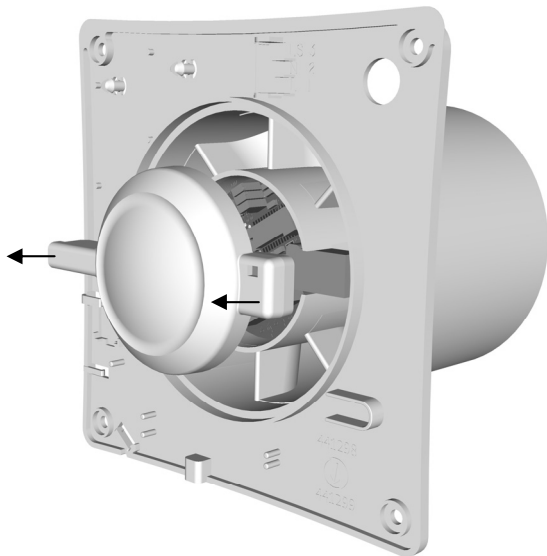
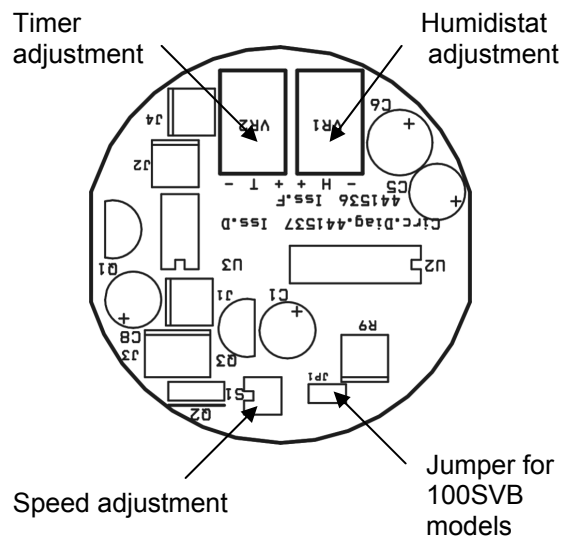


Fig.5.



## The **Vent-Axia**® Guarantee

Applicable only to products installed and used in the United Kingdom. For details of guarantee outside the United Kingdom contact your local supplier.

Vent-Axia guarantees its products for two years from date of purchase against faulty material or workmanship. In the event of any part being found to be defective, the product will be repaired, or at the Company's option replaced, without charge, provided that the product:-

- Has been installed and used in accordance with the instructions given with each unit.
- Has not been connected to an unsuitable electricity supply. (The correct electricity supply voltage is shown on the product rating label attached to the unit).
- Has not been subjected to misuse, neglect or damage.
- Has not been modified or repaired by any person not authorised by the company.

Vent-Axia Lo-Carbon products offer an extended guarantee on the motor to 5 years

### IF CLAIMING UNDER TERMS OF GUARANTEE

Please return the complete product, carriage paid to your original supplier or nearest Vent-Axia Centre, by post or personal visit. Please ensure that it is adequately packed and accompanied by a letter clearly marked "Guarantee Claim" stating the nature of the fault and providing evidence of date and source of purchase.

The guarantee is offered to you as an extra benefit, and does not effect your legal rights

# **Vent-Axia**®

Head Office: Fleming Way, Crawley, West Sussex, RH10 9YX.

**UK NATIONAL CALL CENTRE**, Newton Road, Crawley, West Sussex, RH10 9JA

SALES ENQUIRIES: Tel: 0844 8560590 Fax: 01293 565169

TECHNICAL SUPPORT: Tel: 0844 8560595 Fax: 01293 539209

For details of the warranty and returns procedure please refer to [www.vent-axia.com](http://www.vent-axia.com) or write to Vent-Axia Ltd, Fleming Way, Crawley, RH10 9YX