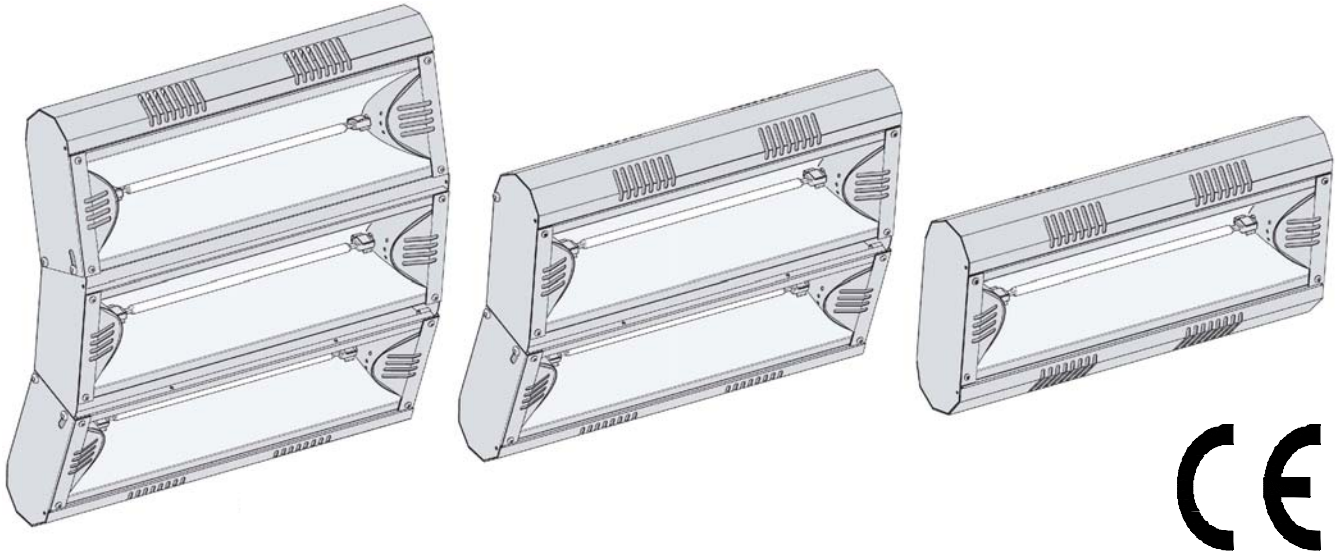


Wall or Ceiling Mounted Infrared Heater range

INSTRUCTION MANUAL



PLEASE READ AND SAVE THESE INSTRUCTIONS

IMPORTANT: READ THESE INSTRUCTIONS BEFORE COMMENCING THE INSTALLATION



SAFETY AND GUIDANCE NOTES

1. This appliance is intended solely for the use it has been designed for, namely room heating. The Manufacturer is not responsible for any damage that could happen for improper use.
2. After unpacking make sure that the appliance is complete and shows no signs of visible damage or tampering.
3. Keep packing materials, which are potential dangers, away from children.
4. The appliance is not suited for persons (as well as children) physically, mentally, sensory disabled, or with no experience, unless they have been supervised or directed by someone responsible for their safety.
5. Do not let children play with the appliance.
6. Ensure that the mains supply (voltage, frequency, and phase) complies with the heaters rating label.
7. Do not use in presence of gas, inflammable or explosive liquids or substances.
8. Some fundamental rules which apply to all electrical devices must be observed when using the heater:
 - Do not touch the heater with wet hands.
 - Do not pull the electric cord or the device itself to unplug it from the socket.
 - Do not let children play with the electrical appliance.
9. Avoid the use of an extension cords with this product, because the extension cord may overheat and cause a risk of fire.
10. Do not apply any modification to the product that could compromise the safety.
11. Keep connections dry.
12. If the appliance is not used for a long period, disconnect it from the power supply.
13. Always disconnect the appliance before doing any maintenance.

INSTALLATION OF THE APPLIANCE

Installation should always be carried out by a qualified electrician or a competent person in accordance with the current I.E.E regulations, or the appropriate standards of your country. The supply must be done through a properly earthed socket. The appliance must be connected to the power supply by a H05RN-F cable, correctly sized for the unit (see the Table 1 below)

Model	447602	447603	447604
Power supply	220-240V~50/60Hz	220-240V~50/60Hz	380-415V~50/60Hz
Total power	1 x 2000W	2 x 2000W	3 x 2000W
Current	9A	18A	3 x 9A
Cable H05RN-F (min.section)	3 x 1.5mm ²	3 x 2.5mm ²	5 x 1.5mm ²

Table 1 (Cable minimum section – per 5 m length.)



A circuit breaker with contact separation distance of at least 3 mm must be fitted upstream from the supply.

Be careful to connect the heater to a supply line protected by 16 A fuses (not quick-acting type).

Wall mounting using the bracket (provided)

- Make sure that the wall where you plan to mount the appliance is solid, and free of electrical cables or water pipes inside.
- Fasten the bracket to the wall with suitable wall plugs and screws by passing through the **A** holes (**fig. 1**).
- Use the **B** holes just as reference (**fig. 1**).
- This heater is intended for permanent installation.
- The heater can be angled on its bracket by adjusting the **C** screws, each module can also be adjusted by the **D** screws (**fig. 2**). When the adjustment has been made, tighten all the screws.
- Be sure that the heater is not facing the ceiling or inflammable substances.

Ceiling mounting with chains (not provided)

- Fasten the chains (having an appropriate length) to the ceiling, and hook them to the heater by using all the four **E** holes and the “S” shaped rings enclosed inside the packaging (**fig. 3**).
- Keep the indicated distances between the heater and the wall/ceiling (**fig. 1-2-3**).
- Install the heater in such a way that the lamps stay horizontal.
- A safety distance of not less than 1 m should always be left in front of the heater.
- The appliance must not be located directly below, nor in front of a socket-outlet.
- Do not use the heater directly near a bathtub, a shower, or a swimming pool.
- Ensure that the power cable cannot come into contact with the reflector of the appliance and does not intrude into the area of light flux.



The appliance is intended for indoor use only.

Keep the appliance dry and protected from dust

Ensure that there is no possibility of inflammable material, combustible material or curtains coming into contact with the Heater, or lie near the heater.

TECHNICAL FEATURES

The infrared Industrial Heater range is made up of one, two, or three modules. Each module contains a 2000W lamp (Table 2).

Model	447602	447603	447604
Power supply	220-240V~50/60Hz	220-240V~50/60Hz	380-415V~50/60Hz
Power	1 x 2000W	2 x 2000W	3 x 2000W
Lamps	1	2	3
Range	9-12m ²	12-16m ²	16-20m ²
Weight	2.2kg	3.0kg	3.8kg

Table 2

USER INSTRUCTIONS

These Industrial infrared heaters have been designed for zone heating of large premises. Production departments, churches, gyms are ideal sites. With high efficiency on heating from a long distance, compact in size and a light weight construction. A wide range on installations can be made easily. The comfort is immediate, no preheating is necessary. The radiant heat gives a pleasant comfortable environment. The heaters are also quite in operation due to no moving parts.

- Switch on the heater simply by connecting to the power supply.
- Do not touch the metallic parts when the heater is working.
- Ensure that the rays of the heater are directed towards the area you want to heat. If necessary, change the angle of heater by loosening the screws on the sides of each module. (see Fig.2) All users should be made aware of all aspects of operation and safety and these instructions should be retained for future reference.
- In unoccupied premises it is recommended that the heating system is switched off by disconnecting from the electrical supply.

MAINTENANCE



Warning

The Heater must be isolated from the power supply and allowed to cool down before any cleaning and maintenance takes place.

The IR Industrial Heaters contain no moving parts and therefore very little maintenance is required other than to ensure that there is no excessive build-up of dust/dirt on the reflectors or lamps as this can cause overheating and premature lamp failure. To clean the appliance, wipe off with a damp cloth. Wait until it is completely dry before re-connecting to the power supply.

LAMP REPLACEMENT

The lamps used in the IR heater are robust and if knocks and shock vibrations are avoided, they will last for around 3000 hours. They should be substituted even before if there are signs of aging. Due to the special sealing and anti-shock design of the heater, the lamps are not intended to be user replaceable. Please ensure that all lamps are replaced by a suitably qualified electrician / Service engineer.



This product conforms to EU Directive 2002/96/EC.

This appliance bears the symbol of the barred waste bin. This indicates that, at the end of its useful life, it must not be disposed of as domestic waste, but must be taken to a collection centre for waste electrical and electronic equipment. It is the user's responsibility to dispose of this appliance through the appropriate channels at the end of its useful life. Failure to do so may incur the penalties established by laws governing waste disposal. Proper differential collection, and the subsequent recycling, processing and environmentally compatible disposal of waste equipment avoids unnecessary damage to the environment and possible related health risks, and also promotes recycling of the materials used in the appliance. For further information on waste collection and disposal, contact your local waste disposal service, or the shop from which you purchased the appliance.

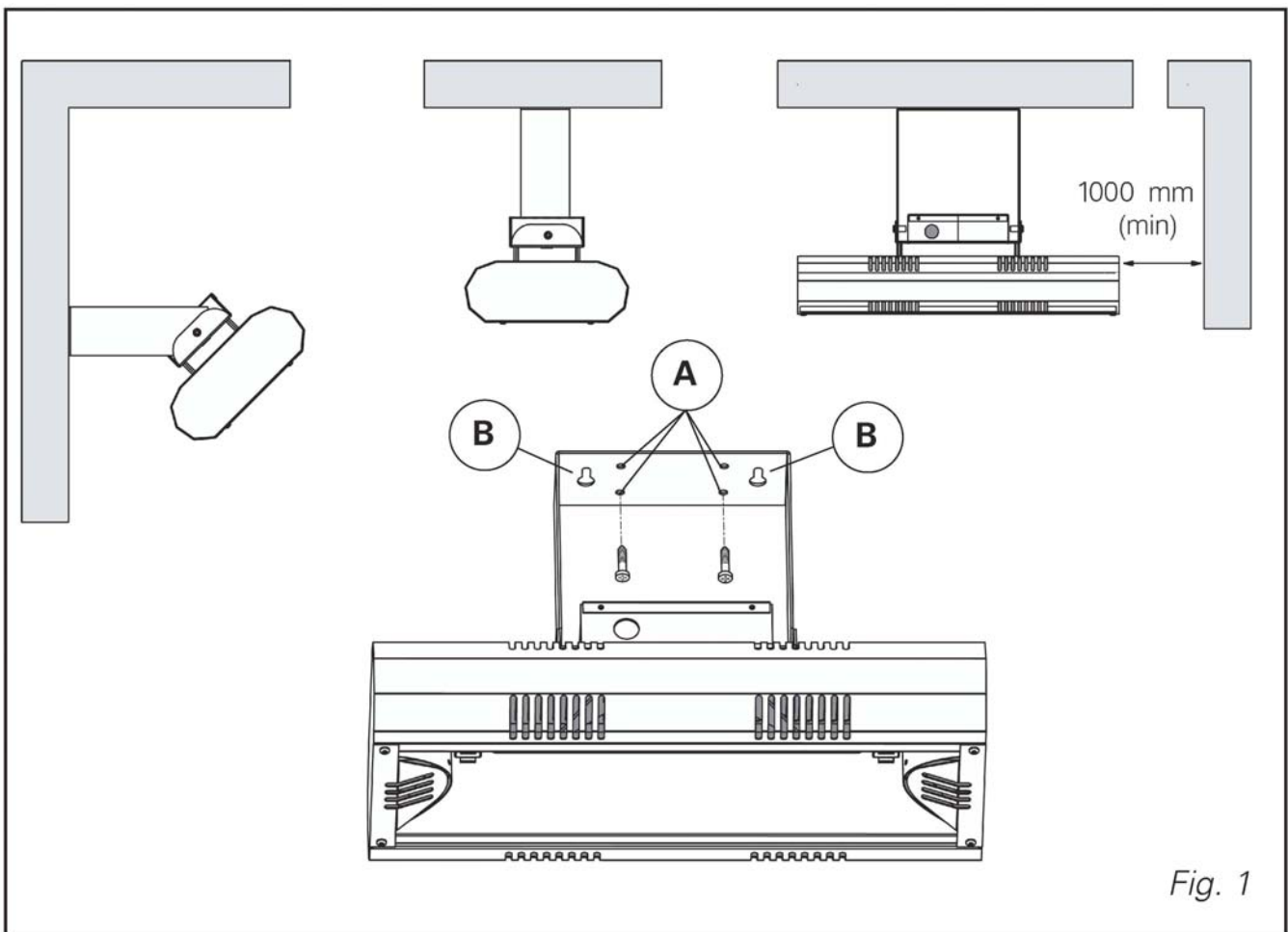


Fig. 1

