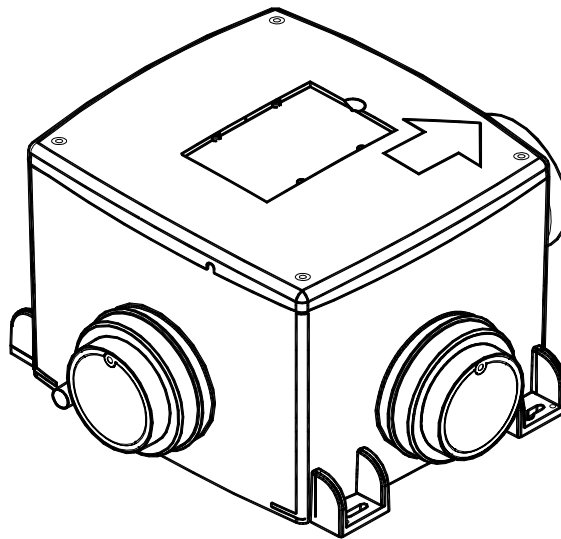


# **Vent-Axia**®

## **MULTIVENT VENTILATION SYSTEM**

Installation, Set-up and Operating Instructions



### **Stock Ref. N°**

MV250H(RF) 183010A (80W)

MV350H(RF) 183015A (100W)

**220-240V/1/50Hz**

*READ INSTRUCTIONS IN CONJUNCTION WITH ILLUSTRATIONS  
READ AND SAVE THESE INSTRUCTIONS*



**Installation and Wiring Instructions for the Multivent Humidistat Extract Fans.**



**IMPORTANT:  
READ THESE INSTRUCTIONS BEFORE COMMENCING THE INSTALLATION**

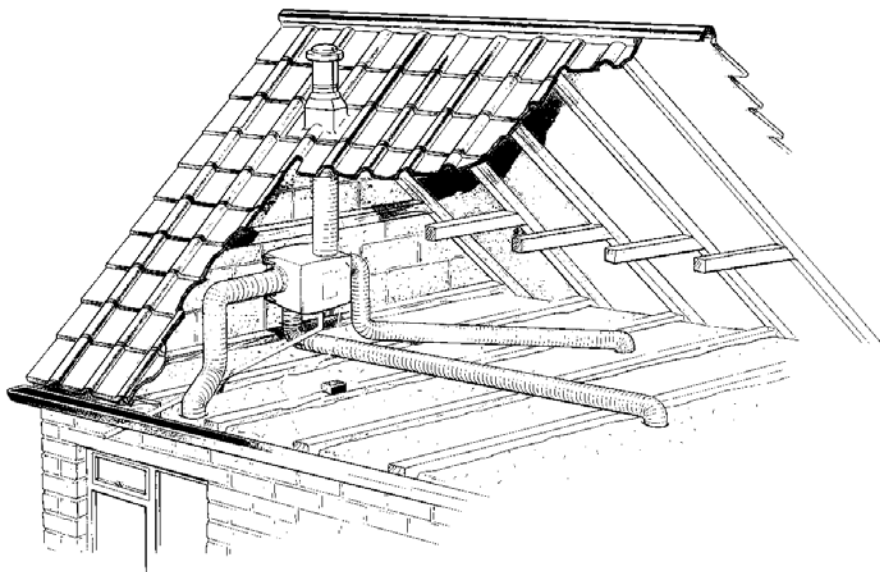
DO NOT install this product in areas where the following may be present or occur:

- Excessive oil or a grease laden atmosphere.
- Corrosive or flammable gases, liquids or vapours.
- Ambient exhaust air temperatures higher than 40°C or less than -5°C.
- Relative humidity above 90%
- Possible obstructions which would hinder the access or removal of the Unit.
- Sudden ductwork bends or transformations close to the Unit.

## **SAFETY AND GUIDANCE NOTES**

- A.** All wiring must be in accordance with the current I.E.E. Regulations, or the appropriate standards of your country.
- B.** The Unit should be provided with a local double pole isolator switch having a contact separation of at least 3mm. The fuse rating should be 3A.
- C.** Ensure that the mains supply (Voltage, Frequency and Phase) complies with the rating label.
- D.** The Unit should only be used in conjunction with the appropriate Vent-Axia products.
- E.** It is recommended that the connection to the terminal box is made with flexible cable/conduit.
- F.** The Unit should not be sited within 600mm horizontally of/or 2250mm vertically of a bath/shower tray, in accordance with the current I.E.E. Regulations for bathrooms.
- G.** When the unit is used to remove air from a room containing a fuel-burning appliance, ensure that the air replacement is adequate for both the fan and the fuel-burning appliance.
- H.** The installer must ensure that the Unit intake is located a minimum of 600mm from any flue outlet.
- I.** This Unit is designed as an inline ducted unit to be positioned between lengths of ducting. Short duct runs terminating within 1.5m must incorporate suitable guards unless the unit is mounted higher than 2.3m.
- J.** This Unit should not be used where it is liable to be subject to direct water spray from hoses etc.
- K.** This Unit handles moisture-laden air, ensure that a condensation drain is fitted.
- L.** Certain applications may require the installation of sound attenuation material to achieve the sound levels required.
- M.** Ducted ventilators must be ducted to the outdoors.

## **TYPICAL INSTALLATION**



## INTRODUCTION NOTES.

The MULTIVENT range is designed for simultaneous ventilation for a maximum of up to four separate areas such as bathrooms, kitchens and toilets. The range can be mounted in three different orientations for convenient installation in roof voids with a height of 250mm or greater. An integral humidistat is provided to automatically trigger an increased airflow in order to quickly remove any build up of humid air caused by showers, cooking etc.

The MV250H(RF) and the higher performance 350H(RF) employ highly efficient backward curved centrifugal motor impeller sets. All models are designed for continuous 24-hour use and should not be used in conjunction with a delay timer.

## HUMIDISTAT.

The humidity set point is adjustable between 60% and 90% RH with a mid point potentiometer setting of 75% RH. Once a humidity level is dedicated above the set point value, the Multivent will initiate a fixed airflow boost cycle depending on the initial speed setting of unit when the humidity rise was detected.

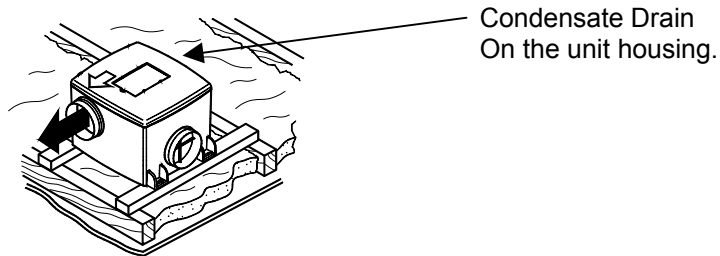
## REMOTE CONTROL (OPTIONAL EXTRA).

Operation of the MV250H(RF) and 350H(RF) models can be controlled with a hand held wireless transmitter, available separately. The transmitter is switchable between low, medium and high (boost) speed operation. The default power-on speed setting is low. The transmission signal will function over a range of at least 10m through 2 concrete block/beam floors. 16 unique code selection features are available to match the transmitter to the Multivent receiver and so avoid any possible cross talk between adjacent property installations. It is possible to have more than one transmitter unit dedicated to a given Multivent unit and vice versa as the installation dictates. Each transmitter is provided with a wall mountable holder.

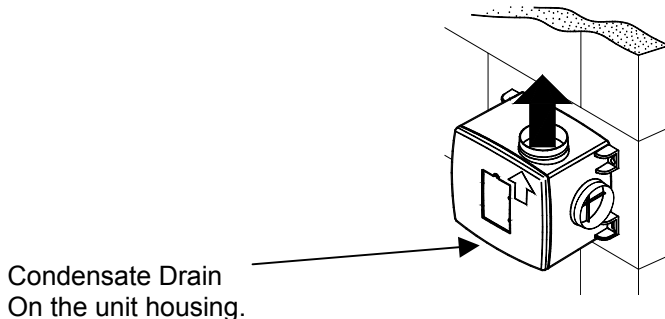
## SITING

The MULTIVENT may be mounted in three orientations.

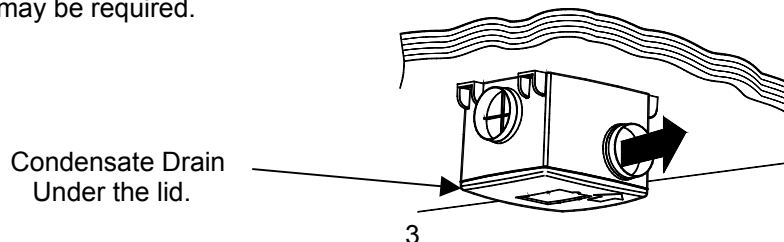
- a). **Base mounted Installation** with ducting radiating out horizontally. The Condensate Drain is on the opposite side to the exhaust spigot at the base of the unit.



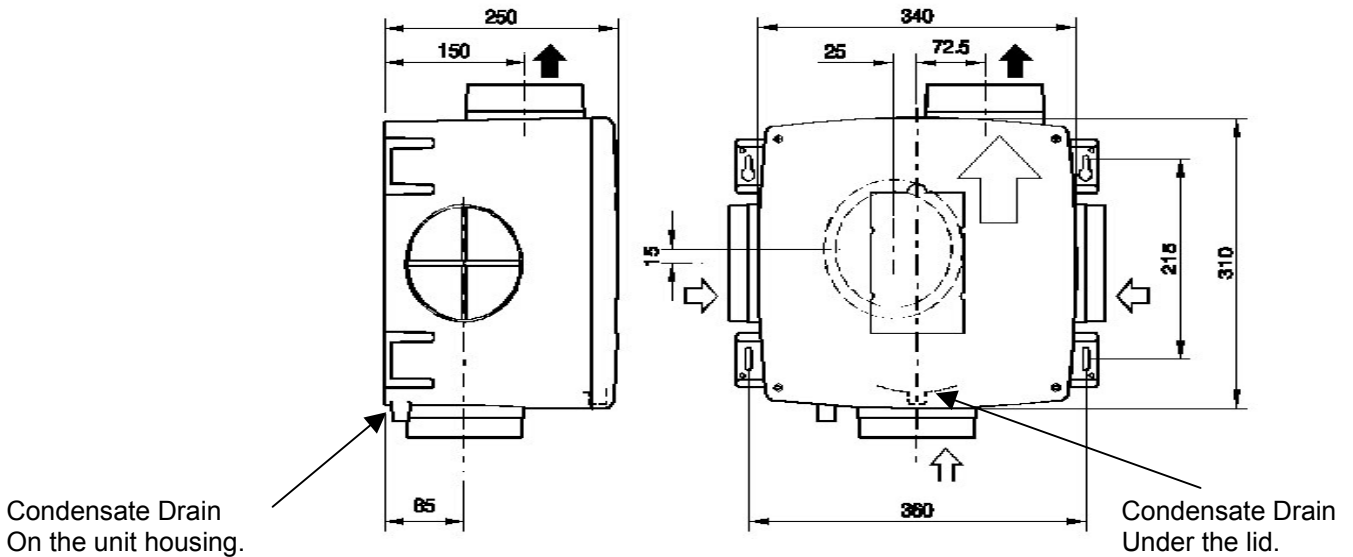
- b). **Vertically mounted Installation** with the exhaust spigot at top. The Condensate Drain is opposite to the exhaust spigot at the base of the unit. Additional drainage may be required from the duct connected to the bottom spigot.



- c). **Ceiling mounted Installation.** The Condensate Drain is opposite to the exhaust spigot under the lid of the unit. Additional drainage may be required.



See the dimensional details below for the mounting hole positions.



**INSTALLATION**

1. Position the MULTIVENT, taking into consideration the position of the rooms to be ventilated, the exhaust position, the drainage position and the electrical services. Ensure there is adequate access for installation and maintenance. Securely mount the MULTIVENT through the mounting brackets on the casing using the appropriate anti-vibration mounts, screws, washers, rubber bushes etc.
2. Where the intake and exhaust ducts are to be connected to the MULTIVENT, remove the spigot caps, if 125mm ducting is being used. If 100mm ducting is being used, peel out the centre of the cap with a screwdriver as indicated and leave the cap surround in position. To connect ducting to the base intake, use a suitable adaptor attached using the 4 holes provided.
3. Ducting passing through an unheated roof void should be insulated. Ducting runs should be as straight as possible and intake ducting should slope downwards from Under the lid. Connect ducting to the MULTIVENT spigots and to appropriate ceiling terminations.
4. Select the drain spigot required, remove the “Knockout” and connect a suitable drainage system.

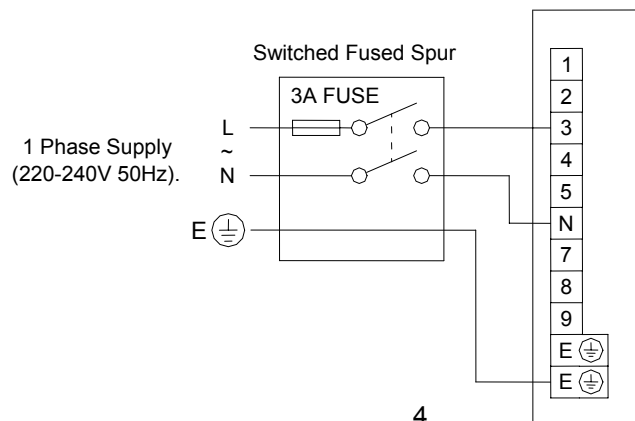
**WIRING**



**WARNING: THE MULTIVENT AND ANCILLARY CONTROL EQUIPMENT MUST BE ISOLATED FROM THE POWER SUPPLY DURING THE INSTALLATION / OR MAINTENANCE.**

**THE MULTIVENT UNIT MUST BE EARTHED.**

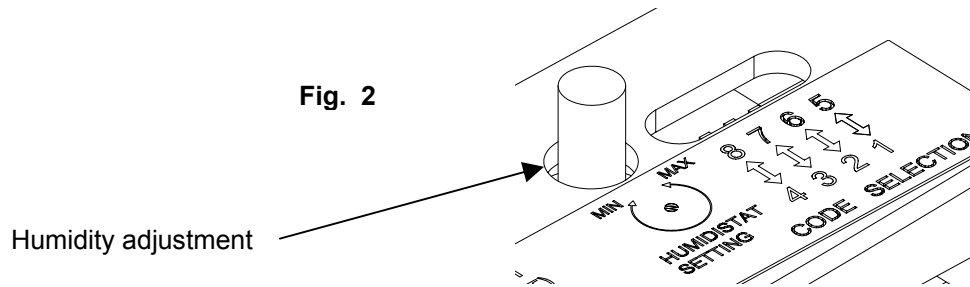
1. Connect mains supply as (Fig. 1).
2. Check that all connections have been made correctly. Ensure that all terminal screws and cable clamps are securely fastened.
3. The cable entry must be made using a suitable grommet or cable gland.
4. After performing the following set-up instructions, switch the mains supply on and check the system is operating correctly.



**Fig 1**

## HUMIDITY ADJUSTMENT.

Adjust potentiometer to the required humidistat setting, Fig. 2. To increase the humidistat set point, rotate the adjuster anticlockwise and to decrease the humidistat set point rotate the adjuster clockwise.



The Multivent reacts automatically to an increase in %RH above the set point value. If high humidity is detected, the fan speed increases to medium for 30 minutes. At the end of this period, if high humidity is still detected, the fan speed increases to high for 15 minutes. At the end of this period, if the humidity is low, the fan returns to its original low setting, but if still high, the fan reverts back to medium speed for 30 minutes and so on.

## OVER-HEATING PROTECTION

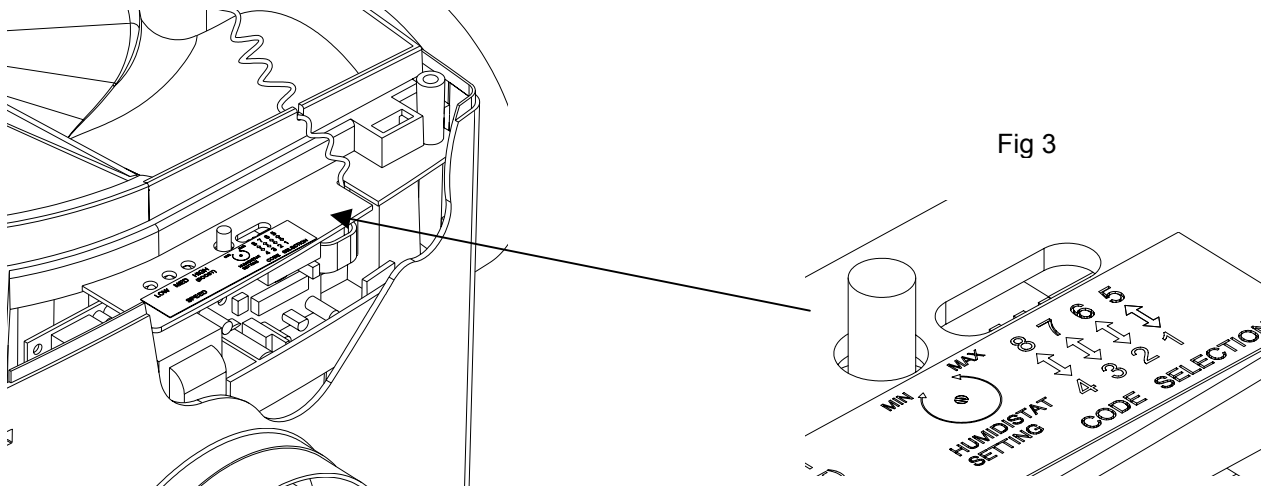
The MULTIVENT motor is fitted with Standard Thermal Overload Protection. This will automatically switch the fan Off in the event of a fault condition.

If this occurs isolate the MULTIVENT, check for and remove any obstruction, leave for a short time for the motor to cool before reconnecting. If this recurs, Isolate the MULTIVENT and call a service engineer.

**WIRELESS CONTROLLER (Available stock ref. 426035)**

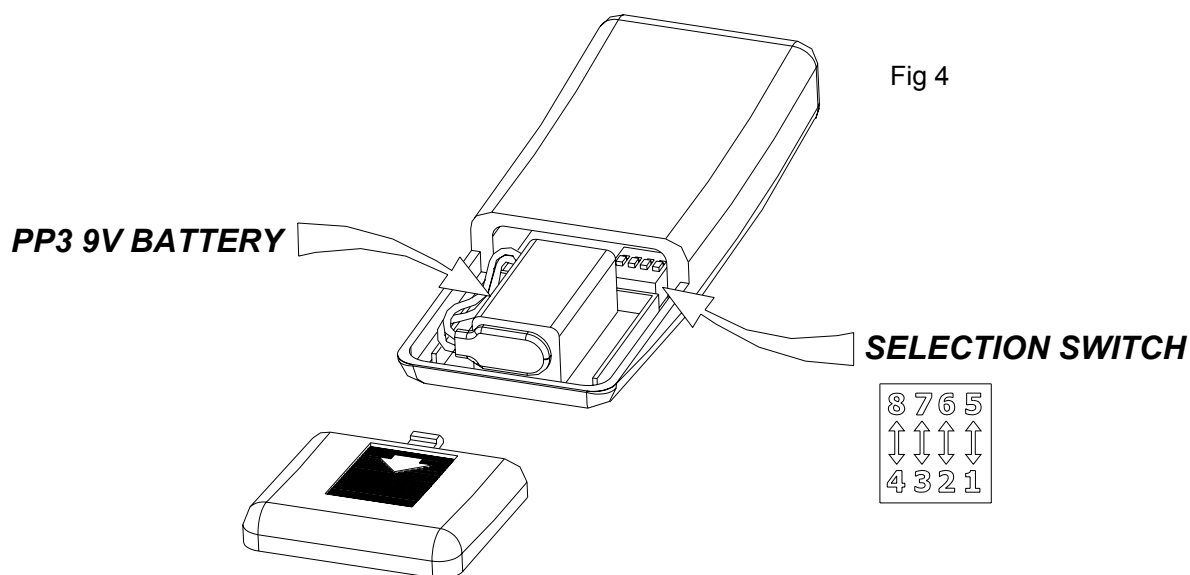
The selection switch in the Multivent unit and the switch in the hand held transmitter must be set exactly the same. The factory setting is 5678 but it is inadvisable to retain this setting.

**a) The Multivent Selection Switch.  
Located as shown in Fig 3.**



**b) The Transmitter Selection Switch**

- Remove battery compartment cover on the back of the transmitter unit.
- Set the transmitter selection switch to the same number sequence as used for the Multivent receiver, see Fig 4.
- Connect battery terminal connector to the battery.



### c) Humidity Response :

The Multivent reacts automatically to an increase in %RH above the set point value and the manner in which this triggers will increase airflow depending on the original speed setting, as follows:

- Low Speed Setting:** If high humidity is detected, the fan speed increases to medium for 30 minutes. At the end of this period, if high humidity is still detected, the fan speed increases to high for 15 minutes. At the end of this period, if the humidity is low, the fan returns to its original low setting, but if still high, the fan reverts back to medium speed for 30 minutes and so on.
- Medium Speed Setting:** If high humidity is detected, the fan speed stays at medium speed for 30 minutes. At the end of this period if high humidity is still detected, the speed increases to high for 15 minutes and drops back to the original medium speed setting at the end of this period.
- High Speed Setting:** If high humidity is detected there is no speed change. However, at the end of 30 minutes the boost time-out will automatically reset the fan speed back to low.

In all the automatic humidity operating modes, it is possible to override any humidity cycles in progress and switch the fan to any other speed. However, if high humidity is still present, the unit will revert back to the appropriate automatic humidity cycle operation.

# VENT-AXIA SALES CENTRES

## ENGLAND & WALES NATIONAL CALL CENTRE

Newton Road, Crawley  
West Sussex  
RH10 9JA

Telephone: 01293 530202  
Fax: 01293 565169

## NORTHERN IRELAND

Telephone: 02890 402220  
Fax: 01293 565169

## SCOTLAND

Telephone: 0141 429 1166  
Fax: 01293 565169

## REPUBLIC OF IRELAND

Vent-Axia Ventilation Ltd.  
921 Western Industrial Estate  
Naas Road, Dublin 12.

Telephone: (01) 450 4133  
Fax: (01) 450 4570

Did you find these instructions easy to use?

We value your comments, contact us via:

email: [info@vent-axia.com](mailto:info@vent-axia.com)

## The Vent-Axia Guarantee

Applicable only to products installed and used in the United Kingdom. For details of the guarantee outside the United Kingdom contact your local supplier.

Vent-Axia guarantees its products for two years from the date of purchase against faulty material or workmanship. In the event of any part being found to be defective, the product will be repaired, or at the Company's opinion replaced, without charge, provided that the product:

- 1) has been installed and used in accordance with the instructions given with each unit.
- 2) has not been connected to an unsuitable electricity supply (The correct electricity supply voltage is shown on the product rating label attached to the unit).
- 3) has not been subjected to misuse, neglect or damage.
- 4) has not been modified or repaired by any person not authorised by the Company.

### IF CLAIMING UNDER THE TERMS OF THE GUARANTEE

please return the complete product, carriage paid to your original supplier, by post or in person. Please ensure that it is adequately packed and accompanied by a letter clearly marked 'Guarantee Claim' stating the nature of the fault and providing proof of date and source of purchase.

As part of the policy of continuous product improvement Vent-Axia reserve the right to alter specifications without notice.

# Vent-Axia®

Head Office: Fleming Way, Crawley, West Sussex RH10 9YX  
Tel: 01293 526062 Fax: 01293 551188  
Internet site at: [www.vent-axia.com](http://www.vent-axia.com)

426328 C

0504