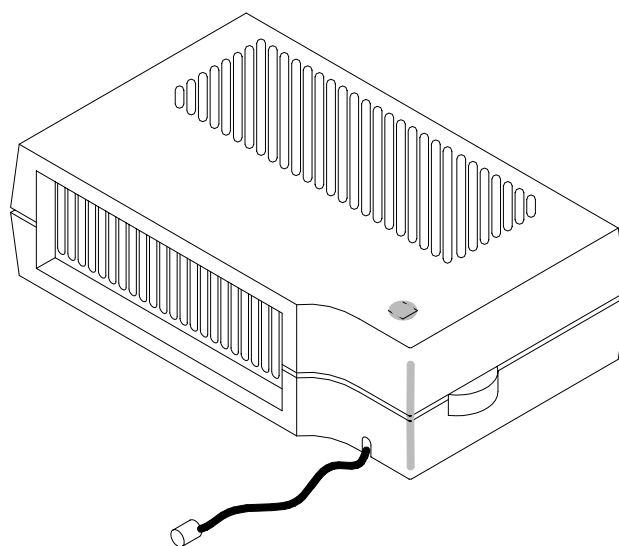


# **Vent-Axia<sup>®</sup>**

## **VADH2 WALL FAN HEATER**

Installation and Wiring Instructions



**Stock Ref. N°**

**45 58 34**

### **220-240V/1/50Hz**

*READ INSTRUCTIONS IN CONJUNCTION WITH ILLUSTRATIONS  
READ AND SAVE THESE INSTRUCTIONS*



# Installation and Wiring Instructions for the VADH2 Wall Fan Heater.



**IMPORTANT:  
READ THESE INSTRUCTIONS BEFORE COMMENCING INSTALLATION.**

**DO NOT install this product in areas where the following may be present or occur.**

- Excess oil or grease laden atmosphere.
- Corrosive or flammable gases, liquids or vapours.
- Ambient temperatures higher than 40°C or less than -5°C.
- Possible obstructions which would hinder the access or removal of the heater.

## SAFETY AND GUIDANCE NOTES

- A. All wiring must be in accordance with the current I.E.E. Regulations, or the appropriate standards of your country.
- B. The Wall Heater **MUST** be provided with a local double pole isolator switch having a contact separation of at least 3mm.
- C. Ensure that the mains supply (Voltage, Frequency and Phase) complies with the rating label.
- D. The Wall Heater should not be sited within 600mm horizontally or 2250mm vertically of a bath/shower tray so as to ensure that switches and other controls cannot be touched by a person in the bath or shower, in accordance with the current I.E.E. Regulations for bathrooms.
- E. The Wall Heater should not be used where it is liable to be subject to direct water spray from hoses etc.
- F. The Wall Heater **MUST NOT** be located immediately below a fixed socket outlet.
- G. Ensure that the Wall Heater is not installed in a position where a cupboard or similar object obstructs the airflow.

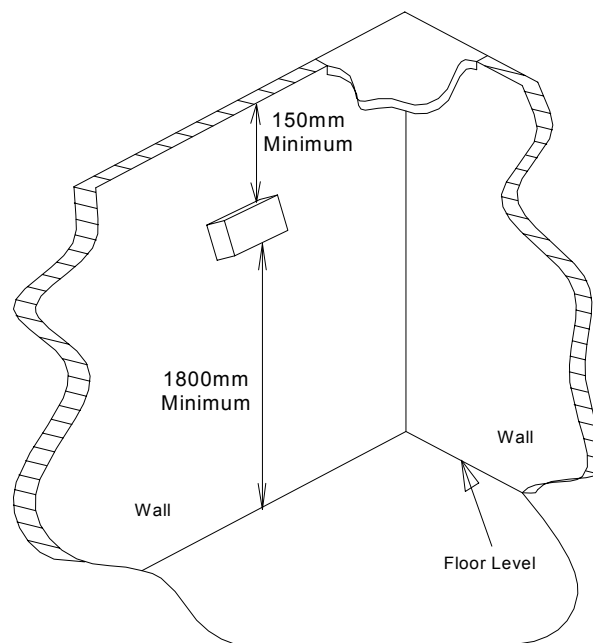


**WARNING- DO NOT PLACE AEROSOLS OR SIMILAR CONTAINERS OR MATERIALS SUSCEPTIBLE TO HEAT IN THE DIRECT AIRSTREAM OF THE WALL HEATER.**

## INSTALLATION.

1. The Wall Heater is designed to be mounted on a vertical wall. Using the template supplied (*Page 4*), position the heater horizontally at a minimum height of 1800mm from the floor to the underside (*Fig. 1.*) and mark the position of the 3 fixing holes (**A**).
2. Drill and raw plug the wall suitable for N° 8 screws.
3. Insert the 2 lower screws into the raw plugs leaving a gap of 2mm (approximately) between screw head and the wall.
4. Position the heater on the 2 partially inserted wall screws and secure the 3<sup>rd</sup> wall screw into position.

**Fig. 1.**





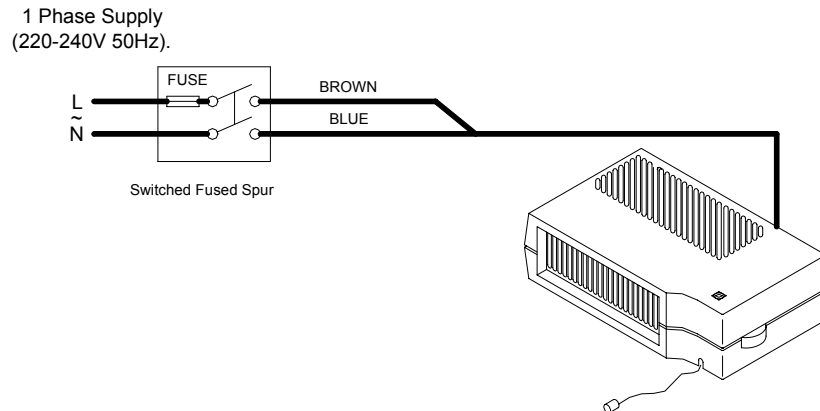
## WIRING

### WARNING:

THE WALL HEATER MUST BE INSTALLED BY AN ELECTRICALLY QUALIFIED / COMPETENT PERSON.

- ◆ THE HEATER **MUST** BE ISOLATED FROM THE POWER SUPPLY DURING THE INSTALLATION / MAINTENANCE.

Connect the Wall Heater in accordance with the wiring diagram shown below.

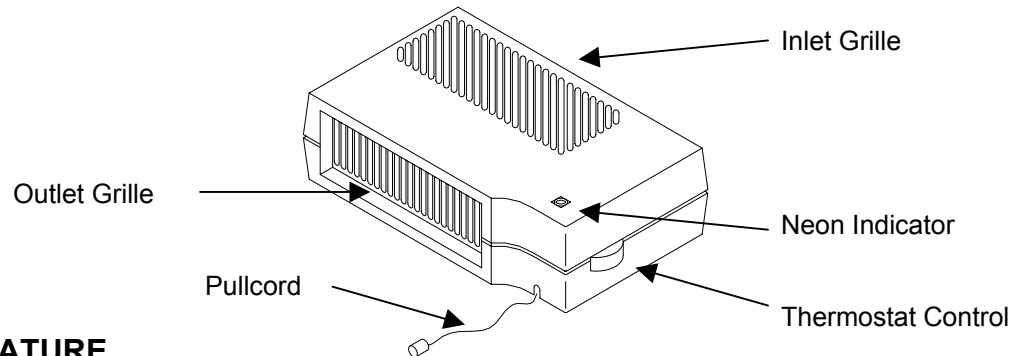


## CONTROLS.

- The Heater is controlled by an “On / Off” pullcord switch and an adjustable thermostatic control.
- The Heater has a neon light to indicate when is “On”.

## Thermostat.

1. To set the thermostat to the temperature required, turn the thermostat control to N° 6.
2. When the desired room temperature is reached, slowly turn the thermostat control down, until the heater turns off. The thermostat is now set to the required temperature setting.



## SAFETY FEATURE

- The Heater has a built-in thermal cut-out switch (ES). Should the switch trip-out, the heater must be switched off for approximately 10 minutes, to allow the heater to cool down.
- After approximately 10 minutes, switch the heater on, if the cut-out switch trips out again, switch the heater off and contact AN ELECTRICALLY QUALIFIED / COMPETENT PERSON to carry out an inspection of the heater.

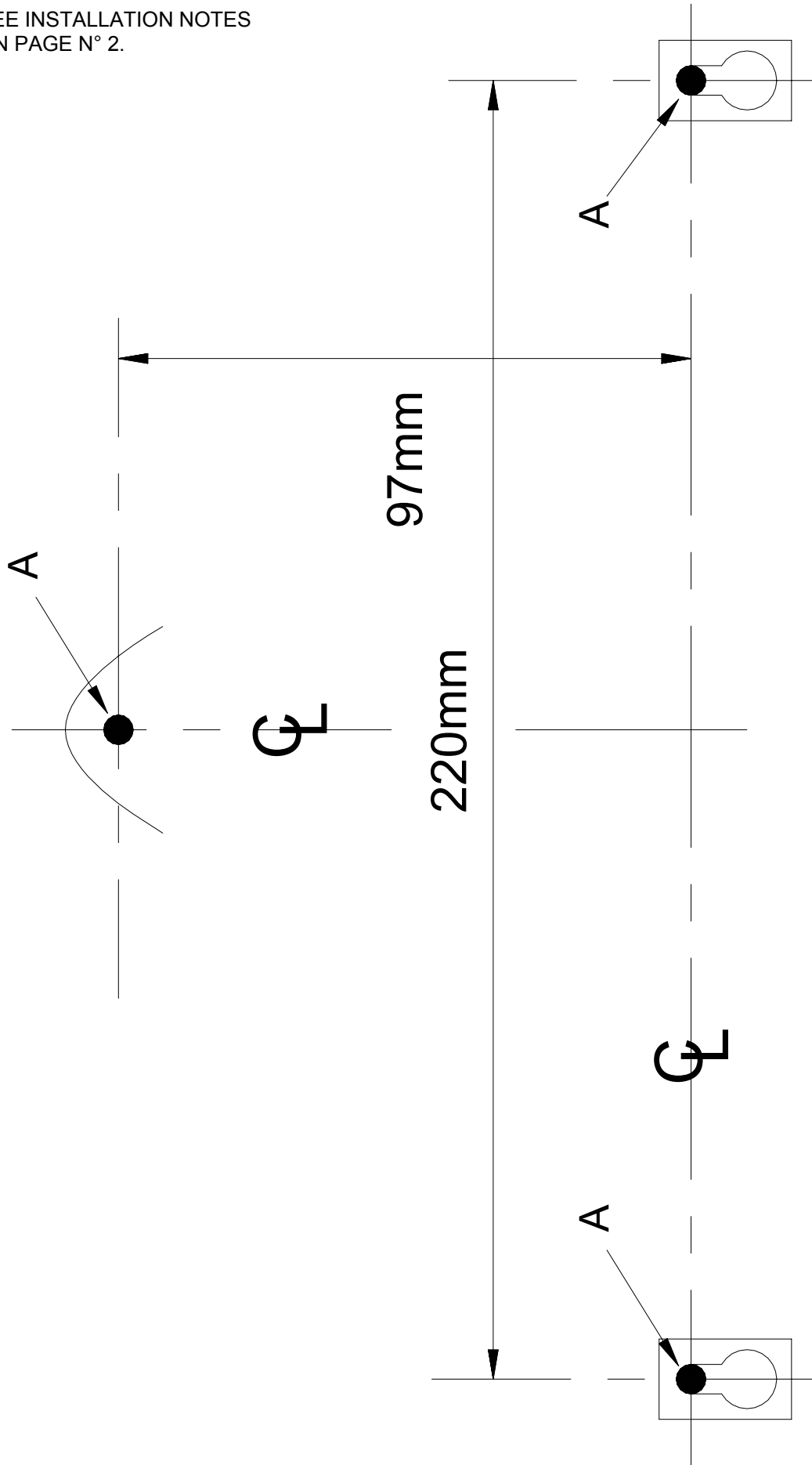
## ROUTINE INSPECTION AND MAINTENANCE

**ISOLATE THE UNIT FROM THE POWER SUPPLY AND ENSURE THAT IT CANNOT BE ACCIDENTALLY SWITCHED BACK ON**

At intervals appropriate to the installation, the Heater should be inspected and cleaned to ensure there is no build up of dirt or other deposits on the impeller or the motor.

# MOUNTING TEMPLATE

SEE INSTALLATION NOTES  
ON PAGE N° 2.





# VENT-AXIA SALES CENTRES

*ENGLAND & WALES NATIONAL CALL CENTRE*  
Newton Road, Crawley  
West Sussex  
RH10 9JA

Telephone: 01293 530202  
Fax: 01293 565169

## **NORTHERN IRELAND**

Telephone: 02890 402220  
Fax: 01293 565169

## *SCOTLAND*

Telephone: 0141 429 1166  
Fax: 01293 565169

## **REPUBLIC OF IRELAND**

Vent-Axia Ventilation Ltd.  
921 Western Road Industrial Estate  
Naas Road, Dublin 12.

Telephone: (01) 450 4133  
Fax: (01) 450 4570

Did you find these instructions easy to use?

We value your comments, contact us via :

Email: [info@vent-axia.com](mailto:info@vent-axia.com)

### **The Vent-Axia Guarantee**

Applicable only to products installed and used in the United Kingdom. For details of the Guarantee outside of the United Kingdom contact your local supplier.

Vent-Axia guarantees this product for two years from the date of purchase against faulty material or workmanship. In the event of any part being found to be defective, the product will be repaired, or at the Company's discretion the product will be replaced without charge, provided that the product:

- 1). Has been installed and used in accordance with the instruction given with each unit.
- 2). The electricity supply complies with the rating label.
- 3). Has not been misused, neglected or damaged.
- 4). Has not been modified or repaired by any person not authorised to do so by Vent-Axia.

### **IF CLAIMING UNDER THE TERMS OF THE GUARANTEE**

Please return the complete product, carriage paid to your original supplier by post or in person. Please ensure that it is adequately packed and accompanied by a letter clearly marked 'Guarantee Claim' stating the nature of the fault and providing proof of the date and source of purchase.

As part of the policy of continuous product improvement Vent-Axia reserve the right to alter specifications without notice

# ***Vent-Axia***<sup>®</sup>

**Head Office:** Fleming Way, Crawley, West Sussex RH10 9YX  
Tel: 01293 526062 Fax: 01293 551188  
Internet site at: [www.vent-axia.com](http://www.vent-axia.com)