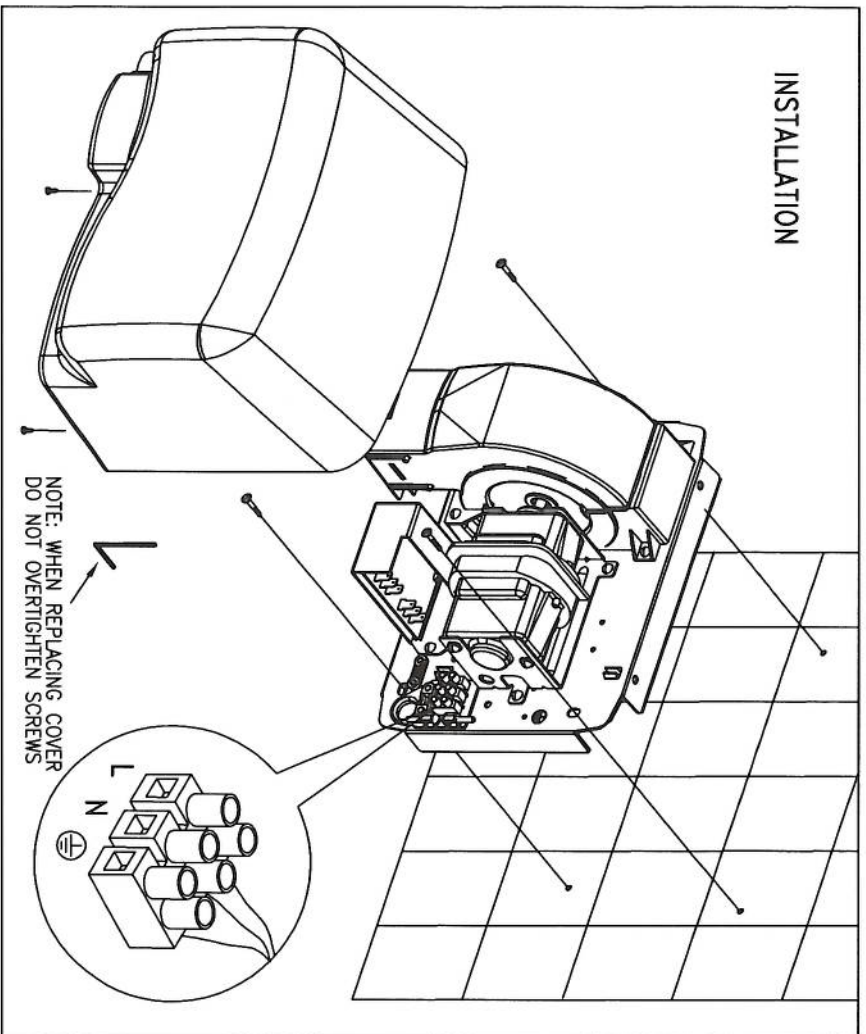


INSTALLATION



AUTOMATIC HAND DRYERS

INSTALLATION INSTRUCTIONS

ALWAYS ENSURE THAT THE INSTALLATION CONFORMS TO THE CURRENT EDITION OF THE IEE WIRING REGULATIONS, BS7671(UK) OR THE APPROPRIATE STANDARDS IN YOUR COUNTRY. ENSURE THAT THE UNIT IS SEPARATELY FUSED WITH A SUITABLY RATED FUSE AND THAT IT IS CONNECTED TO THE SUPPLY WITH A DOUBLE POLE ISOLATING SWITCH HAVING A CONTACT SEPARATION OF AT LEAST 3mm.

CARE SHOULD BE TAKEN THAT SINGLE INSULATED CONDUCTORS CANNOT COME INTO CONTACT WITH THE MOUNTING SURFACE.

THIS HAND DRYER MUST BE FIXED OUT OF REACH OF A PERSON TAKING A BATH OR SHOWER

CAUTION-- THIS APPLIANCE CAN BE USED BY CHILDREN AGED FROM 8 YEARS AND ABOVE AND PERSONS WITH REDUCED PHYSICAL, SENSORY OR MENTAL CAPABILITIES, OR LACK OF EXPERIENCE AND KNOWLEDGE. IF THEY HAVE BEEN GIVEN SUPERVISION OR INSTRUCTION CONCERNING USE OF THE APPLIANCE IN A SAFE WAY AND UNDERSTAND THE HAZARDS INVOLVED. CHILDREN SHALL NOT PLAY WITH THE APPLIANCE. CLEANING AND USER MAINTENANCE SHALL NOT BE MADE BY CHILDREN WITHOUT SUPERVISION. THIS APPLIANCE MUST BE FIXED OUT OF REACH OF A PERSON TAKING A BATH OR SHOWER.

MOUNTING INSTRUCTIONS

UNIT MUST BE FIXED TO A SOLID SUPPORTING WALL. SEE OVERLEAF FOR MOUNTING HOLE TEMPLATE. RECOMMENDED FIXING HEIGHTS TO TOP OF UNIT ARE AS FOLLOWS--

- a) 1.5 METRES ABOVE FLOOR FOR NORMAL USE
 - b) 1.3 METRES ABOVE FLOOR WHERE AVERAGE AGE OF USER IS BELOW 16 YEARS
- THIS HAND DRYER MUST NOT BE MOUNTED ABOVE SHELVES, SINKS OR RADIATORS TO ENSURE EASE OF INSTALLATION AND SUBSEQUENT MAINTENANCE. THE HORIZONTAL DISTANCE TO ANY ADJACENT WALL SHOULD NOT BE LESS THAN 0.2 METRES


AFTER INSTALLATION OR SERVICING, UNITS MUST BE CHECKED, AND ONLY LEFT WHEN ELECTRICALLY AND MECHANICALLY SAFE.

When ordering replacement modules always quote SERIAL NO., MODEL/SERIES, ELECTRICAL SUPPLY VOLTAGE AND FREQUENCY.

SERVICING THE HAND DRYER

THE MINIMUM SERVICE PERIOD FOR THE DRYER SHOULD BE EVERY 3 MONTHS OR MORE FREQUENT INTERVALS AS EXPERIENCE DICTATES

ISOLATE THE UNIT FROM THE ELECTRICITY SUPPLY BEFORE SERVICING. REMOVE DUST, FLUFF AND ANY OTHER BUILD UP OF FOREIGN MATTER FROM INLET AND OUTLET GRILLE AREAS

 This marking indicates that this product should not be disposed with other household wastes throughout the EU. To prevent possible harm to the environment or human health from uncontrolled waste disposal, recycle it responsibly to promote the sustainable reuse of material resources. To return your used device, please use the return and collection systems or contact the retailer where the product was purchased. They can take this product for environmental safe recycling.

Guarantee

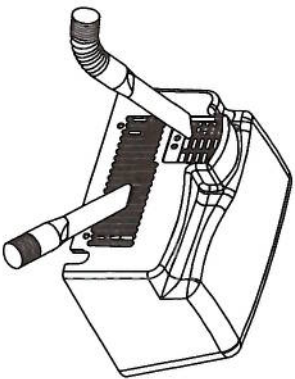
The hand dryer is Guaranteed for two years from the date of purchase against faulty materials or workmanship.

In the event of any part being found to be defective, the hand dryer will be repaired, or at the Manufacturer's option replaced, without charge, provided that the hand dryer:

- a) has been installed and used in accordance with the instructions given with each unit;
 - b) has not been connected to an unsuitable electrical supply. (Correct electricity supply requirements are stated on the units rating label).
 - c) has not been subjected to mis-use, neglect or damage.
 - d) has been properly serviced in accordance with the instructions given with each unit.
 - e) has not been modified or repaired by any person not authorised by the Manufacturer.
- This guarantee excludes labour after an initial 12 month period.

WARNING : BEFORE OBTAINING ACCESS TO TERMINALS, ALL SUPPLY CIRCUITS MUST BE DISCONNECTED.

SERVICE CLEANING



HOW TO USE

PLACE HANDS UNDER HAND DRYER.

THE HAND DRYER WILL AUTOMATICALLY START.

ONCE DRY REMOVE HANDS FROM THE DRYER.

THE DRYER WILL STOP AUTOMATICALLY

Rating:-

220-240V~ 50HZ, Class I, IP22

C10:- 1000W

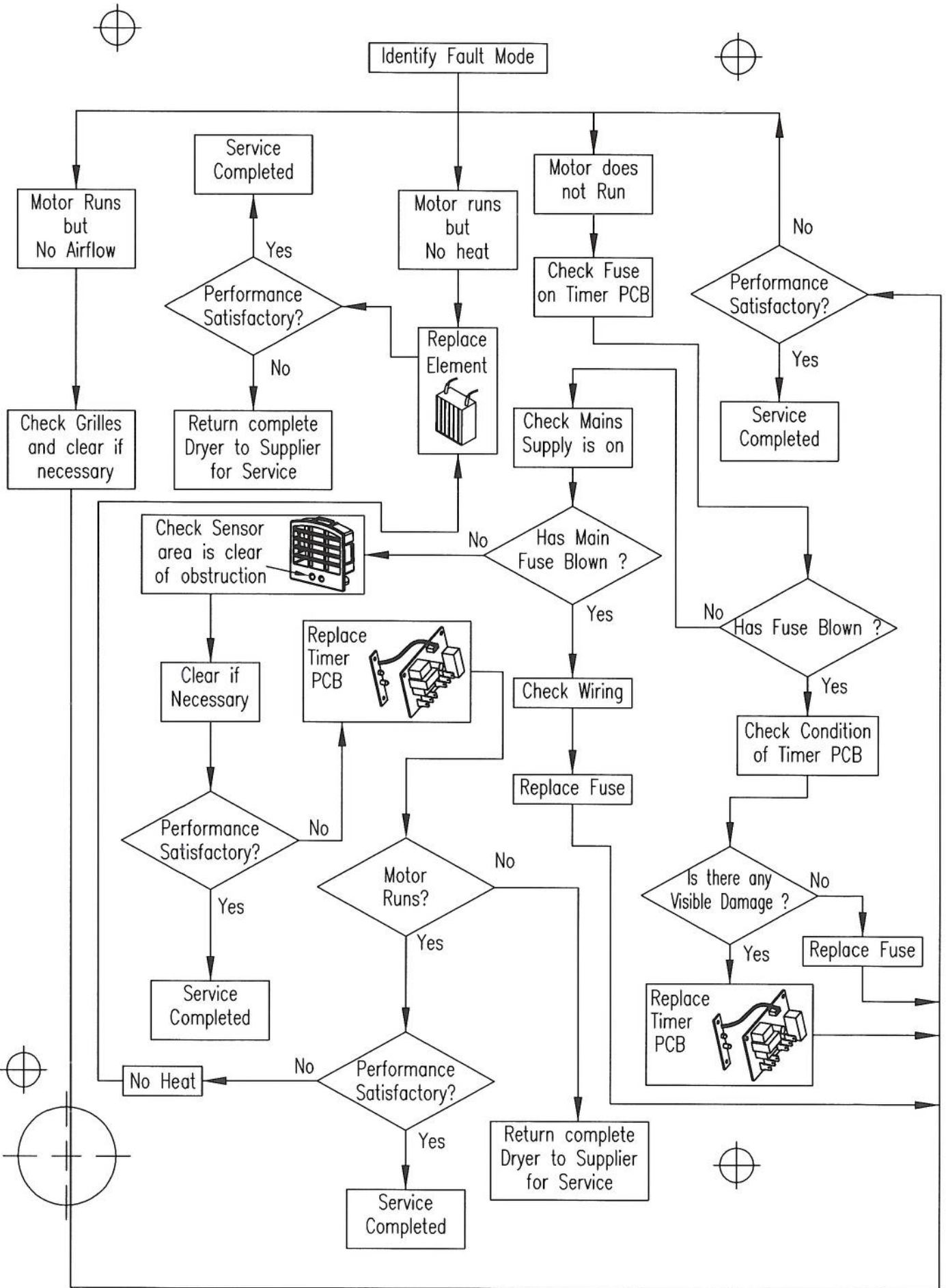
C15, C15HD, C15/S:- 1250W

C20HD:- 2000W

Supplied by APPL



THIS UNIT MUST ONLY BE FITTED AND SERVICED BY SUITABLY QUALIFIED PERSONNEL. 425693 G



FAULT DIAGNOSIS CHART