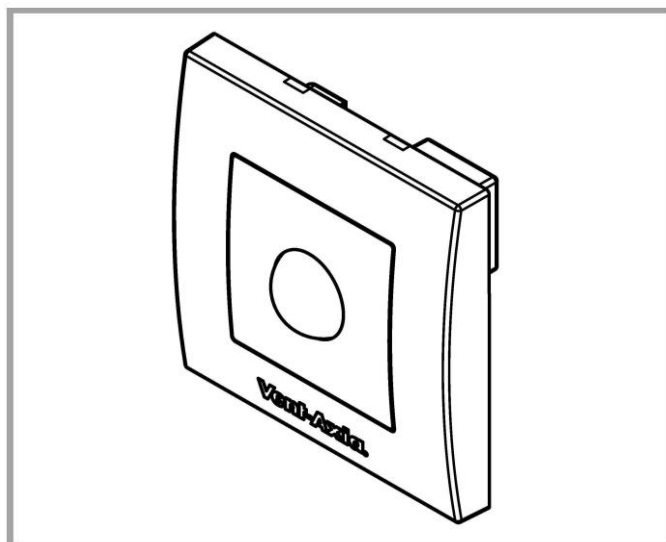


Visionex

PIR Controller

Fitting & Wiring Instructions

(Suitable for use with a single Vent-Axia fan up to 600W)



Stock Ref.

459623B PIR Visionex

Mains 220-240V

Vent-Axia[®]

PLEASE RETAIN THESE INSTRUCTIONS WITH THE PRODUCT.

UK
CA CE

VENT-AXIA VISIONEX MAINS 220-240V FITTING AND WIRING INSTRUCTIONS
PLEASE READ ALL INSTRUCTIONS CAREFULLY BEFORE INSTALLATION

OPERATION

Visionex always looks for movement within its range. A hot body moving across the detection zones will activate the Visionex which will switch on the connected load. If the body becomes still or moves out of range, the Visionex stays on for an adjustable overrun time and then switches the connected load off.

The Visionex PIR controller has been designed for maximum versatility. It has a single pole relay with a changeover contact.

SITING

The Visionex must not be installed in a shower cubicle or enclosure. It must be sited away from direct sources of water spray and out of reach of a person using a fixed bath or shower.

Ambient temperature range: 0 to 40°C. Site away from direct sources of heat. Do not site above a radiator or other heat source. Do not site in an area containing excessive levels of grease. Do not place in direct sunlight as this may affect the sensor.

FITTING

The Visionex is designed to fit any UK single mounting box with a minimum depth of 20mm. Fixing centres 60.3mm. A surface mounting box is available (Vent-Axia Ref. 410020).

WIRING

WARNING: For your safety please ensure that the mains supply is isolated before making electrical connections. The Controller MUST be connected to a 220-240V 50Hz AC single phase mains supply.

WARNING: The Visionex MUST NOT be earthed. It is Class II double insulated. However, if the Visionex is mounted on a metal outlet box the outlet box should be earthed. If the fan requires an earth connection then earth continuity must be provided.

All electrical connections should be made by a properly qualified electrician. The siting and installation MUST comply with the current I.E.E. Regulations (BS7671 UK) or the appropriate standards in your country.

This appliance is not intended for use by persons (Including children) with reduced physical, sensory or mental capabilities, or lack of experience and knowledge, unless they have been given supervision or instruction concerning use of the appliance by a person responsible for their safety. Children should be supervised to ensure that they do not play with the appliance.

DO NOT connect more than one fan to the Visionex. The maximum load is 600W (Inductive or Resistive).

Note: Visionex does not need a lamp connected in the input or output circuit.

Wiring should be via a fused switched spur fitted with a fuse to suit the appliance being used. The installation MUST be provided with a double pole isolator switch with a contact separation of at least 3mm. The switch should be located outside the room if it contains a fixed bath or shower, or in accordance with mandatory wiring and safety regulations.

When using surface wiring that is not contained in conduit, the cables must be securely clipped to the mounting surface, close to the controller.

Electrical connections depend on the model of fan and the required mode of operation, see the fan leaflet for connection details. Fig.3. shows an example of wiring connections.

Double check the wiring making sure all connections are secure. Using a small flat bladed screw driver carefully unclip the controller front bezel by releasing the 2 clips located at the bottom of the bezel Fig 1.
Fit the Visionex to the mounting box with the two screws provided. Do not over-tighten the screws. Do not trap any wires when fitting the two pieces together. Then replace the front bezel.

Switch the mains supply on and check operation.

COMMISSIONING THE TIMER FUNCTION

TIMER OVERRUN ADJUSTMENT MUST BE CARRIED OUT AT INSTALLATION STAGE.

BEFORE ADJUSTING THE CONTROLLER, ENSURE THAT THE MAINS SUPPLY IS SWITCHED OFF AND ISOLATED.

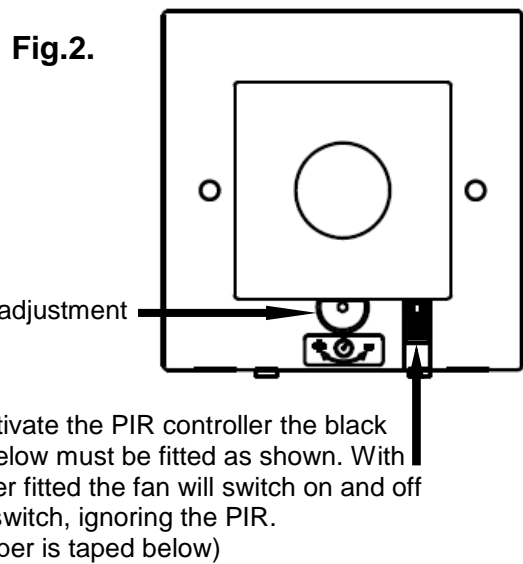
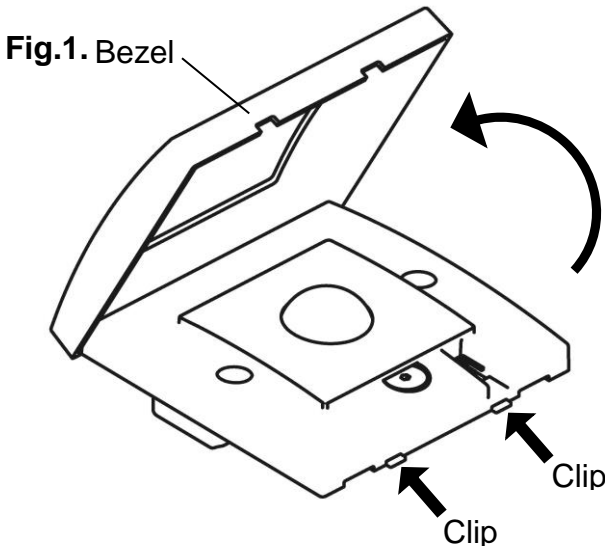
Using a small flat bladed screw driver carefully unclip the controller front bezel by releasing the 2 clips located at the bottom of the bezel Fig 1.
With the bezel removed you can now adjust the timer. Fig 2.

The Visionex is factory set to run on for about 15 minutes after occupation of the room has ended.

TO DECREASE the timer overrun period, turn the adjuster **ANTI-CLOCKWISE** (2 minute minimum)
TO INCREASE the timer overrun period, turn the adjuster **CLOCKWISE**. (30 minute maximum)

Check all the connections and carefully refit the Visionex bezel. Switch the mains supply back ON and check operation.

All regulations and requirements MUST be strictly followed to prevent hazards to life and property both during and after installation, and during any subsequent servicing and maintenance.



PIR sensor detection range

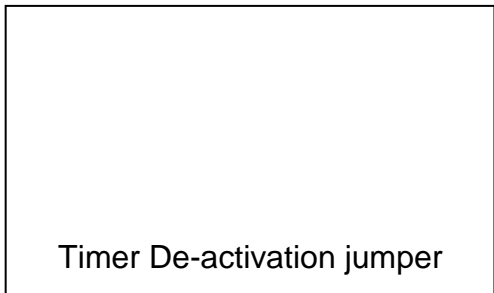
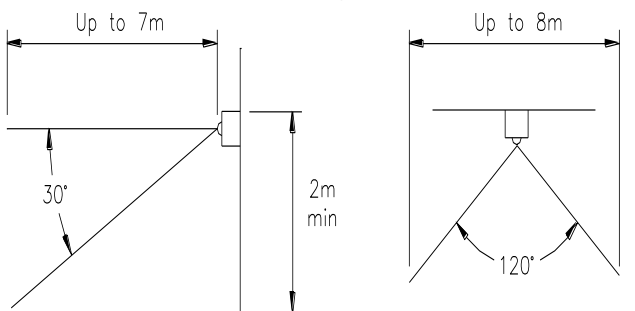
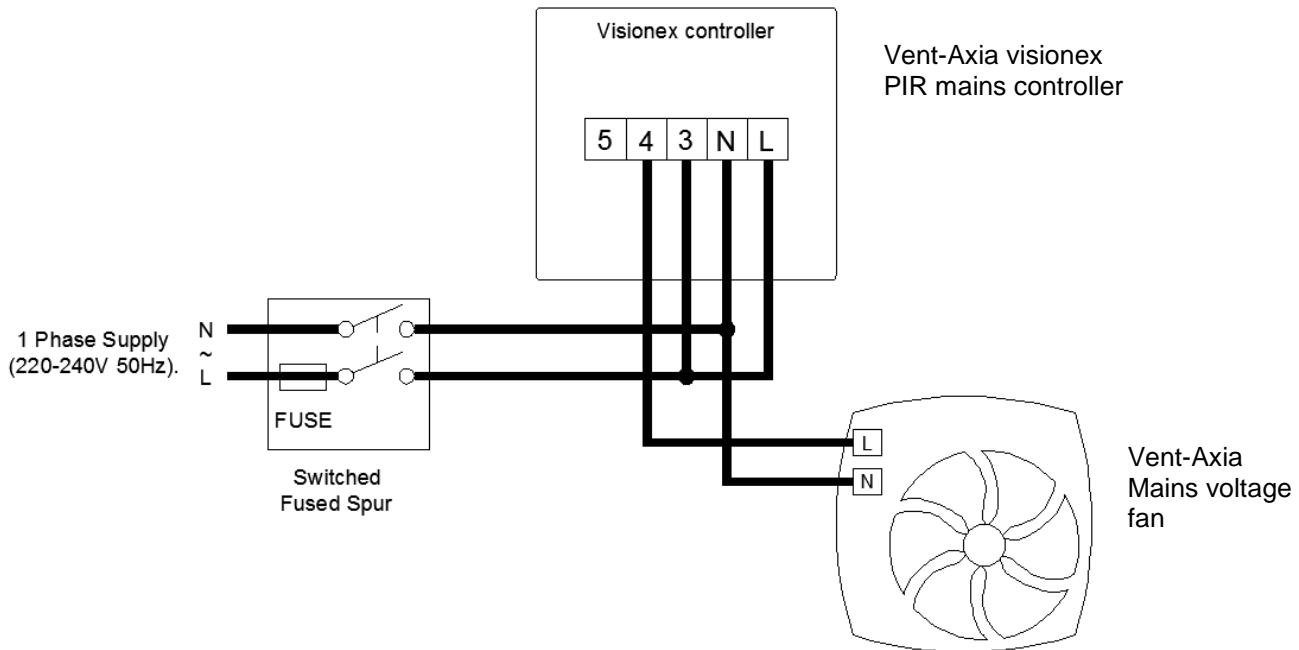


Fig.3. Example wiring connections.

Fan on when relay energised by room occupation, timed overrun period follows end of detected room occupation, off otherwise.



Visionex Terminal Connections

N = Neutral mains supply
 L = Live mains supply
 3 = Relay common contact

4 = Relay normally open contact (closed when room occupied)
 5 = Relay normally closed contact (open when room occupied)

The *Vent-Axia* Guarantee

Applicable only to products installed and used in the United Kingdom. For details of guarantee outside the United Kingdom contact your local supplier.

Vent-Axia guarantees its products for two years from date of purchase against faulty material or workmanship. In the event of any part being found to be defective, the product will be repaired, or at the Company's option replaced, without charge, provided that the product:-

- Has been installed and used in accordance with the instructions given with each unit.
- Has not been connected to an unsuitable electricity supply. (The correct electricity supply voltage is shown on the product rating label attached to the unit).
- Has not been subjected to misuse, neglect or damage.
- Has not been modified or repaired by any person not authorised by the company.

IF CLAIMING UNDER TERMS OF GUARANTEE

Please return the complete product, carriage paid to your original supplier or nearest Vent-Axia Centre, by post or personal visit. Please ensure that it is adequately packed and accompanied by a letter clearly marked "Guarantee Claim" stating the nature of the fault and providing evidence of date and source of purchase.

The guarantee is offered to you as an extra benefit, and does not affect your legal rights

Head Office: Fleming Way, Crawley, West Sussex, RH10 9YX.
 EU Authorised Representative: Vent-Axia Bedrijvenweg 17 7442 CX Nijverdal Nederland. authorisedrep@vent-axia.nl

UK NATIONAL CALL CENTRE, Newton Road, Crawley, West Sussex, RH10 9JA

SALES ENQUIRIES: Tel: 0844 8560590 Fax: 01293 565169
 TECHNICAL SUPPORT Tel: 0844 8560594 Fax: 01293 532814

For details of the warranty and returns procedure please refer to www.vent-axia or write to Vent-Axia, Fleming Way, Crawley, RH10 9YX