

Unitex Roof Cowl System

- Complete weather proofing with low pressure drop
- Size 160 to 250 supplied with bird guard
- Galvanised steel construction additionally protected by a dark brown epoxy powder coat finish (110mm grey PVC)
- Weather apron in stock aluminium
- Suitable for flat or pitched roofs up to 20° as standard
- Can be supplied in special colours to match building design (110mm grey PVC only)



The Unitex Roof Cowl System greatly simplifies the roof termination of mechanical ventilation systems. Consisting of an attractive epoxy finished cowl with a lead weather slate and a range of direct connection reducing fittings. It is suitable for connection to spiral duct, soil pipe and flexible duct from 125 to 250mm diameter.

Product Range

Cowl Assembly

WB160 For ducts from 125 to 160mm
WB200 For ducts from 200 to 250mm

Weather Apron for Flat Roofs

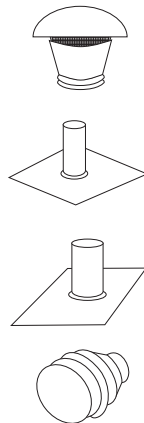
WA160
WA200

Weather Apron for Pitched Roofs (20° MAX)

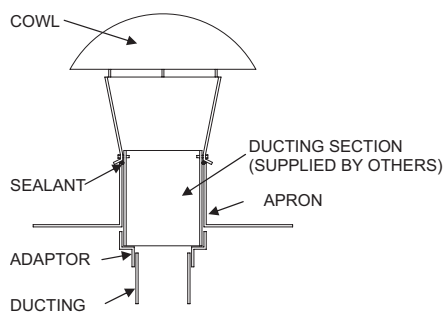
WA160/20
WA200/20

Adaptor

370304 (125 to 150mm)
370309 (200 to 250mm)



Installation with an Adaptor



WB160 with 125mm connection using adaptor 370304
WB200 with 250mm connection using adaptor 370309

Models



110mm (4") Roof System

Description
PVC Roof Cowl
Weather Apron (pitch roofs)

Stock Ref
WRC100
WA100



125mm to 160mm Roof System

Description
Roof Cowl - Standard Colour BSO8B29
Roof Cowl - Non-standard Colour
Weather Apron (flat roofs)

Stock Ref
WB160
WB160C
WA160



200mm to 250mm Roof System

Description
Roof Cowl - Standard Colour BSO8B29
Roof Cowl - Non-standard Colour
Weather Apron (flat roofs)

Stock Ref
WB200
WB200C
WA200

Weather Apron for pitched roof

Description
Weather Apron 20° (max) pitch roof
Weather Apron 20° (max) pitch roof

Stock Ref
WA160/20
WA200/20

Adaptor

Description
OR16012 (125 to 150mm)
OR25020 (200 to 250mm)

Stock Ref
370304
370309