

# **Vent-Axia<sup>®</sup>**

## **ILHT Series In-Line Duct Fans**

Installation & User Instructions



**READ AND SAVE THESE INSTRUCTIONS**

*READ INSTRUCTIONS IN CONJUNCTION WITH ILLUSTRATIONS*



## INSTALLATION AND WIRING INSTRUCTIONS FOR VENT-AXIA IN-LINE DUCT FANS



### **IMPORTANT: READ THESE INSTRUCTIONS BEFORE COMMENCING THE INSTALLATION**

We recommend that you check the following points upon reception of the fan:

- 1- That the size is correct.
- 2- That the version is correct
- 3- That the details stated on the rating plate of the motor are the ones needed, such as voltage, frequency, speed, etc.

### **SAFETY AND GUIDANCE NOTES**

- A.** All wiring to be in accordance with the current I.E.E. Regulations or the appropriate standards of your country regarding electrical installations and fire protection installations and **MUST** be installed by a suitably qualified person.
- B.** Ensure that the mains supply (Voltage, Frequency, and Phase) complies with the rating label.
- C.** The Fan should only be used in conjunction with the appropriate Vent-Axia products.

## **Installation**

The fans of this range have been specially designed to be mounted in a ducting system. As a general rule and to avoid disturbances that would increase the pressure drop of the installation, it is recommended not to put any kind of ducting accessory or modification ( bends, reductions, registers...) at a distance shorter than approximately one cross diameter of the fan outlet / inlet.

In case of using flexible couplings, check that the cloth material is tight.

Before connecting to the mains supply, check that the impeller rotates freely and in the right direction.

## **Electrical connection**



Check that the values of voltage and frequency of the mains supply are the same as those stated on the rating plate of the motor ( maximum tolerance +/- 5% on voltage and frequency)

To make the connection to the mains supply, please follow the diagrams supplied inside the terminal box of the motor and on the next page.

Check that the unit has been properly earthed.

Before carrying out any maintenance on the unit, check that it is disconnected from the mains supply, even if it has stopped.

**ROUTINE INSPECTION AND MAINTENANCE**

*ISOLATE THE FAN FROM THE ELECTRICAL SUPPLY AND ENSURE THAT IT CANNOT BE RECONNECTED DURING THE INSPECTION/MAINTENANCE.*

1. The fan should, at intervals appropriate to the installation, be inspected and cleaned to ensure there is no build up of dirt or other deposits on the impeller or the motor. (Caution - Take care not to dislodge any balance weights which may be fitted to the impeller). If the fan is handling dust laden air it is recommended that a filter is installed.
2. The fan motors are fitted with sealed for life/maintenance free bearings and do not require lubrication.

This fan has been manufactured to extract air at 400° 2H during 2 hours and is certified by an official laboratory ( CTICM- PV n° 96E287 P).

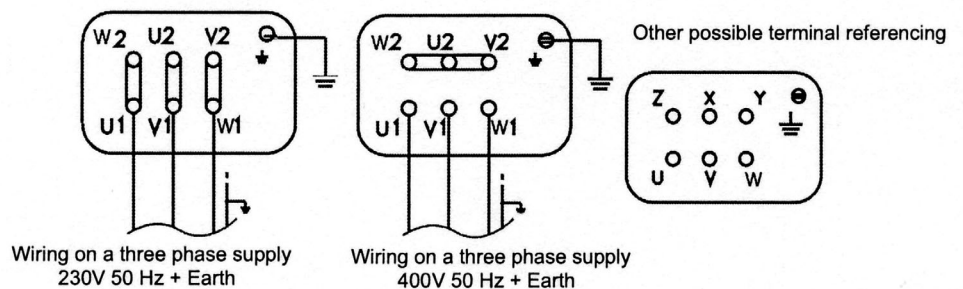
If this unit is intended to operate only in the event of fire, it has to be checked periodically.

**OVERHEATING PROTECTION**

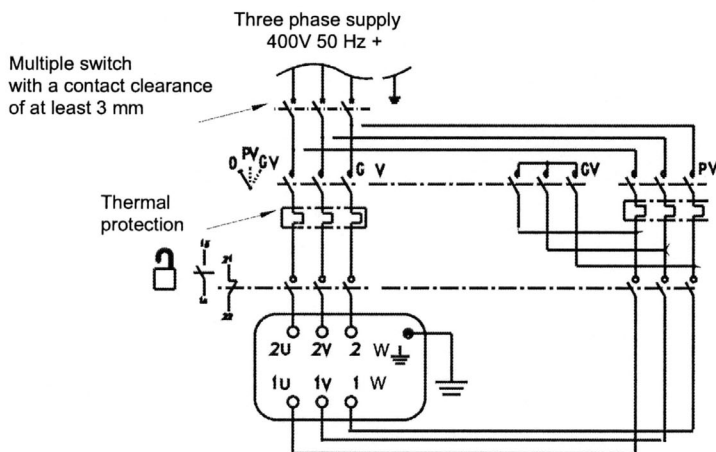
The fan motors are fitted with Standard Thermal Overload Protection. This will automatically switch the fan off in the event of a fault condition. If this occurs, isolate the fan from the power supply and check for any obstruction. Leave the fan for a short period of time for the motor to cool before reconnecting the power supply. If the fault reoccurs isolate the power supply and call a service engineer

**WIRING DIAGRAMS**

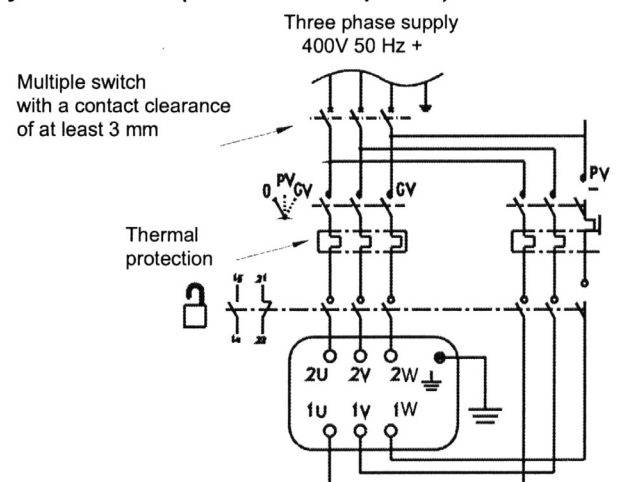
*Three phase motor single speed 230V/400V 50Hz*



*Three phase motor Dahlander type  
2 Speed 400V 50Hz  
symbol: Y/YY (4/8 and 6/12 pôles)*



*Three phase motor of independent windings  
2 speed 400V 50Hz  
symbol: Y/Y (4/6 and 6/8 pôles)*



# VENT-AXIA SALES CENTRES

## ENGLAND & WALES NATIONAL CALL CENTRE

Newton Road, Crawley  
West Sussex  
RH10 9JA

Telephone: 01293 530202  
Fax: 01293 565169

## SCOTLAND

Telephone: 0141 429 1166  
Fax: 01293 565169

## REPUBLIC OF IRELAND

Vent-Axia Ventilation Ltd.  
921 Western Road Industrial Estate  
Naas Road, Dublin 12.

Telephone: (01) 450 4133  
Fax: (01) 450 4570

Did you find these instructions easy to use?

We value your comments, contact us via:

Email: [info@vent-axia.com](mailto:info@vent-axia.com)

## The Vent-Axia Guarantee

Applicable only to products installed and used in the United Kingdom. For details of the Guarantee outside of the United Kingdom contact your local supplier.

Vent-Axia guarantees this product for two years from the date of purchase against faulty material or workmanship. In the event of any part being found to be defective, the product will be repaired, or at the Company's discretion the product will be replaced without charge, provided that the product:

- 1). Has been installed and used in accordance with the instruction given with each unit.
- 2). The electricity supply complies with the rating label.
- 3). Has not been misused, neglected or damaged.
- 4). Has not been modified or repaired by any person not authorised to do so by Vent-Axia.

### IF CLAIMING UNDER THE TERMS OF THE GUARANTEE

Please return the complete product, carriage paid to your original supplier by post or in person. Please ensure that it is adequately packed and accompanied by a letter clearly marked 'Guarantee Claim' stating the nature of the fault and providing proof of the date and source of purchase.

As part of the policy of continuous product improvement Vent-Axia reserve the right to alter specifications without notice

# **Vent-Axia**<sup>®</sup>

**Head Office:** Fleming Way, Crawley, West Sussex RH10 9YX

**Tel:** 01293 526062      **Fax:** 01293 551188

Internet site at: [www.vent-axia.com](http://www.vent-axia.com)