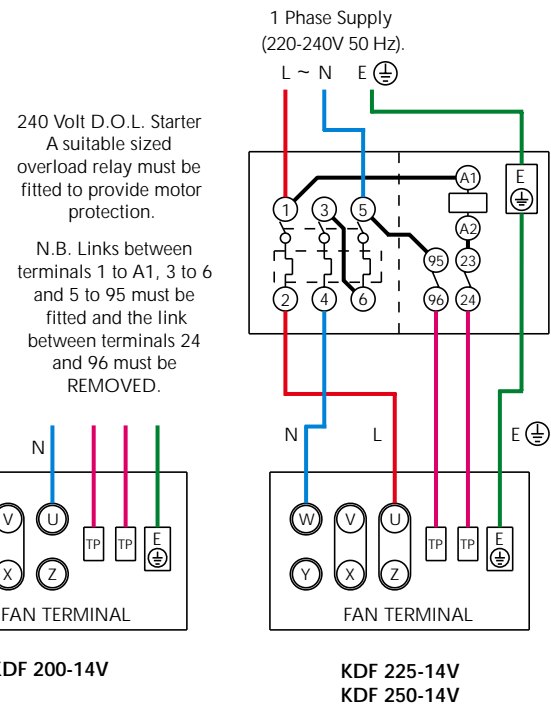
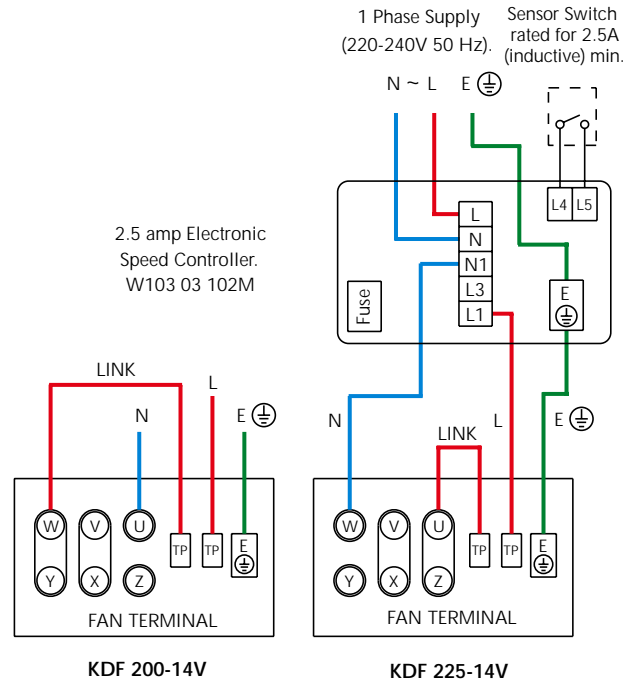


VENT-AXIA EUROFLOW™ RECTANGULAR IN-LINE FANS WIRING DIAGRAMS

SINGLE PHASE FAN CONNECTED TO A D.O.L. STARTER

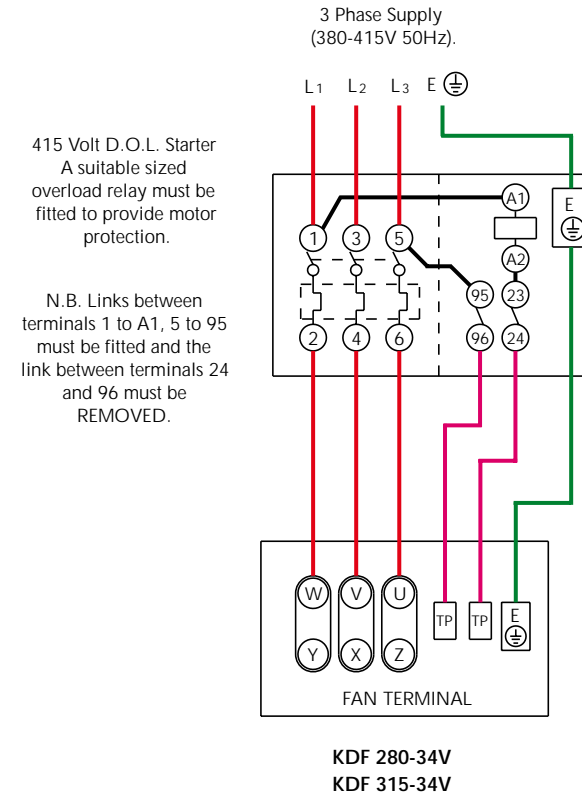


SINGLE PHASE FAN CONNECTED TO A 2.5 AMP ELECTRONIC SPEED CONTROLLER

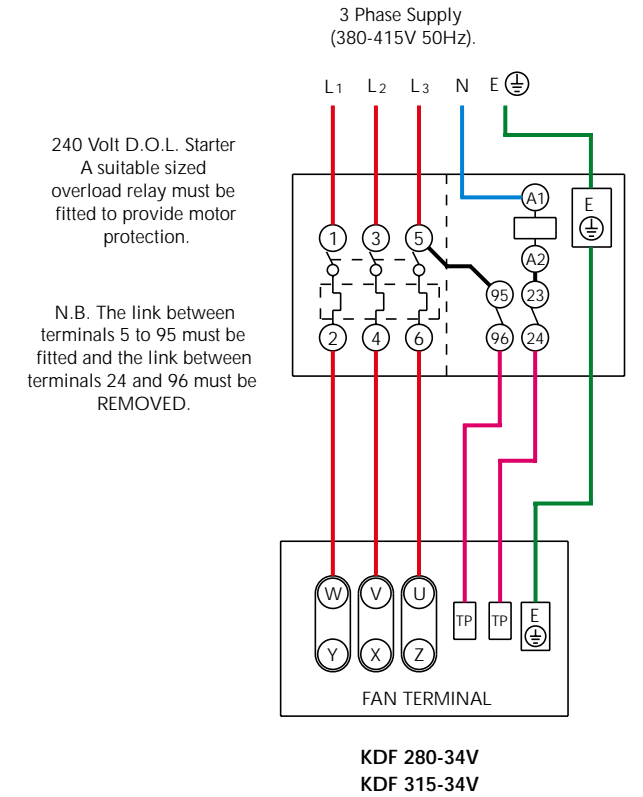


EUROFLOW™ RECTANGULAR IN-LINE FANS WIRING DIAGRAMS

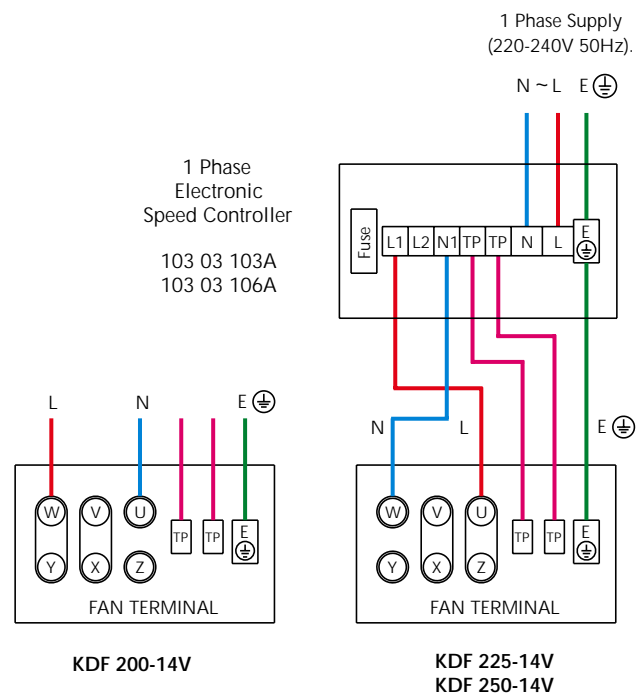
THREE PHASE FAN CONNECTED TO A 415V D.O.L. STARTER



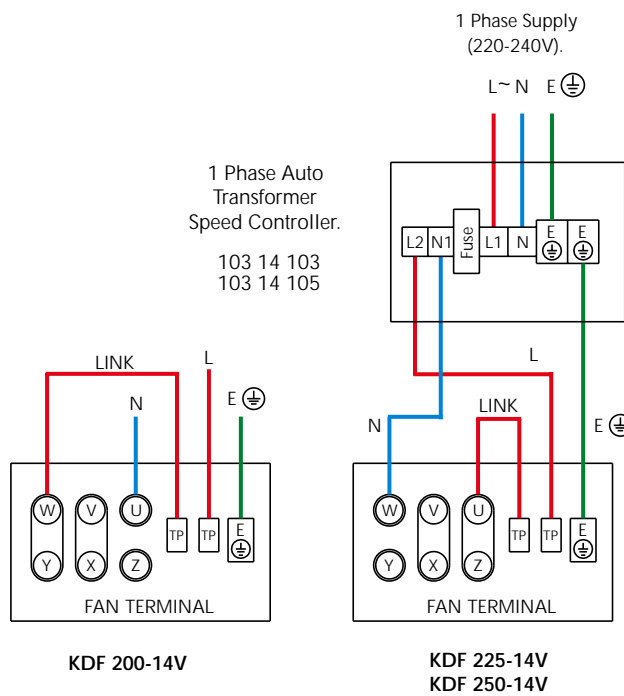
THREE PHASE FAN CONNECTED TO A 240V D.O.L. STARTER



SINGLE PHASE FAN CONNECTED TO A 3.0 OR 6.0 AMP ELECTRONIC SPEED CONTROLLER



SINGLE PHASE FAN CONNECTED TO A 3.0 OR 5.0 AMP AUTO TRANSFORMER SPEED CONTROLLER



THREE PHASE FAN CONNECTED TO A 4.0 OR 7.0 AMP AUTO TRANSFORMER SPEED CONTROLLER

