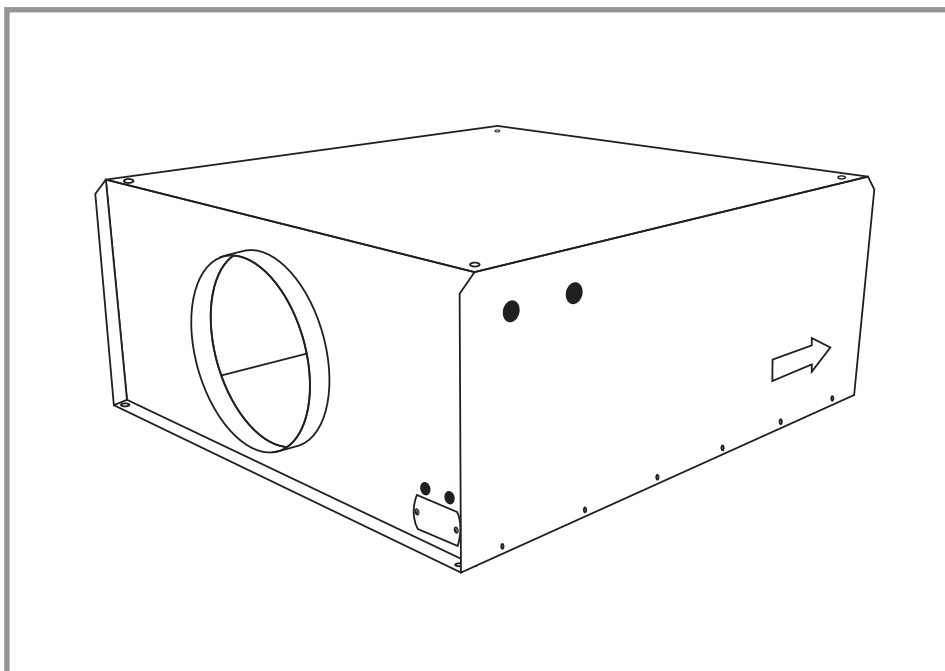


EC Slimpak Fan

Twin In-line Duct Fan Range (SLPT EC)

Installation and Wiring Instructions



SLPT100EC
SLPT125EC
SLPT150EC
SLPT200EC
SLPT250EC
SLPT315EC
SLPT400EC
SLPT500EC

Vent-Axia[®]

PLEASE READ ALL INSTRUCTIONS CAREFULLY BEFORE STARTING INSTALLATION.
THESE INSTRUCTIONS SHOULD BE LEFT WITH THE END USER





IMPORTANT: READ THESE INSTRUCTIONS BEFORE COMMENCING THE INSTALLATION

IMPORTANT SAFETY INFORMATION

1. DO NOT install this product in areas where the following may be present or occur:
2. Excessive oil or a grease laden atmosphere.
3. Corrosive or flammable gases, liquids or vapours.
4. Subject to direct water spray from hoses.
5. Ambient temperatures higher than 40°C or less than -20°C.
6. Possible obstructions which would hinder the access or removal of the Fan.
7. All wiring must be in accordance with the current IEE wiring regulations BS7671, or appropriate standards of your country. Installation should be inspected and tested by a suitably qualified person after completion.
8. Ensure the mains supply (voltage, frequency and phase) complies with the rating label.
9. A means for electrical disconnection must be incorporated in the fixed wiring to the unit in accordance with the wiring rules having a contact separation in all poles of at least 3mm.
10. These units must be earthed.
11. Precautions must be taken to avoid the back-flow of gases into the building from the open flue of gas or other fuel-burning appliances.
12. This appliance is not intended for use by persons (including children) with reduced physical, sensory or mental capabilities, or lack of experience and knowledge, unless they have been given supervision or instruction concerning use of the appliance by a person responsible for their safety.
13. Young children should be supervised to ensure that they do not play with the appliance.
14. CAUTION: In order to avoid a hazard due to inadvertent resetting of the thermal cut-out, this appliance must not be supplied through an external switching device, such as a timer, or connected to a circuit that is regularly switched on and off by the utility.
15. These units are rated IP22 and are not suitable for outside use.

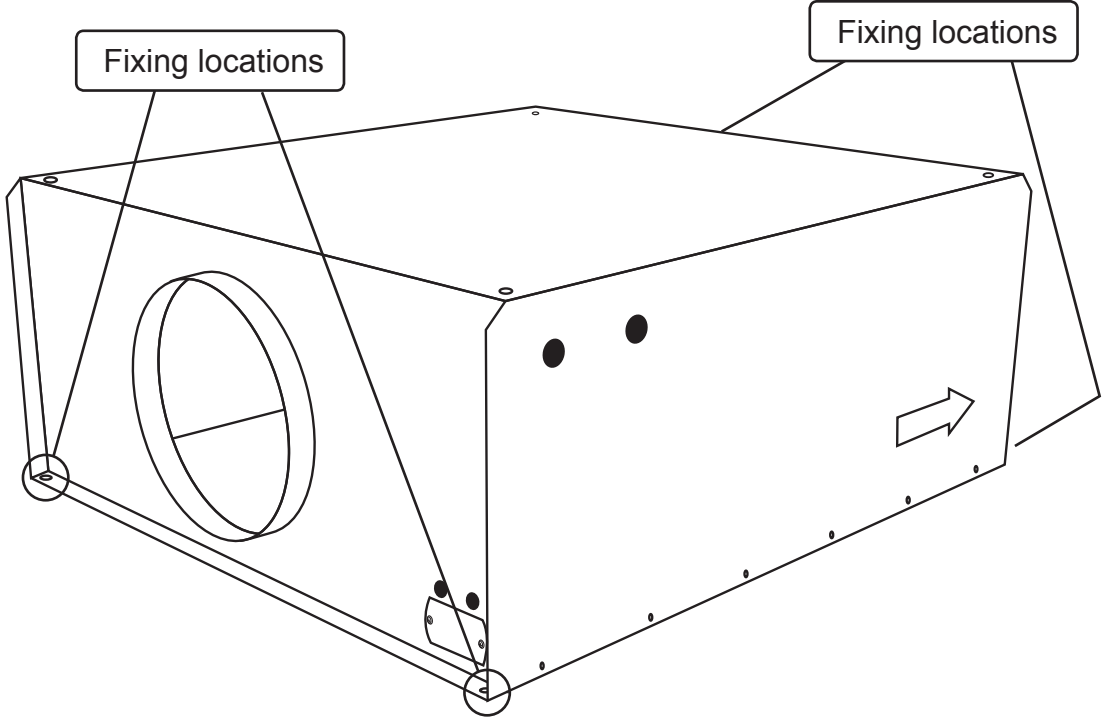
INSTALLATION GUIDANCE:

1. The installer is responsible for the installation and electrical connection of the system on site. It is the responsibility of the installer to ensure that the equipment is safely and securely installed and left only when mechanically and electrically safe.
2. Short duct runs terminating close to the fan (i.e. within 1.5m) require suitable guards.
3. All regulations and requirements must be strictly followed to prevent hazards to life and property, both during and after installation, and during any subsequent servicing and maintenance.
4. Certain applications may require the installation of sound attenuation to achieve the sound levels required.
5. The twin fan units are intended for duty standby operation and are not designed for simultaneous operation of both fans.
6. The ECDC fans fitted to these units are not designed for rapid on-off switching via the mains when installing twin fan units with duty sharing controls the minimum period for switching between fans should not be less than 30 minutes.
7. SLPT EC units are designed and specified for use with Vent-Axia controls, dampers, grilles and accessories.
8. All mains connections to the unit using flexible wiring or any additional controls wiring must use cable glands sufficient to retain the IP rating of the unit and provide cable retention to the requirements of EN60335-1 Clause 25.15.
9. The fixings and anchors used to suspend and mount the unit must be compatible with the unit's weight. Suitable drop rods and anti-vibration mounts can be used.
10. Due to the weight of the units it is recommended that two people are involved in the installation.
11. It is recommended that flexible connections are used between the unit and rigid ducting.

1a

For floor or ceiling mounting

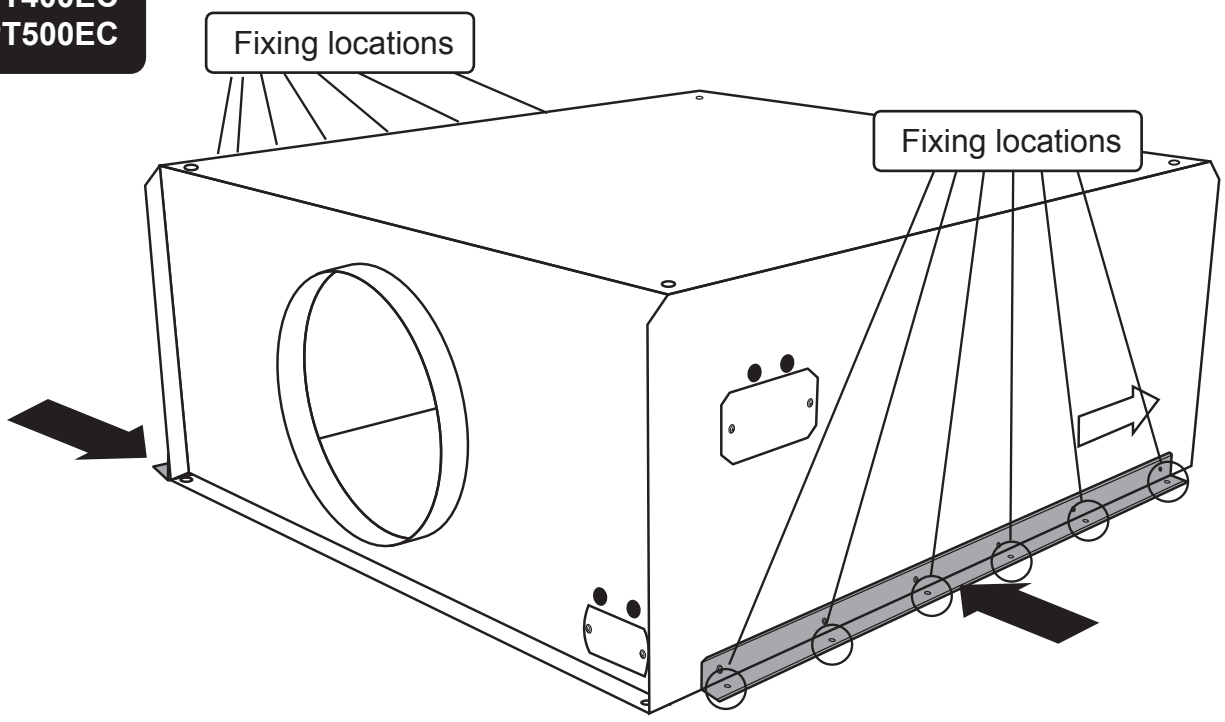
**SLPT100EC
SLPT125EC
SLPT150EC**



1b

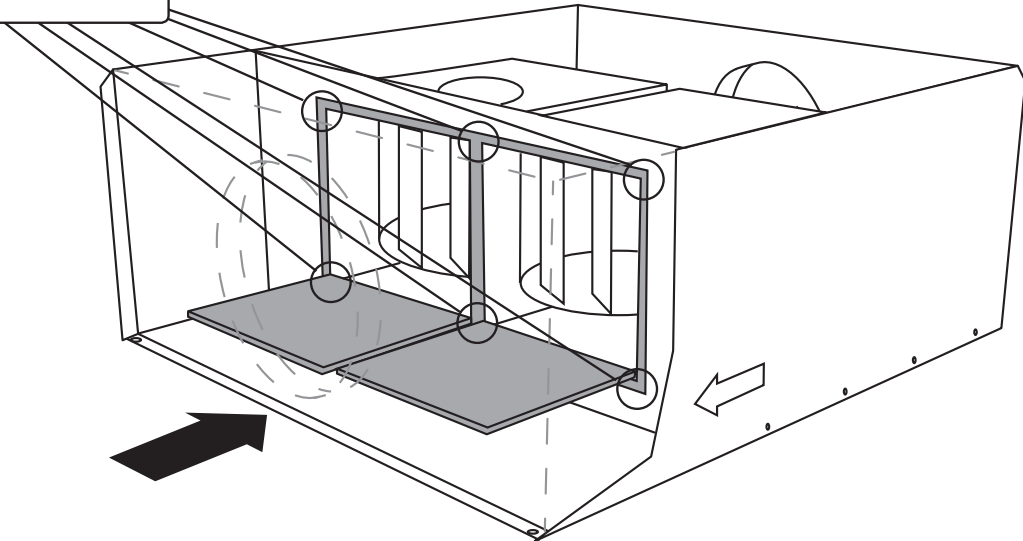
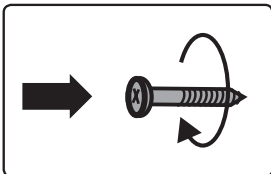
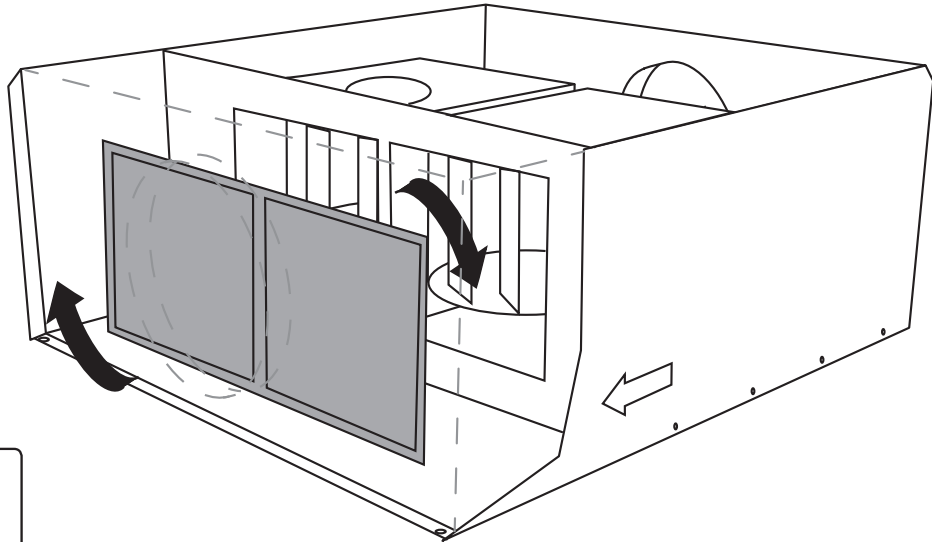
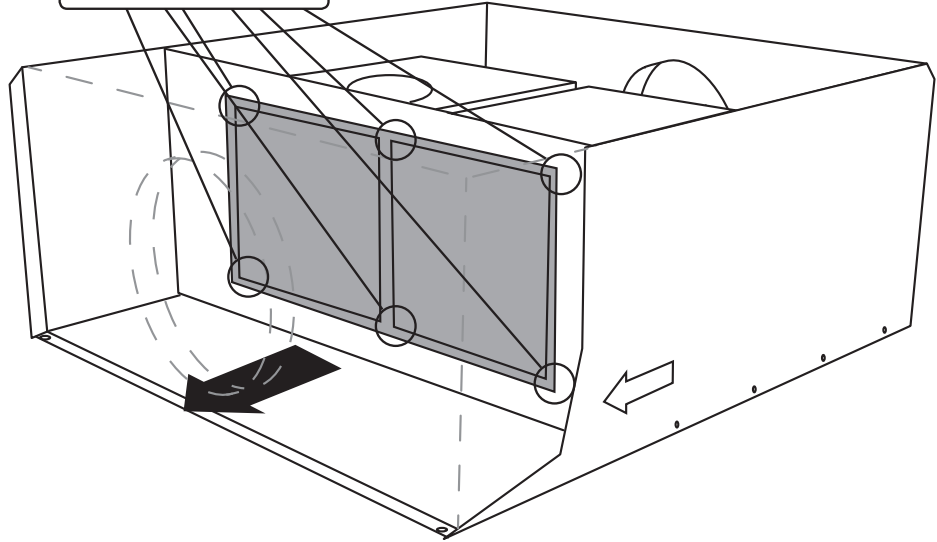
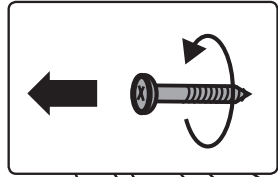
For floor or ceiling mounting

**SLPT200EC
SLPT250EC
SLPT315EC
SLPT400EC
SLPT500EC**



Reorientating shutters for ceiling mounting twin fans

- SLPT100EC
- SLPT125EC
- SLPT150EC
- SLPT200EC
- SLPT250EC
- SLPT315EC
- SLPT400EC
- SLPT500EC

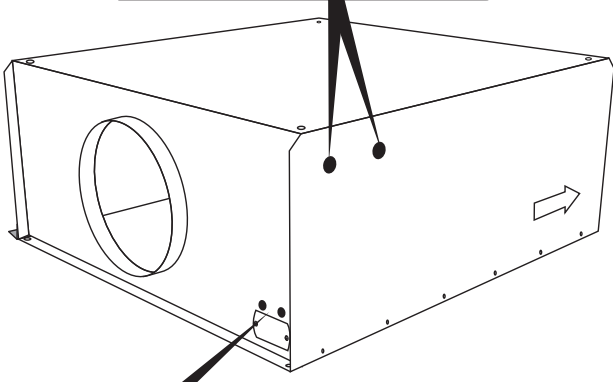


3

Cable entry locations

**SLPT100EC
SLPT125EC
SLPT150EC
SLPT200EC
SLPT250EC**

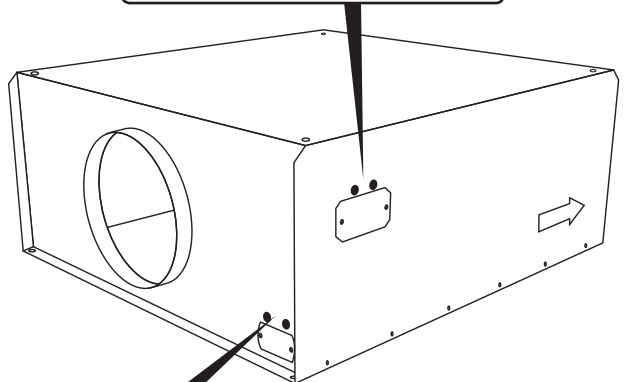
mains wiring cable entry



control wiring cable entry

**SLPT315EC
SLPT400EC
SLPT500EC**

mains wiring cable entry



control wiring cable entry

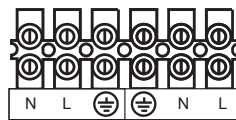
4a

Twin fan units with internal mains connection access

**SLPT100EC
SLPT125EC
SLPT150EC
SLPT200EC
SLPT250EC**

Note: ALL twin fan units to be connected to a suitable auto-changeover control.
Vent-Axia 476367 recommended

single phase terminals twin fan



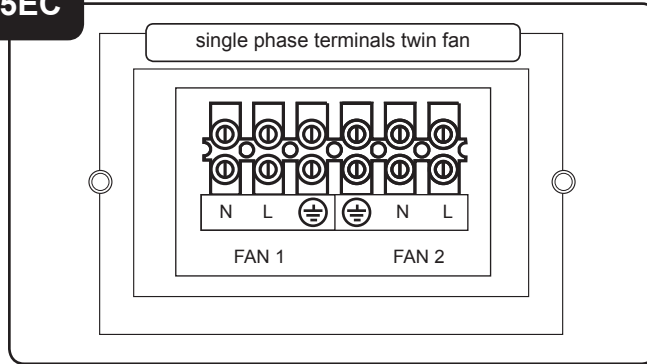
FAN 1
Fan 1

FAN 2
Fan 2

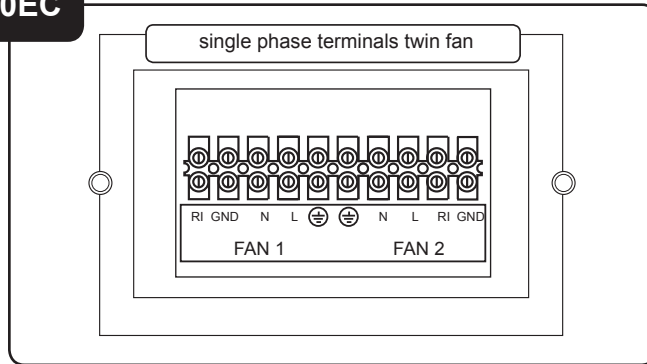
4b

Twin fan units with external mains connection access

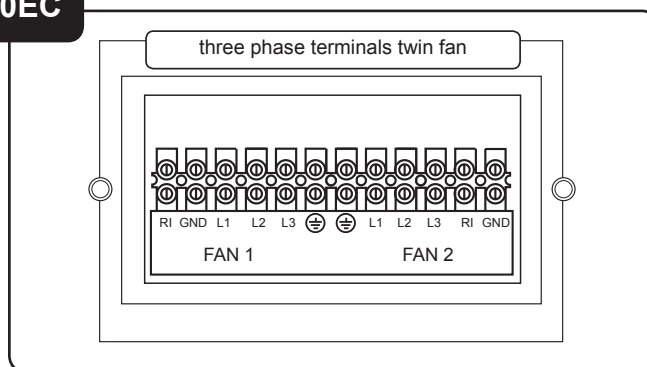
SLPT315EC



SLPT400EC



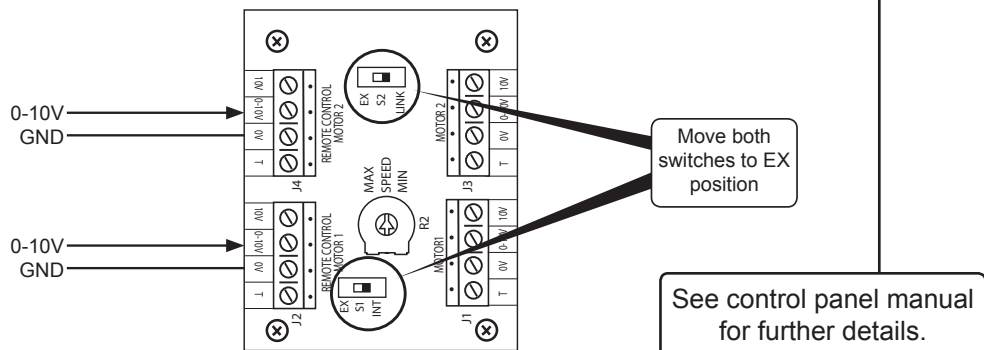
SLPT500EC



5

ALL UNITS

Control panel wiring for auto-changer control



6

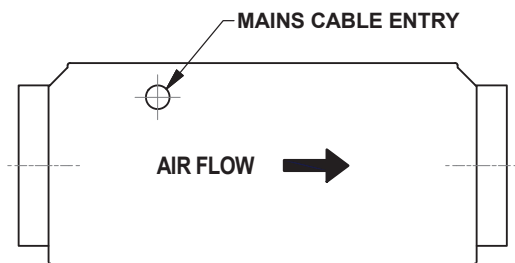
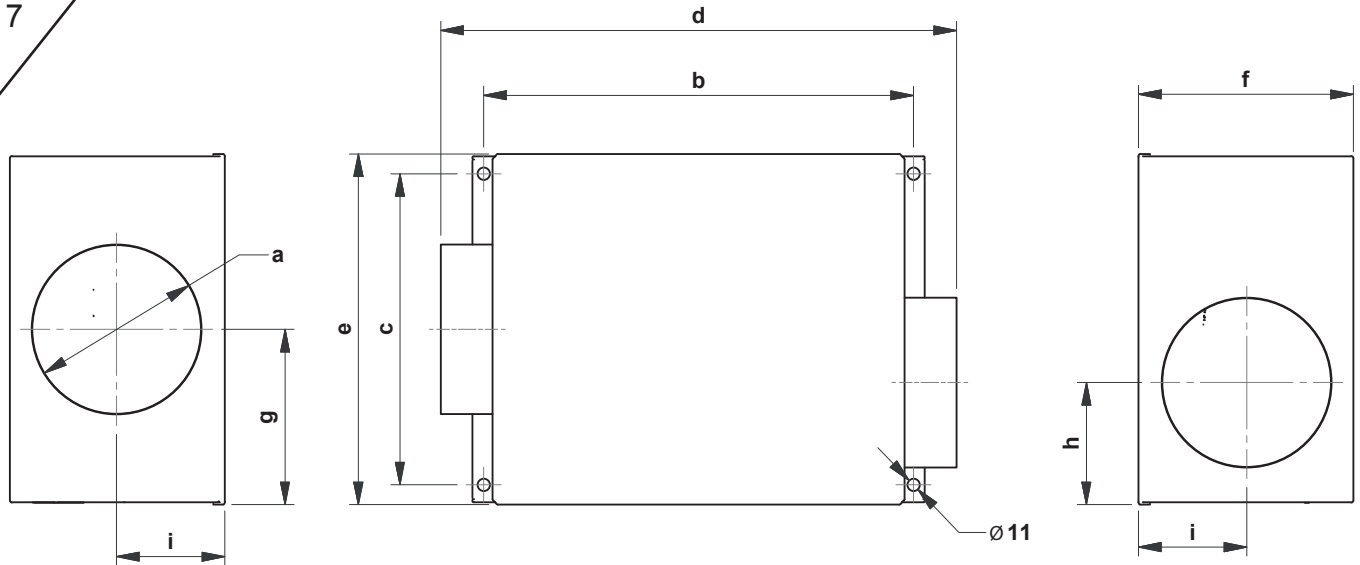
SLP EC IN-LINE DUCT FAN RANGE
COMPATIBLE CONTROLS

476367 EC Fan Changeover Controller



Note: 476367 EC Fan Changeover Controller provides
integral trickle/boost functionality

7



DIMENSIONS (mm)										
MODEL	a	b	c	d	e	f	g	h	i	WEIGHT kg
SLPT100EC	100	610	591	705	622	256	311	311	128	26
SLPT125EC	125	610	591	705	622	256	311	311	128	26
SLPT150EC	150	610	591	705	622	256	311	311	128	26
SLPT200EC	200	801	703	896	734	343	367	367	172	39
SLPT250EC	250	925	798	1020	829	354	415	415	177	48
SLPT315EC	315	1255	1145	1353	1176	536	588	588	268	88
SLPT400EC	400	1255	1145	1353	1176	536	588	588	268	90
SLPT500EC	500	1492	1533	1590	1564	675	782	782	338	175

8

SLPEC FAN SPARES LIST

Component	Applicable Models	Part Number
Motorised Impeller	SLPTEC 100, 125, 150	434597
Motorised Impeller	SLPT200EC	434598
Motorised Impeller	SLPT250EC	434599
Motorised Impeller	SLPT315EC	434600
Motorised Impeller	SLPT400EC	434601
Motorised Impeller	SLPT500EC	434602
Control PCB	SLPT EC COMPLETE RANGE	475771

Vent-Axia[®]

Head Office: Fleming Way, Crawley, West Sussex, RH10 9YX.

UK NATIONAL CALL CENTRE, Newton Road, Crawley, West Sussex, RH10 9JA

SALES ENQUIRIES: Tel: 0844 8560590 Fax: 01293 565169

TECHNICAL SUPPORT: Tel: 0844 8560593 Fax: 01293 539209

For details of the warranty and returns procedure please refer to www.vent-axia.com or write to Vent-Axia Ltd, Fleming Way, Crawley, RH10 9YX