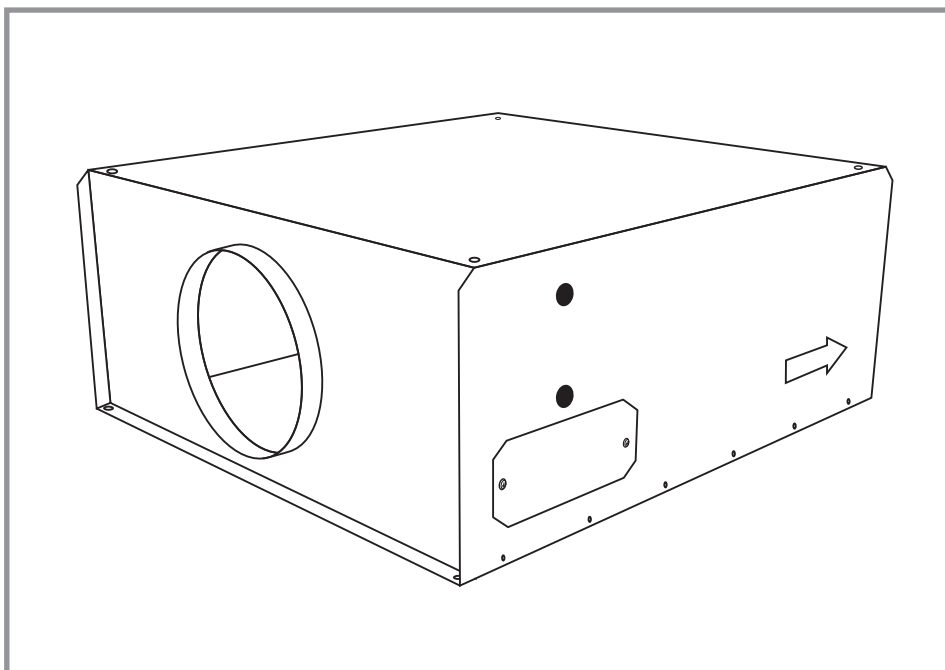


# EC Slimpak Fan

## Single In-line Duct Fan Range (SLP EC)

### Installation and Wiring Instructions



SLP100EC  
SLP125EC  
SLP150EC  
SLP200EC  
SLP250EC  
SLP315EC  
SLP400EC  
SLP500EC

***Vent-Axia***<sup>®</sup>

PLEASE READ ALL INSTRUCTIONS CAREFULLY BEFORE STARTING INSTALLATION.  
THESE INSTRUCTIONS SHOULD BE LEFT WITH THE END USER





## **IMPORTANT: READ THESE INSTRUCTIONS BEFORE COMMENCING THE INSTALLATION**

### **IMPORTANT SAFETY INFORMATION**

1. DO NOT install this product in areas where the following may be present or occur:
2. Excessive oil or a grease laden atmosphere.
3. Corrosive or flammable gases, liquids or vapours.
4. Subject to direct water spray from hoses.
5. Ambient temperatures higher than 40°C or less than -20°C.
6. Possible obstructions which would hinder the access or removal of the Fan.
7. All wiring must be in accordance with the current IEE wiring regulations BS7671, or appropriate standards of your country. Installation should be inspected and tested by a suitably qualified person after completion.
8. Ensure the mains supply (voltage, frequency and phase) complies with the rating label.
9. A means for electrical disconnection must be incorporated in the fixed wiring to the unit in accordance with the wiring rules having a contact separation in all poles of at least 3mm.
10. These units must be earthed.
11. Precautions must be taken to avoid the back-flow of gases into the building from the open flue of gas or other fuel-burning appliances.
12. This appliance is not intended for use by persons (including children) with reduced physical, sensory or mental capabilities, or lack of experience and knowledge, unless they have been given supervision or instruction concerning use of the appliance by a person responsible for their safety.
13. Young children should be supervised to ensure that they do not play with the appliance.
14. CAUTION: In order to avoid a hazard due to inadvertent resetting of the thermal cut-out, this appliance must not be supplied through an external switching device, such as a timer, or connected to a circuit that is regularly switched on and off by the utility.
15. These units are rated IP22 and are not suitable for outside use.

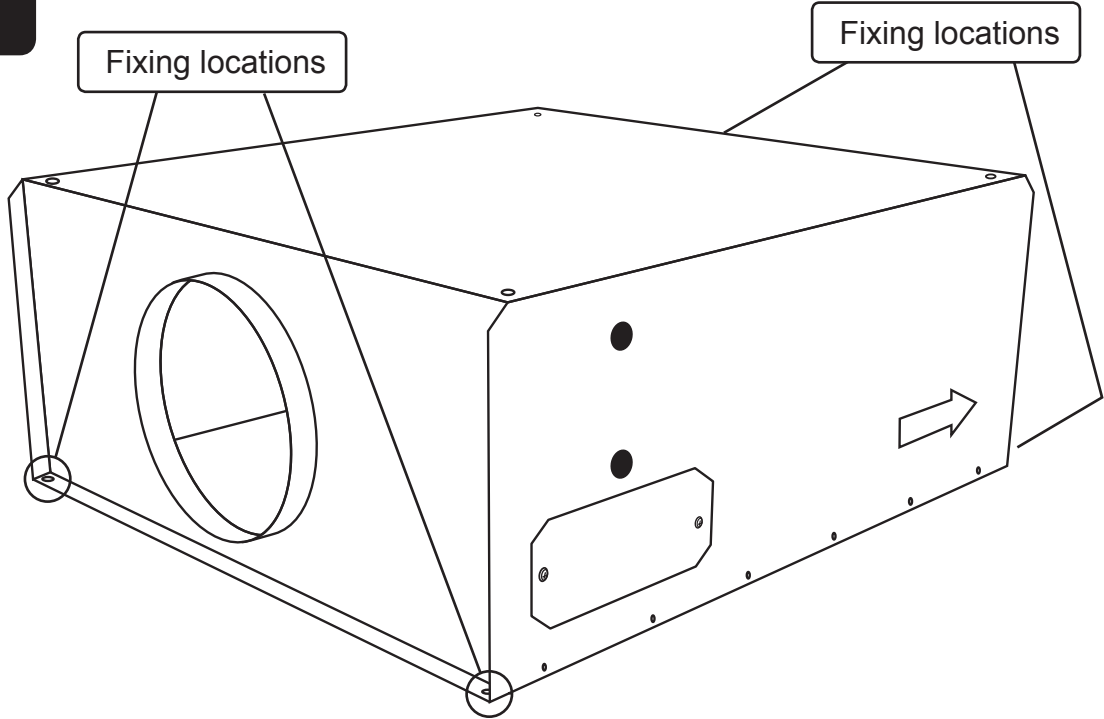
### **INSTALLATION GUIDANCE:**

1. The installer is responsible for the installation and electrical connection of the system on site. It is the responsibility of the installer to ensure that the equipment is safely and securely installed and left only when mechanically and electrically safe.
2. Short duct runs terminating close to the fan (i.e. within 1.5m) require suitable guards.
3. All regulations and requirements must be strictly followed to prevent hazards to life and property, both during and after installation, and during any subsequent servicing and maintenance.
4. Certain applications may require the installation of sound attenuation to achieve the sound levels required.
5. SLPEC units are designed and specified for use with Vent-Axia controls, dampers, grilles and accessories.
6. All mains connections to the unit using flexible wiring or any additional controls wiring must use cable glands sufficient to retain the IP rating of the unit and provide cable retention to the requirements of EN60335-1 Clause 25.15.
7. The fixings and anchors used to suspend and mount the unit must be compatible with the unit's weight. Suitable drop rods and anti-vibration mounts can be used.
8. Due to the weight of the units it is recommended that two people are involved in the installation.
9. It is recommended that flexible connections are used between the unit and rigid ducting.

1a

For floor or ceiling mounting

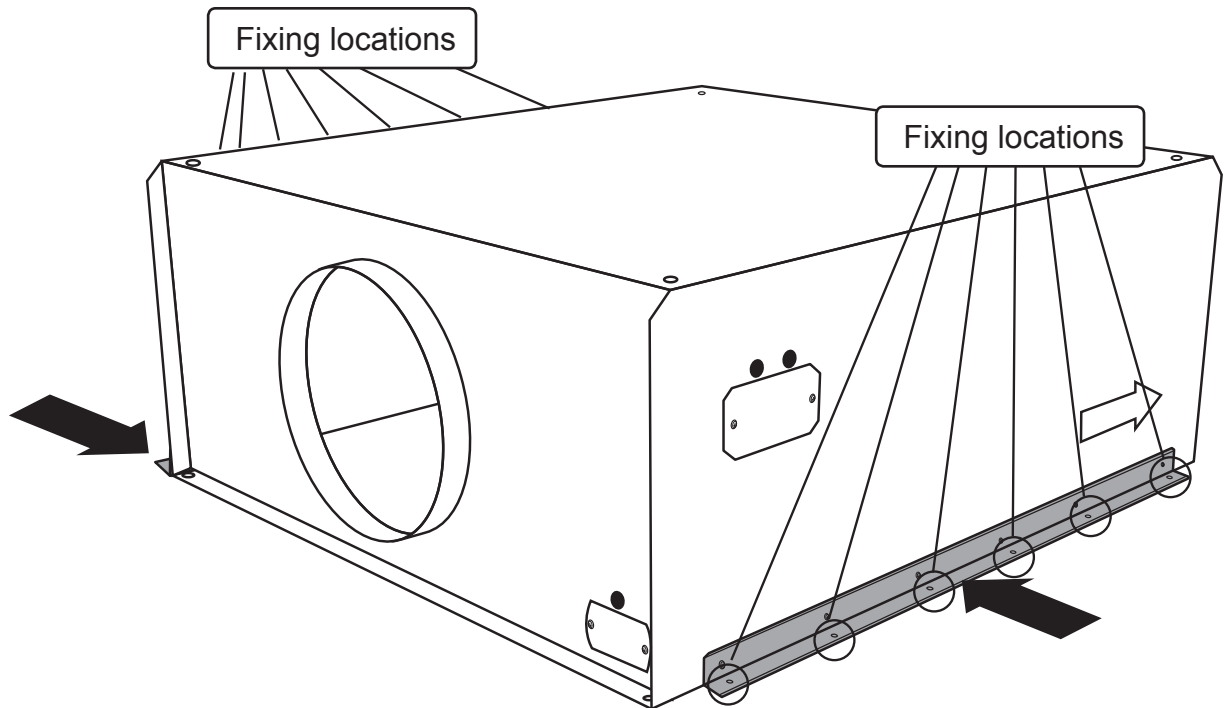
**SLP100EC  
SLP125EC  
SLP150EC  
SLP200EC  
SLP250EC**



1b

For floor or ceiling mounting

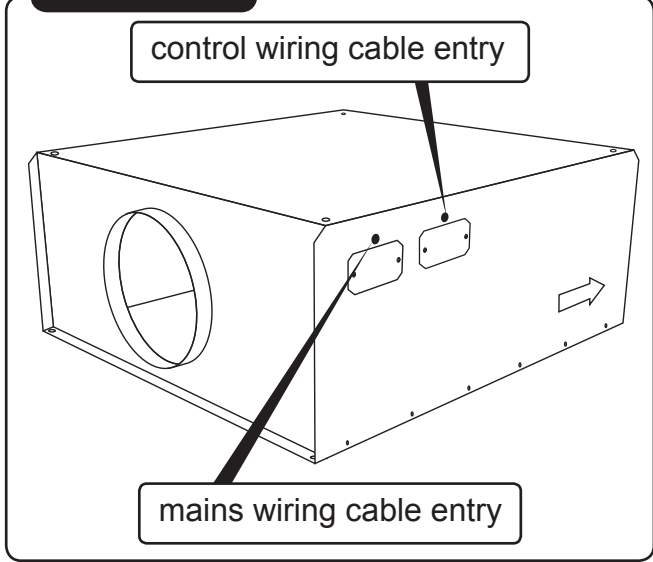
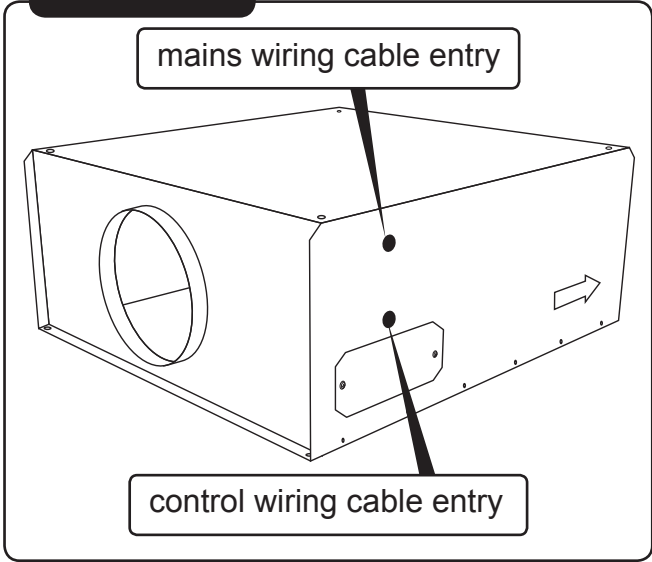
**SLP315EC  
SLP400EC  
SLP500EC**



Cable entry locations

**SLP100EC  
SLP125EC  
SLP150EC  
SLP200EC  
SLP250EC**

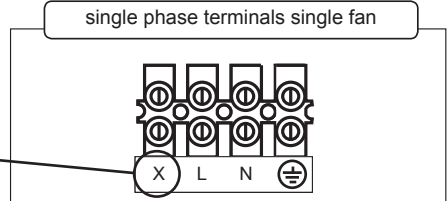
**SLP315EC  
SLP400EC  
SLP500EC**



Single fan units with internal mains connection access

**SLP100EC**  
**SLP125EC**  
**SLP150EC**  
**SLP200EC**  
**SLP250EC**

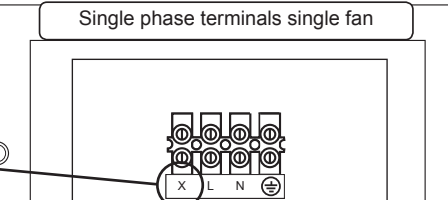
Note:  
 X is not used



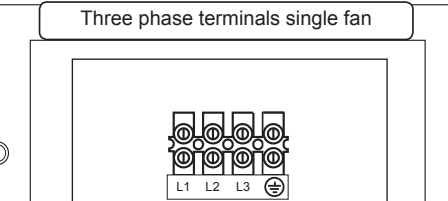
Single fan units with external mains connection access

**SLP315EC**  
**SLP400EC**

Note:  
 X is not used



**SLP500EC**

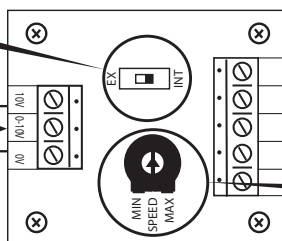


**ALL UNITS**

Control panel wiring for external speed control

Move switch to EX position

10V  
 0-10V  
 GND



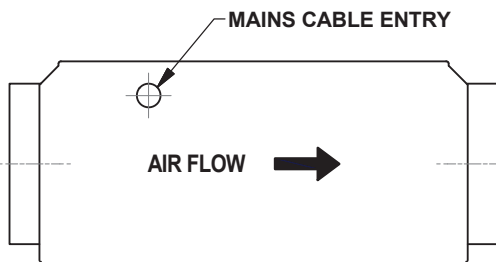
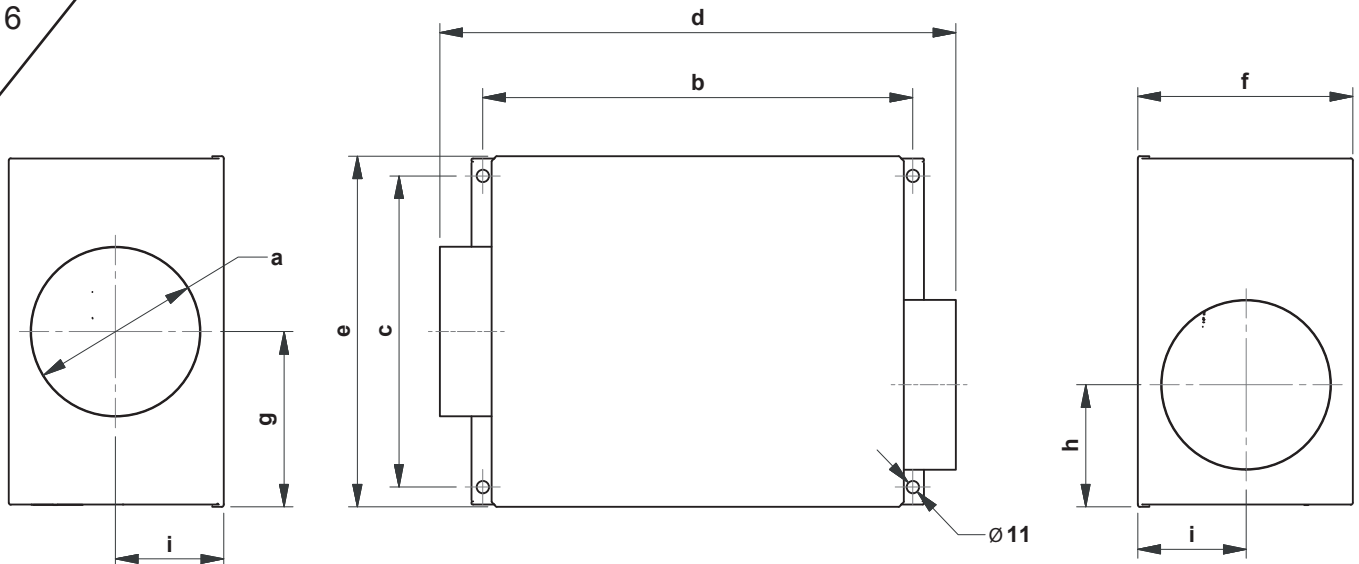
Internal speed control ONLY

5

SLP EC IN-LINE DUCT FAN RANGE  
COMPATIBLE CONTROLS

10520602 Remote Speed Control	✓
475775 Trickle/ Boost Controller	✓

6



DIMENSIONS (mm)										
MODEL	a	b	c	d	e	f	g	h	i	WEIGHT kg
SLP100EC	100	380	275	456	310	192	155	108	96	7.5
SLP125EC	125	380	275	456	310	192	155	108	96	7.5
SLP150EC	150	380	275	456	310	192	155	108	96	7.5
SLP200EC	200	435	330	511	364	287	182	122	143	12
SLP250EC	250	435	330	511	364	287	182	122	143	13
SLP315EC	315	710	540	785	572	460	286	243	230	33
SLP400EC	400	710	540	785	572	460	286	243	230	36
SLP500EC	500	898	735	975	770	577	385	326	286	58

7

SLPEC FAN SPARES LIST

Component	Applicable Models	Part Number
Motorised Impeller	SLPEC 100, 125, 150	434597
Motorised Impeller	SLP200EC	434598
Motorised Impeller	SLP250EC	434599
Motorised Impeller	SLP315EC	434600
Motorised Impeller	SLP400EC	434601
Motorised Impeller	SLP500EC	434602
Control PCB	SLP EC	475753



# **Vent-Axia**<sup>®</sup>

Head Office: Fleming Way, Crawley, West Sussex, RH10 9YX.

**UK NATIONAL CALL CENTRE**, Newton Road, Crawley, West Sussex, RH10 9JA

SALES ENQUIRIES:           Tel: 0844 8560590           Fax: 01293 565169

TECHNICAL SUPPORT:       Tel: 0844 8560593           Fax: 01293 539209

For details of the warranty and returns procedure please refer to [www.vent-axia.com](http://www.vent-axia.com) or write to Vent-Axia Ltd, Fleming Way, Crawley, RH10 9YX