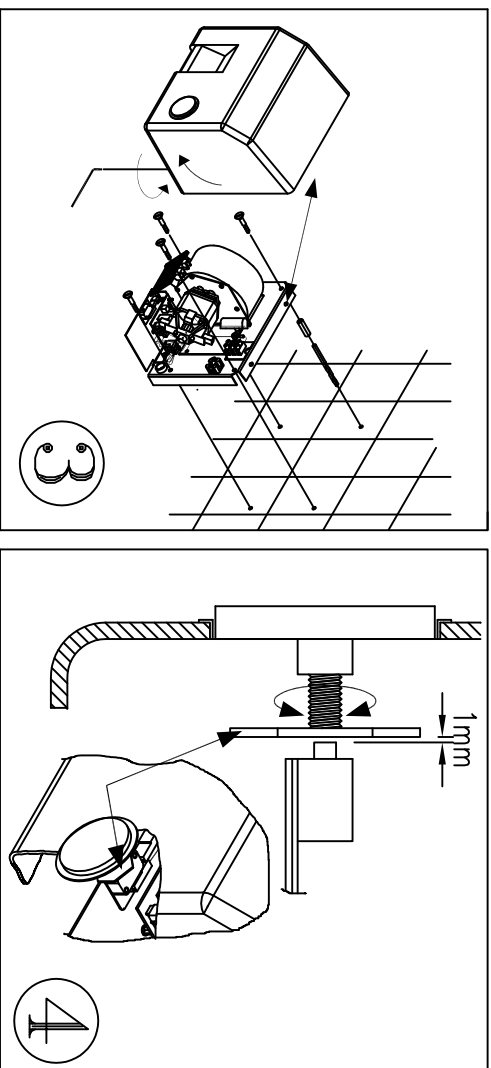
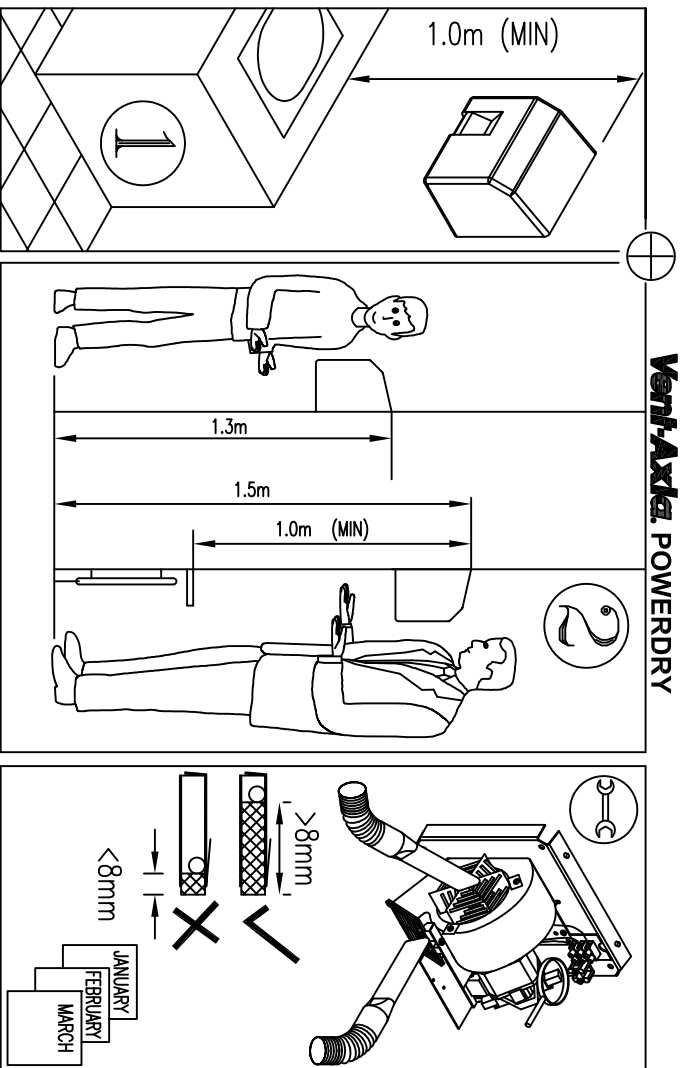


Vent-Axle POWER DRY



Servicing the hand dryer

The minimum service period for the dryer should be every 3 months or more frequent intervals as experience dictates.

Isolate the unit from the electricity supply before servicing, remove dust, fluff and any other build up of foreign matter from the inlet and outlet grilles.

AFTER INSTALLATION OR SERVICING, UNITS MUST BE CHECKED, AND ONLY LEFT WHEN ELECTRICALLY AND MECHANICALLY SAFE.
When ordering replacement modules always quote SERIAL No. MODEL/SERIES, ELECTRICAL SUPPLY VOLTAGE AND FREQUENCY.

Safety and Guidance notes

1. This Appliance can be used by children aged from 8 years and above and persons with reduced physical, sensory or mental capabilities if they have been given supervision or instruction concerning use of the appliance in a safe way and understand the hazards involved.
2. Children should be supervised to ensure they do not play with the hand dryer.
3. All wiring to be in accordance with the current I.E.E. Regulations, or the appropriate standards of your country and **MUST** be installed by a suitably qualified person.
4. The fan should be provided with a local isolator switch capable of disconnecting all poles, having a contact separation of at least 3mm
5. Ensure that the mains supply (voltage, frequency, and phase) complies with the rating label.
6. Care should be taken that single insulated conductors cannot come into contact with the mounting surface.
7. This appliance **MUST** be earthed.

Mounting Instructions

The hand dryer must be fixed to a solid supporting wall.

Recommended fixing heights to top of the unit are as follows:-

- a). 1.5 Metres above the floor for normal use.
- b). 1.3 Metres above the floor where average age of user is below 16 Years.
- c). 1.0 M minimum distance above shelves, sinks or radiators.

To ensure ease of installation and subsequent maintenance, The horizontal distance to any adjacent wall should not be less than 0.2 Metres.

GUARANTEE

Applicable only to products installed and used in the United Kingdom. For details of guarantee outside the United Kingdom contact your local supplier.

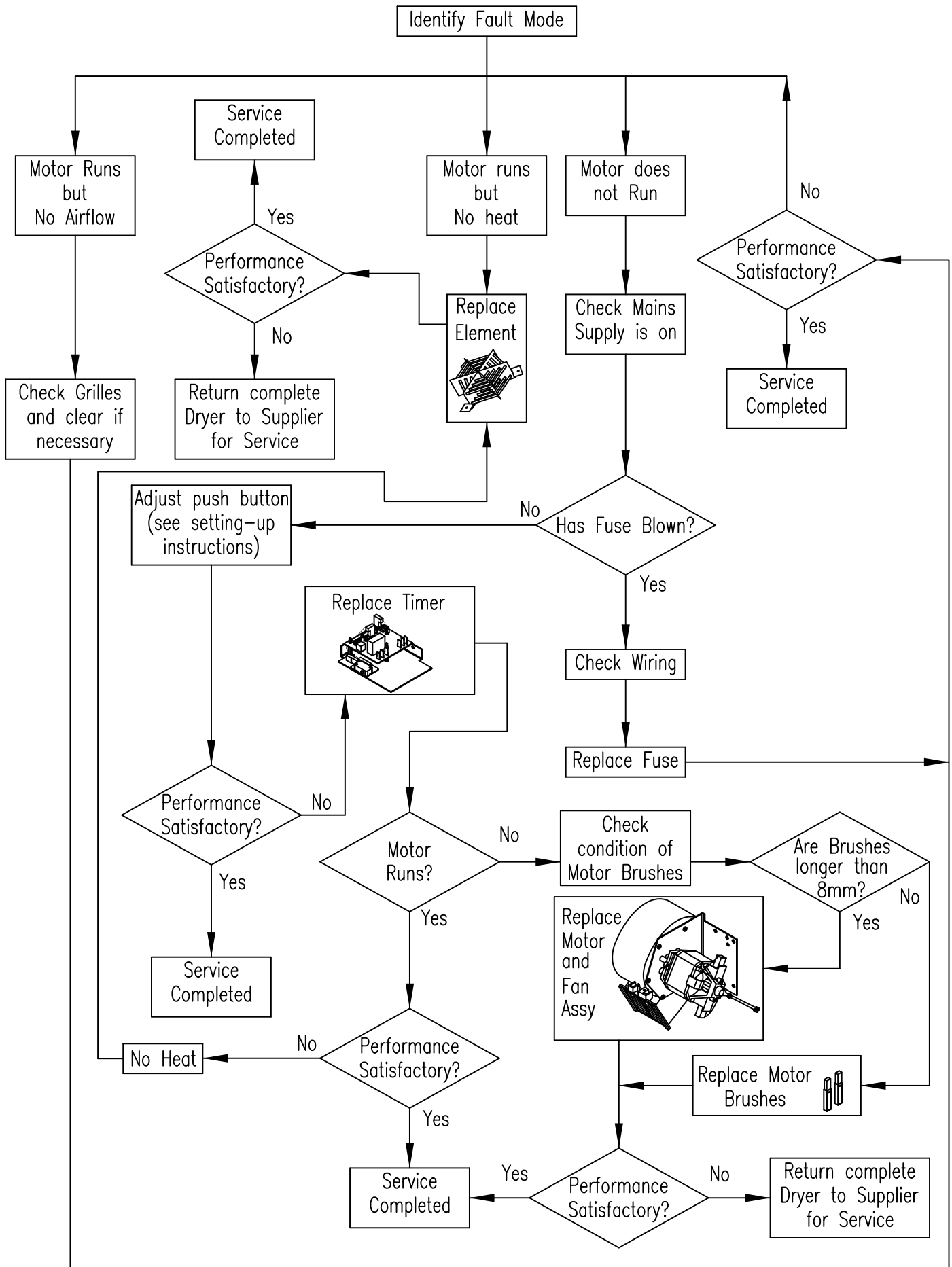
This Hand dryer is guaranteed for two years from date of purchase against material or workmanship. In the event of any part being found to be defective, the product will be repaired, or at the manufacturers option replaced, without charge, provided that the product:-

- Has been installed and used in accordance with the instructions given with each unit.
- Has not been connected to an unsuitable electricity supply. (The correct electricity supply voltage is shown on the product rating label attached to the unit).
- Has not been subjected to misuse, neglect or damage.
- Has not been modified or repaired by any person not authorised by the manufacturer.

The guarantee is offered to you as an extra benefit, and does not effect your legal rights

THIS UNIT MUST ONLY BE FITTED BY SUITABLY QUALIFIED PERSONNEL.

2724-116 G 0515



FAULT DIAGNOSIS CHART