

Unitex Roof Cowl System



Features and Benefits

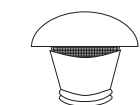
- Complete weather proofing with low pressure drop.
- Supplied complete with bird guard.
- Galvanised steel construction additionally protected by a dark brown epoxy powder coat finish.
- Weather apron in stock 3 lead.
- Suitable for flat or pitched roofs up to 20° as standard.
- Can be supplied in special colours to match building design.

The Unitex Roof Cowl System greatly simplifies the roof termination of mechanical ventilation systems. Consisting of an

attractive epoxy finished cowl with a lead weather slate and a range of direct connection reducing fittings. It is suitable for

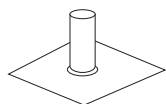
connection to spiral duct, soil pipe and flexible duct from 125 to 250mm diameter.

Product Range



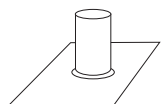
Cowl Assembly

WB160 For ducts from 125 to 160mm
WB200 For ducts from 200 to 250mm



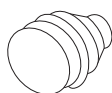
Weather Apron for Flat Roofs

WA160
WA200



Weather Apron for Pitched Roofs (20° MAX)

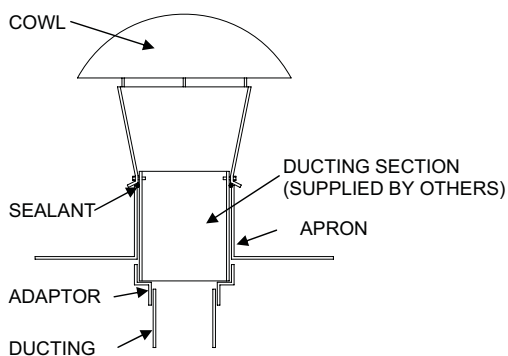
WA160/20
WA200/20



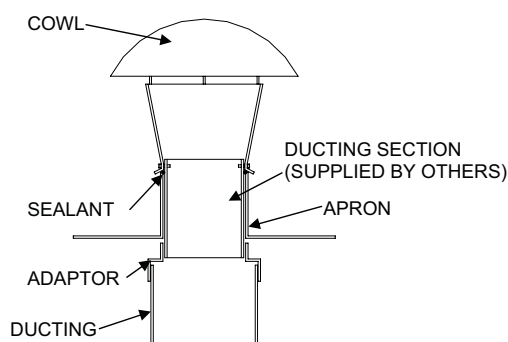
Adaptor

OR16012 (125 to 160mm)
OR25020 (200 to 250mm)

Installation with an Adaptor



WB160 with 125mm connection
Using adaptor OR16012



WB200 with 250mm connection
Using adaptor OR25020

All RED highlighted text **GEN**

All BLUE highlighted text **IND**

Models

Description

100mm (4") Roof System
PVC Roof Cowl
Weather Apron (flat roofs)

Stock Ref

WRC100
WA100

125mm to 160mm Roof System

Roof Cowl - Standard Colour BSO8B29
Special - Coloured Cowls,
Weather Apron (flat roofs)

WB160
Additional cost
WA160

200mm to 250mm Roof System

Roof Cowl - Standard Colour BSO8B29
Weather Apron (flat roofs)

WB200
WA200

Weather Apron for pitched roof

Weather Apron 20° (max) pitch roof
Weather Apron 20° (max) pitch roof

WA160/20
WA200/20

Adaptor

OR16012 (125 to 160mm)
OR25020 (200 to 250mm)

WA160/20
WA160/20