

Slimpak® - (SLP)

In-Line Centrifugal Duct Fans



Features & Benefits

- Ultra slim and compact..
- Acoustically treated "O" class rated.
- 'Eco Flow' computer modelled design.
- Latest external rotor motor.
- Fully speed controllable.
- Matching ancillaries.

Performance Guide

Model	RPM	Phase	Duty m ³ /s @ Pa													Amps		
			0	25	50	100	150	200	250	300	350	400	450	500	550	kW	FLC	SC
SLP100	2450	1	0.075	0.071	0.068	0.059	0.051	0.041	0.029	0.016	-	-	-	-	-	0.058	0.26	1.04
SLP125	2450	1	0.094	0.090	0.086	0.076	0.065	0.053	0.040	0.025	-	-	-	-	-	0.058	0.26	1.04
SLP150	2450	1	0.121	0.116	0.112	0.098	0.085	0.070	0.054	0.038	0.016	-	-	-	-	0.058	0.26	1.04
SLP200	2700	1	0.200	0.193	0.188	0.175	0.156	0.138	0.118	0.098	0.073	-	-	-	-	0.12	0.48	1.92
SLP250	2400	1	0.289	0.280	0.271	0.251	0.227	0.201	0.175	0.146	0.117	0.088	0.053	-	-	0.21	0.90	3.60
SLP315	2550	1	0.380	0.342	0.370	0.350	0.328	0.309	0.290	0.271	0.248	0.220	0.185	0.141	0.079	0.27	1.15	4.60

FLC = Full Load Current SC = Starting Current

Models

All RED highlighted text **GEN**

All BLUE highlighted text

IND

Speed Controller

Electric Heaters

Stock Ref	Electronic		Auto		Starter* Ref	Overload Ref	Stock Ref
	Stock Ref		Transfor.				
SLP100	SP5001		SPM5020		444744	444699	-
SLP125	SP5001		SPM5020		444744	444699	QAH125
SLP150	SP5001		SPM5020		444744	444699	QAH150
SLP200	SP5001		SPM5020		444744	444699	QAH200
SLP250	SP5001		SPM5020		444744	444700	QAH250
SLP315	SP5001		SPM5020		444744	444702	QAH315

In-line Attenuators

Wall Terminal

Model	300mm	600mm	900mm	1200mm	Stock Ref
	Stock Ref	Stock Ref	Stock Ref	Stock Ref	
SLP100	SLSI100/1	SLSI100/2	S LSD100/1	S LSD100/2	SA100/280
SLP125	SLSI125/1	SLSI125/2	S LSD125/1	S LSD125/2	SA125/280
SLP150	SLSI150/1	SLSI150/2	S LSD150/1	S LSD150/2	SA150/280
SLP200	SLSI200/1	SLSI200/2	S LSD200/1	S LSD200/2	SA200/280
SLP250	SLSI250/1	SLSI250/2	S LSD250/1	S LSD250/2	SA250/280
SLP315	SLSI315/1	SLSI315/2	S LSD315/1	S LSD315/2	SA315/280

Roof Terminal

Louvre Shutter

Flexible Connections

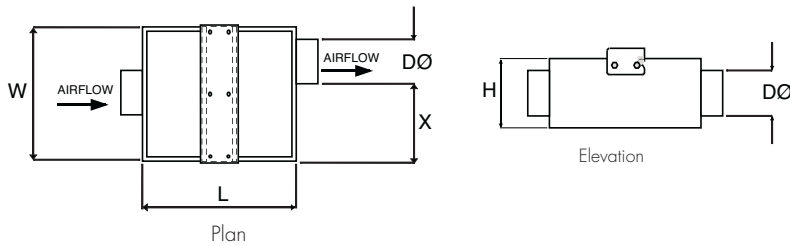
Panel Filters

Spare Panel Filters

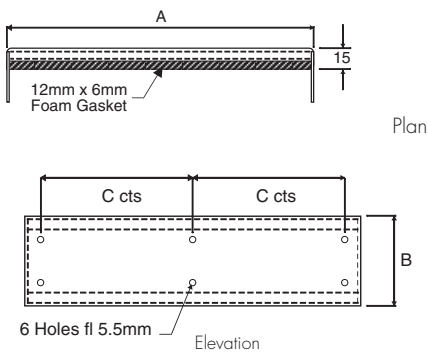
Stock Ref	Stock Ref*	Stock Ref	Stock Ref	Stock Ref
WRC100	LS250	FLX100	SLPF100	FILTERSSLP100
WB160	LS250	FLX125	SLPF125	-
WB160	LS315	FLX150	SLPF150	FILTERSSLP150
WB200	LS315	FLX200	SLPF200	FILTERSSLP200
WB200	LS315	FLX250	SLPF250	FILTERSSLP250
RCZ300	LS400	FLX315	SLPF315	FILTERSSLP315



Dimensions (mm)



Model	L	W	H	DØ	X	Weight kg
SLP100	360	306	160	100	178	8
SLP125	360	306	160	125	165	8
SLP150	360	306	180	150	140	9
SLP200	415	360	285	200	140	13
SLP250	415	360	285	250	90	15
SLP315	450	400	350	315	65	17



Mounting bracket

Model	A	B	C
SLP100	306	80	138
SLP125	306	80	138
SLP150	306	80	138
SLP200	360	130	165
SLP250	360	130	165
SLP315	400	180	184.5

Back Draught Shutters

Stock Ref

BDS100

BDS125

BDS150

BDS200

BDS250

BDS315