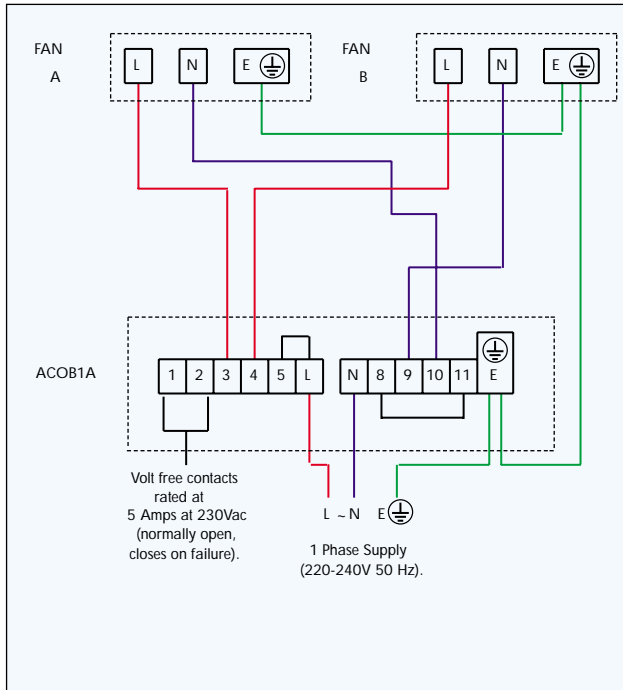


Quiet Pack Twin Fan

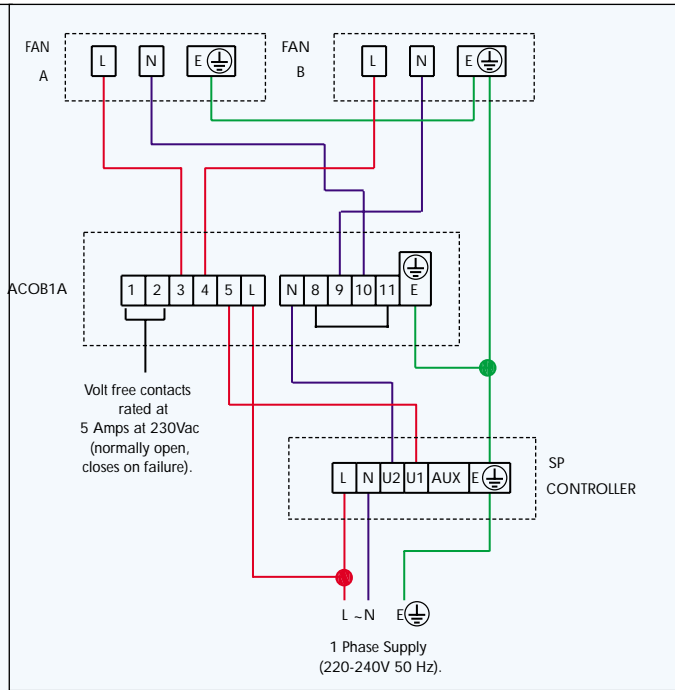
Single Phase In-line Quiet Pack Twin Fans

Wiring Diagrams 230V 1PH 50Hz Supply

SINGLE PHASE QUIET PACK FANS CONTROLLED BY AN ACOB1A CONTROLLER



SINGLE PHASE QUIET PACK FANS CONTROLLED BY A ACOB1A & ELECTRONIC SPEED CONTROLLER



SINGLE PHASE QUIET PACK FANS CONTROLLED BY A ACOB1A & SPM TRANSFORMER CONTROLLER

