

# LuminAir® Fan & Light Ventilation Kit



### Features & Benefits

- Unique fan and light combination.
- IPX7 rated inlet assembly.
- Suitable for shower enclosures and wet areas - can be used within reach of a person using a bath or shower.
- Safety extra low voltage (SELV) fan and lamp.
- Easy installation.
- White, Gold and Chrome bezels available.

### SELV Fan & Light Combination

LuminAir is now additionally available in the form of a ventilation kit. The **IPX7** unit is installed directly over a shower in complete safety.

Vent-Axia LuminAir extracts moisture and humidity at source, preventing damaging condensation from spreading. At the same time it bathes the shower enclosure in a rich soft light - bringing any dark shower to life. Ideal for all types of bathroom and shower applications, and is particularly suitable for bedsit and en-suite shower installations.

Separate lighting transformer also supplied.

### Models

**LuminAir Shower Ventilation Kit**  
LuminAir L, T or H SELV fan and light, choice of bezel, 90° bend, 3m of flex-duct, wall grille and cable ties.

**LuminAir Shower Ventilation Kit L (Switch Live)** **DOM**  
Provides simultaneous fan and light operation from the bathroom light switch.

**Stock Ref**  
**453410** - White

**LuminAir Shower Ventilation Kit T (Timer)** **DOM**  
Switches the fan On with the light. When the light is switched Off, the fan continues to run for an adjustable set period.

**Stock Ref**  
**453413** - White

**LuminAir Shower Ventilation Kit H (Humidistat)** **DOM**  
Combines a light activated by the bathroom light switch and an Ecotronic Humidistat Sensor which will switch the fan On whenever the humidity level warrants.

**Stock Ref**  
**453416** - White

**Optional Bezels** **DOM**  
**Stock Ref**  
**452044** - Chrome  
**452045** - Gold

### Transformer Dimensions (mm)

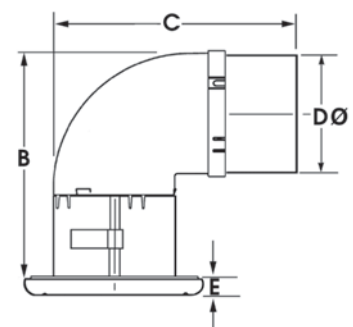
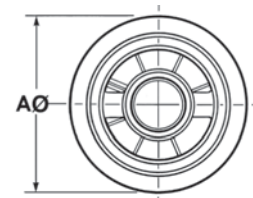
	Length	Height	Depth
Transformer (Fan)	147	86	65
Transformer (Light)	110	35	25
Humidity Sensor	87	87	33

Fixing Hole diameter 110mm

### Dimensions (mm)

AØ	B	C	DØ	E	F
150	180	139	98	10	32

Fixing hole diameter 110mm



### Performance

Model	Extract Performance - FID			Sound dB(A) @ 3m	Amps @ 240V
	m³/h	l/s	Watts		
LuminAir Ventilation Kit L	110	31	40	35	0.2
LuminAir Ventilation Kit T	110	31	40	35	0.2
LuminAir Ventilation Kit H	110	31	40	35	0.2