

EuroSeries® (SDX)

In-Line Centrifugal Duct Fans



Features & Benefits

- Available in sizes 100 to 315.
- 150 to 315 available in standard or high performance.
- Motor Insulation Class B, protected to IP44.
- Operating Temperatures from -15°C up to +40°C.
- HOT SPOT Protection.
- All units suitable for speed control.
- Quality Assurance to BS EN ISO 9001:1994.
- Performance tested to BS848 Part 1 1980.

Performance Guide

| Model | RPM | Phase | m³/s @ Pa | | | | | | | | | | | | Motor Watts | S.C. Amps | F.L.C Amps | dB(A) @ 3m |
|------------------------|------|-------|-----------|-------|-------|-------|-------|-------|-------|-------|-------|-------|-------|-----|-------------|-----------|------------|------------|
| | | | 0 | 50 | 100 | 150 | 200 | 250 | 300 | 350 | 400 | 450 | 500 | | | | | |
| Standard range | | | | | | | | | | | | | | | | | | |
| SDX100B | 2385 | 1 | 0.055 | 0.048 | 0.041 | 0.034 | 0.026 | 0.017 | 0.009 | | | | | | 46 | 0.31 | 0.18 | 42 |
| SDX125B | 2625 | 1 | 0.077 | 0.066 | 0.053 | 0.039 | 0.027 | 0.015 | 0.002 | | | | | 69 | 0.42 | 0.28 | 45 | |
| SDX150B | 2350 | 1 | 0.11 | 0.098 | 0.075 | 0.059 | 0.046 | 0.031 | 0.01 | | | | | 56 | 0.37 | 0.22 | 44 | |
| SDX200B | 2325 | 1 | 0.247 | 0.217 | 0.181 | 0.149 | 0.126 | 0.104 | 0.09 | 0.074 | 0.057 | 0.04 | 0.026 | 162 | 1.1 | 0.68 | 47 | |
| SDX250B | 2575 | 1 | 0.265 | 0.259 | 0.25 | 0.208 | 0.175 | 0.15 | 0.13 | 0.107 | 0.088 | 0.064 | 0.041 | 150 | 1.2 | 0.66 | 52 | |
| SDX315B | 2518 | 1 | 0.333 | 0.306 | 0.278 | 0.244 | 0.204 | 0.17 | 0.139 | 0.11 | 0.08 | 0.056 | 0.033 | 162 | 1.27 | 0.68 | 58 | |
| High Performance Range | | | | | | | | | | | | | | | | | | |
| SDX150HB | 2600 | 1 | 0.129 | 0.115 | 0.099 | 0.082 | 0.064 | 0.044 | 0.018 | | | | | 65 | 0.46 | 0.27 | 47 | |
| SDX200HB | 2575 | 1 | 0.26 | 0.24 | 0.22 | 0.192 | 0.166 | 0.142 | 0.116 | 0.095 | 0.072 | 0.05 | 0.03 | 165 | 1.2 | 0.7 | 54 | |
| SDX250HB | 2520 | 1 | 0.295 | 0.268 | 0.24 | 0.21 | 0.183 | 0.155 | 0.125 | 0.098 | 0.074 | 0.05 | 0.027 | 175 | 1.2 | 0.73 | 52 | |
| SDX315HB | 2574 | 1 | 0.435 | 0.405 | 0.369 | 0.32 | 0.277 | 0.23 | 0.196 | 0.158 | 0.132 | 0.108 | 0.08 | 278 | 1.7 | 1.15 | 60 | |

Models

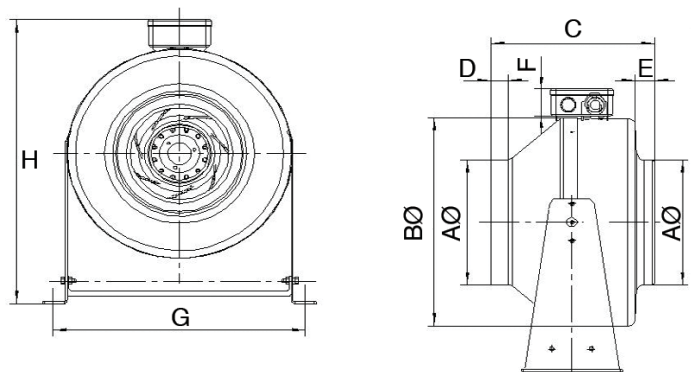
| Standard Unit Stock Ref | High Performance Stock Ref | Speed Controller | | | | Starter Ref | Overload Ref |
|-------------------------------|----------------------------------|-------------------|-----------------------|-----|--|----------------|-----------------|
| | | Electronic 1ph | Auto 1ph Transfor. | GEN | | | |
| | | | | IND | | | |
| SDX100B | - | SP5001 | SPM5020 | | | 444744 | 444698 |
| SDX125B | - | SP5001 | SPM5020 | | | 444744 | 444698 |
| SDX150B | SDX150HB | SP5001 | SPM5020 | | | 444744 | 444698 |
| SDX200B | SDX200HB | SP5001 | SPM5020 | | | 444744 | 444698 |
| SDX250B | SDX250HB | SP5001 | SPM5020 | | | 444744 | 444699 |
| SDX315B | SDX315HB | SP5001 | SPM5020 | | | 444744 | 444700 |

| Model | In-Line Attenuators | | | | Wall Terminal |
|--------|---------------------|--------------------|--------------------|---------------------|-----------------------|
| | Stock Ref 300mm | Stock Ref 600mm | Stock Ref 900mm | Stock Ref 1200mm | Stock Ref* (280mm) |
| SDX100 | 83010030 | 83010060 | 83010090 | - | SA100/280 |
| SDX125 | 83012030 | 83012060 | 83012090 | - | SA125/280 |
| SDX150 | 83015030 | 83015060 | 83015090 | - | SA150/280 |
| SDX200 | - | 83020060 | 83020090 | 83020120 | SA200/280 |
| SDX250 | - | 83025060 | 83025090 | 83025120 | SA250/280 |
| SDX315 | - | 83031060 | 83031090 | 83031120 | SA315/280 |



Dimensions

| Unit size | AØ | BØ | C | D | E | F | G | H | Weight kg |
|-----------|-----|-----|-----|------|------|----|-----|-----|-----------|
| SDX100 | 100 | 237 | 204 | 25 | 25 | 42 | 270 | 294 | 3.5 |
| SDX125 | 125 | 237 | 193 | 25 | 25 | 42 | 270 | 294 | 3.8 |
| SDX150 | 150 | 278 | 195 | 25 | 25 | 42 | 312 | 350 | 3.6 |
| SDX200 | 200 | 333 | 210 | 25 | 25 | 42 | 374 | 402 | 5.1 |
| SDX250 | 250 | 333 | 210 | 28.6 | 28.5 | 42 | 380 | 430 | 4.9 |
| SDX315 | 315 | 402 | 265 | 25 | 30 | 42 | 450 | 485 | 7.8 |



| Electric Heaters | Panel Filters | Bag Filters | Spare Bag Filters |
|------------------|---------------|-------------|-------------------|
| Stock | Stock | Stock | Stock |
| Ref | Ref | Ref | Ref |
| QAH100 | QPF100A | QPFB100A | FILTERQPFB100 |
| QAH125 | QPF125A | QPFB125A | FILTERQPFB125 |
| QAH150 | QPF150A | QPFB150A | - |
| QAH200 | QPF200A | QPFB200A | FILTERQPFB200 |
| QAH250 | QPF250A | QPFB250A | FILTERQPFB250 |
| QAH315 | QPF315A | QPFB315A | FILTERQPFB315 |

| Roof Terminal | Louvre Shutter | Ceiling Connections |
|---------------|----------------|---------------------|
| Stock Ref | Stock Ref* | Stock Ref |
| WRC100 | LS250 | - |
| WB160 | LS250 | PNE125 150sqGrille |
| WB160 | LS315 | PNE160 150sqGrille |
| WB200 | LS315 | PNE250 150sqGrille |
| WB200 | LS315 | PNE315 150sqGrille |
| RCZ300 | LS400 | - |