

EuroSeries® (ESR)

Roof Mounting Axial Fans



Features & Benefits

- Cowl & base moulded from recyclable polymeric material.
- All sizes resistant to UV light.
- Sizes 315 to 1000 dia are protected to IP54.
- Optional backdraught shutters and bird guard (250-630mm)
- All models speed controllable
- Motor Insulation Class F, -40°C to +70°C operating temperature.
- Reversible for supply or extract units.
- Thermal overload for motor protection
- Performance tested to BS848 part 1 1980.

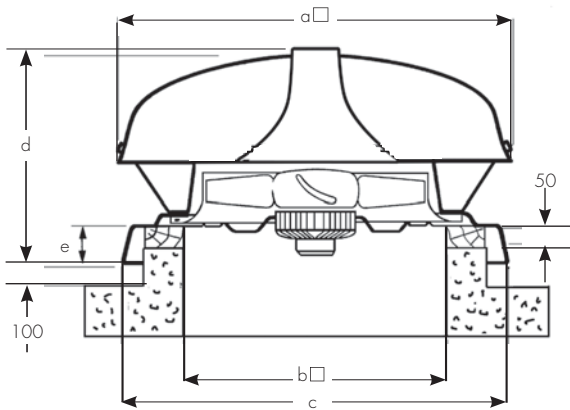
Performance Guide

Dia	Phase	Stock Ref	RPM	IP Rating	m³/s										Motor kW	S.C. Amps	F.L.C. Amps	dBA @ 3m		
					0	25	50	70	100	125	150	200	225	250					300	
2 POLE																				
250	1	ESR25012	2440	IP44	0.28	0.24	0.22	0.19	0.136	0.09							0.14	1.15	0.6	59
250	3	ESR25032	2700	IP44	0.41	0.39	0.37	0.35	0.32	0.27							0.35	2.5	0.63	61
315	1	ESR31512	2690	IP54	0.84	0.8	0.78	0.74	0.7	0.66	0.62	0.5					0.48	6	2.1	64
315	3	ESR31532	2800	IP54	0.88	0.85	0.83	0.8	0.77	0.74	0.71	0.63	0.51				0.48	5	0.9	60
4 POLE																				
250	1	ESR25014	1340	IP44	0.3												0.04	0.3	0.16	44
315	1	ESR31514	1300	IP54	0.38	0.32	0.24	0.16									0.15	1.38	0.7	50
315	3	ESR31534	1390	IP54	0.4	0.34	0.26	0.17									0.11	2.1	0.27	46
355	1	ESR35514	1330	IP54	0.78	0.69	0.58	0.45									0.19	1.45	0.84	53
355	3	ESR35534	1370	IP54	0.82	0.74	0.65	0.53									0.17	1.35	0.37	49
400	1	ESR40014	1350	IP54	1.14	1.02	0.89	0.7									0.29	2.4	1.45	56
400	3	ESR40034	1350	IP54	1.21	1.11	1.01	0.81									0.26	2.1	0.56	51
450	1	ESR45014	1370	IP54	1.45	1.33	1.19	1.07	0.85								0.36	3.6	1.6	61
450	3	ESR45034	1380	IP54	1.54	1.43	1.32	1.17	0.98								0.36	2.6	0.8	56
500	1	ESR50014	1290	IP54	1.43	1.31	1.15	0.98	0.75								0.51	4.3	2.3	55
500	3	ESR50034	1380	IP54	1.61	1.49	1.38	1.23	1.09	0.87							0.55	3.7	1.05	58
560	1	ESR56014	1320	IP54	2.76	2.58	2.41	2.25	2	1.72	1.39						1.4	9.3	6	63
560	3	ESR56034	1220	IP54	3.05	2.91	2.77	2.65	2.44	2.28	2.04						1	7	1.8	70
630	1	ESR63014	1320	IP54	4.38	4.21	4.06	3.91	3.7	3.55	3.31	2.76	2.43	2.01			2.2	28	9.9	70
630	3	ESR63034	1360	IP54	4.49	4.3	4.15	4	3.76	3.52	3.31	2.7					1.9	14	3.2	64
710	3	ESR71034	1290	IP54	6.1	5.96	5.78	5.63	5.45	5.23	5.02	4.51	4.11	3.71			2.9	19	5.3	72
800	3	ESR80034	1270	IP54	8.89	8.6	8.31	8.07	7.68	7.29	6.96	6.23	5.7	5.22	4.01		4.7	29	8.3	78
6 POLE																				
355	1	ESR35516	950	IP54	0.51	0.35											0.09	1.2	0.46	44
355	3	ESR35536	910	IP54	0.44	0.17											0.09	0.5	0.25	45
400	1	ESR40016	940	IP54	0.72	0.55											0.13	1.4	0.6	45
400	3	ESR40036	920	IP54	0.7	0.53											0.11	0.9	0.28	50
450	1	ESR45016	915	IP54	0.89	0.73											0.17	2.7	0.77	50
450	3	ESR45036	890	IP54	0.89	0.74	0.48										0.12	1	0.28	51
500	1	ESR50016	910	IP54	0.79	0.6	0.29										0.25	4.74	1.35	54
500	3	ESR50036	900	IP54	0.85	0.69	0.49										0.23	1.5	0.56	56
560	1	ESR56016	880	IP54	1.8	1.58	1.3	0.99									0.43	4.6	1.95	56
560	3	ESR56036	860	IP54	1.72	1.48	1.16	0.75									0.39	1.75	0.81	56
630	1	ESR63016	880	IP54	2.63	2.35	2.05	1.76									0.6	5.3	2.7	57
630	3	ESR63036	890	IP54	2.66	2.39	2.07	1.78									0.59	3.6	1.3	59
710	1	ESR71016	850	IP54	3.85	3.53	3.19	2.83									0.89	8	4.1	60
710	3	ESR71036	860	IP54	4	3.7	3.4	3.1	2.58								1.1	7.7	2.2	62
800	3	ESR80036	900	IP54	4.81	4.44	4.08	3.72	3.18	2.45							1.4	9.8	2.7	64
1000	3	ESR100036	935	IP54	10.88	10.34	10.04	9.73	9.34	8.92	8.45	7.87	7.26	6.72			5.5	67	10.5	77
8 POLE																				
630	1	ESR63018	650	IP54	1.08	0.58											0.32	6.4	1.45	58
630	3	ESR63038	630	IP54	1.08	0.58											0.31	1.5	0.65	55
710	1	ESR71018	640	IP54	2.69	2.27	1.66										0.52	8.5	2.3	58
710	3	ESR71038	630	IP54	2.69	2.27	1.66										0.43	3.3	1.1	55
800	3	ESR80038	670	IP54	3.32	2.85	2.34										0.69	5	1.75	58
1000	3	ESR100038	670	IP54	6.78	6.34	5.91	5.42	4.66	3.63							2.2	13	4.2	65

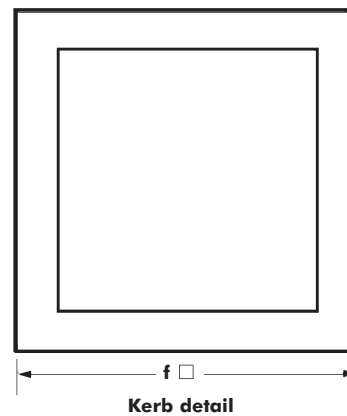
FLC = Full Load Current SC = Starting Current



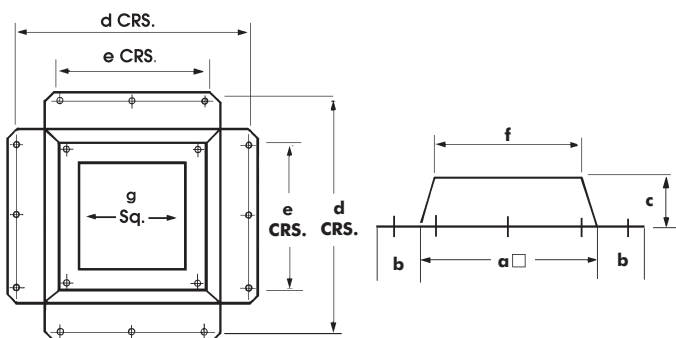
Fan Dimensions (mm)



size	a	b	c	d	e	f	kg Max
250	700	475	737	411	97	675	13.25
315	700	475	737	411	97	675	16.3
355	700	475	737	411	97	675	16.3
400	800	575	830	466	97	775	18.4
450	800	575	830	466	97	775	20.3
500	950	715	1000	579	100	915	35.5
560	950	715	1000	579	100	915	35.5
630	1230	840	1100	731	105	1040	62
710	1230	840	1100	731	105	1040	62
800	1420	870	1190	731	105	1070	78
1000	1680	1070	1455	795	131	1270	134



Purlin Box



size	a	b	c	d	e	f	g
250	625	90	240	765	400	590	460
315	625	90	240	765	400	590	460
355	625	90	240	765	400	590	460
400	725	90	240	865	500	705	565
450	725	90	240	865	500	705	565
500	890	70	250	990	650	850	640
560	890	70	250	990	650	870	700
630	1030	75	250	1140	760	985	775
710	1030	75	250	1140	760	985	840
800	980	37	267	1016	406	980	880
1000	1180	76	279	1294	508	1180	1080

Models & Accessories

Stock Ref	Speed Controllers		Starter* 1 phase	Overload	
	Electronic 1ph Stock Ref	Auto Transfor 1ph Stock Ref		Stock Ref	Stock Ref
Single Phase - 2 Pole			Three Phase - 2 Pole		
ESR25012	SP5001	SPM5020	444744	444699	ESR25032
ESR31512	SP5025	SPM5035	444744	444701	ESR31532
Single Phase - 4 Pole			Three Phase - 4 Pole		
ESR25014	SP5001	SPM5020	444744	444696	
ESR31514	SP5001	SPM5020	444744	444699	ESR31534
ESR35514	SP5001	SPM5020	444744	444699	ESR35534
ESR40014	SP5025	SPM5020	444744	444701	ESR40034
ESR45014	SP5025	SPM5020	444744	444701	ESR45034
ESR50014	SP5025	SPM5035	444744	444702	ESR50034
ESR56014	SP5010	SPM5075	444744	444704	ESR56034
ESR63014	-	SPM5140A	444744	444706	ESR63034
					ESR71034
					ESR80034
Single Phase - 6 Pole			Three Phase - 6 Pole		
ESR35516	SP5001	SPM5020	444744	444698	ESR35536
ESR40016	SP5001	SPM5020	444744	444699	ESR40036
ESR45016	SP5001	SPM5020	444744	444699	ESR45036
ESR50016	SP5025	SPM5020	444744	444700	ESR50036
ESR56016	SP5025	SPM5035	444744	444701	ESR56036
ESR63016	SP5050	SPM5035	444744	444702	ESR63036
ESR71016	SP5050	SPM5060	444744	444703	ESR71036
					ESR80036
					ESR100036
Single Phase - 8 Pole			Three Phase - 8 Pole		
ESR63018	SP5025	SPM5035	444744	444701	ESR63038
ESR71018	SP5025	SPM5035	444744	444702	ESR71038
					ESR80038
					ESR100038

Note: - The Standard roof cowl colour is BS 00A 05 (Goose Wing Grey), For all special B.S. or RAL colours (contact Vent-Axia)
 - When speed control is required a 5 step auto transformer speed controller is recommended, to ensure low noise levels.
 - All 3 phase models are suitable for frequency inverter speed control.

All red highlighted text **GEN** All blue highlighted text **IND**

Speed Controllers	Starter* 3 phase		Shutters	Birdguard	Adaptor Units (Purlin Box)	Purlin Trimmers
Auto Transfor 3ph	Starter*	Overload				
Stock Ref	Stock Ref	Stock Ref	Stock Ref	Stock Ref	Stock Ref	Stock Ref
RDTK10	444747	444699	RSZ300	BGZ300	PBZ300	PT
RDTK10	444747	444700	RSZ300	BGZ300	PBZ300	PT
			RSZ300	BGZ300	PBZ300	PT
RDTK10	444747	444697	RSZ300	BGZ300	PBZ300	PT
RDTK10	444747	444698	RSZ300	BGZ300	PBZ300	PT
RDTK10	444747	444699	RSZ400	BGZ400	PBZ400	PT
RDTK10	444747	444699	RSZ400	BGZ400	PBZ400	PT
RDTK20	444747	444700	RSZ500	BGZ500	PBZ500	PT
RDTK40	444747	444701	RSZ500	BGZ500	PBZ560	PT
RDTK40	444747	444702	RSZ630	BGZ630	PBZ630	PT
RDTK70	444747	444703	RSZ630	BGZ630	PBZ710	PT
RD14	444747	444705	-	INCL	PBZ800	PT
RDTK10	444747	444697	RSZ300	BGZ300	PBZ300	PT
RDTK10	444747	444697	RSZ400	BGZ400	PBZ400	PT
RDTK10	444747	444697	RSZ400	BGZ400	PBZ400	PT
RDTK10	444747	444699	RSZ500	BGZ500	PBZ500	PT
RDTK10	444747	444699	RSZ500	BGZ500	PBZ560	PT
RDTK20	444747	444700	RSZ630	BGZ630	PBZ630	PT
RDTK40	444747	444702	RSZ630	BGZ630	PBZ710	PT
RDTK40	444747	444702	-	INCL	PBZ800	PT
RD14	444748	444706	-	INCL	PBZ1000	PT
RDTK10	444747	444699	RSZ630	BGZ630	PBZ630	PT
RDTK20	444747	444700	RSZ630	BGZ630	PBZ710	PT
RDTK20	444747	444701	-	INCL	PBZ800	PT
RDTK70	444747	444703	-	INCL	PBZ1000	PT

Model	Roof Cowl Assembly		Drop in Curb Attenuator		
	ONLY (No Fan)		(600mm)	(900mm)	(1200mm)
	Stock Ref		Stock Ref	Stock Ref	Stock Ref
ESR250	-		RAZ300600	RAZ300900	-
ESR315 & 355	RCZ300		RAZ300600	RAZ300900	RAZ3001200
ESR400 & 450	RCZ400		RAZ400600	RAZ400900	RAZ4001200
ESR500 & 560	RCZ500		RAZ500600	RAZ500900	RAZ5001200
ESR630	RCZ630		RAZ600600	RAZ600900	RAZ6001200
ESR710	RCZ630		RAZ600600	RAZ600900	RAZ6001200
ESR800	RCZ800		-	-	-
ESR1000	RCZ1000		-	-	-