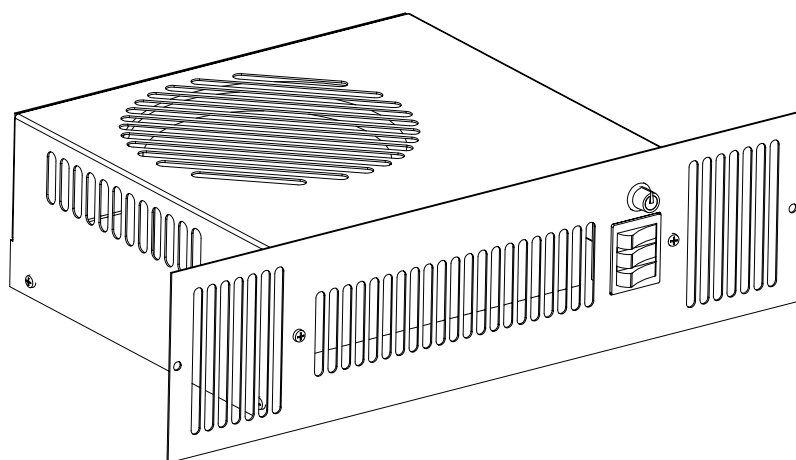


# **Vent-Axia®**

## **PLINTH HEATER (VAPL2 - VAPL2 TC)**

Installation and Wiring Instructions



Stock Ref. N°

459112      459115

459113      459116

459114      459117

**220-240V/1/50Hz**



*READ INSTRUCTIONS IN CONJUNCTION WITH ILLUSTRATIONS  
READ AND SAVE THESE INSTRUCTIONS*

# Installation and Wiring Instructions for PLINTH HEATER range.



## IMPORTANT: READ THESE INSTRUCTIONS BEFORE COMMENCING THE INSTALLATION

DO NOT install this product in areas where the following may be present or occur:

- Excessive oil or a grease laden atmosphere.
- Corrosive or flammable gases, liquids or vapours.
- Ambient temperatures higher than 40°C or less than -5°C.
- Possible obstructions which would hinder the access or removal of the heater.

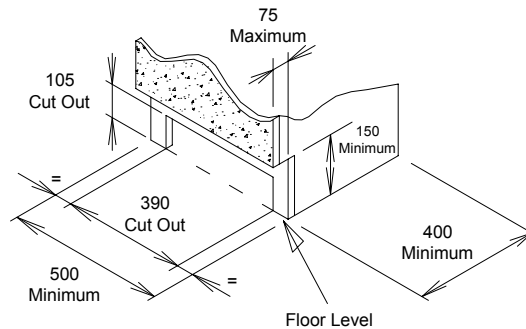
## SAFETY AND GUIDANCE NOTES

- All wiring must be in accordance with the current I.E.E. Regulations including Earth Bonding and Protection, or the appropriate standards of your country.
- The Plinth Heater should be provided with a local double pole isolator switch having a contact separation of at least 3mm.
- Ensure that the mains supply (Voltage, Frequency and Phase) complies with the rating label.
- The Heater should not be sited within 600mm horizontally of/or 2250mm vertically of a bath/shower tray, in accordance with the current I.E.E. Regulations for bathrooms.
- The Heater should not be used where it is liable to be subject to direct water spray from hoses etc.
- Ensure that the Heater is not installed in a position where the user may obstruct the airflow from the Heater for a prolonged period of time.
- Ensure the Heater is not positioned below a fixed socket outlet.

## INSTALLATION

The Heater is designed to be installed behind the Plinth Board of a typical kitchen base cupboard, within the free plinth space under the base shelf.

The diagram below shows the Plinth 'Cut Out' dimensions and the kitchen cupboard clearance requirements.



## WIRING



### WARNING:

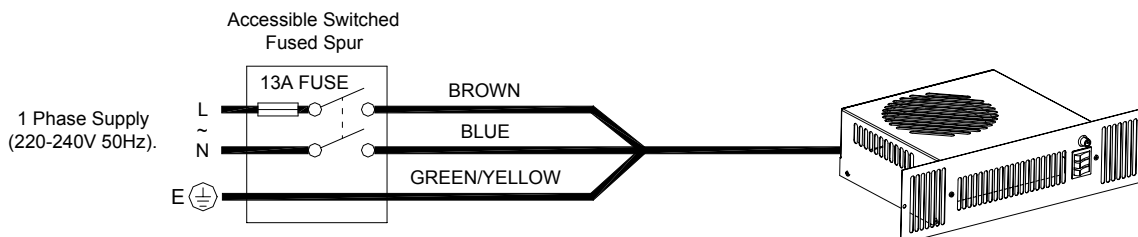
THE PLINTH HEATER MUST BE INSTALLED BY AN ELECTRICALLY QUALIFIED / COMPETENT PERSON.

THE HEATER MUST BE ISOLATED FROM THE POWER SUPPLY DURING THE INSTALLATION / MAINTENANCE.

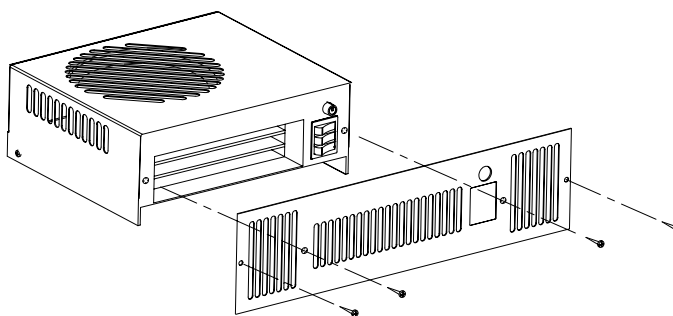
THE APPLIANCE MUST BE EARTHED.

1. Connect the Plinth Heater in accordance with the wiring diagram shown below.

**NOTE:** Ensure the cable length is long enough to allow for the installation and the removal of the Heater from the Plinth Board.  
Ensure there are no sharp edges along the cable route, which may damage the cable.



2. Check that all connections have been made correctly and the terminal screws / cable clamps are fastened.
3. Attach the fascia grille to the heater casing using the N°6 self-tapping screws provided (see below).

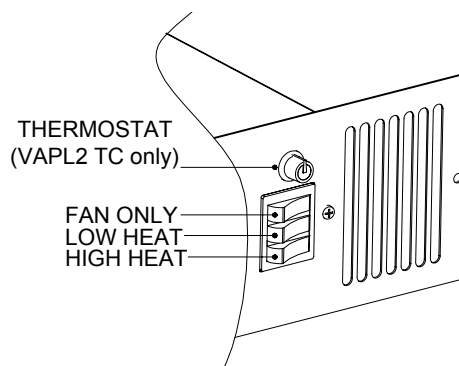


4. Slide the Heater through the 'Cut Out' in the Plinth Board and fix into position using the N°8 x 25mm Pozi-Drive wood screws provided.
5. Switch the mains supply on and check the heater is operating correctly.

## CONTROLS. (VAPL2 & VAPL2 TC)

Using the switches on the Heater, select the temperature required:

- **Fan Only** Switch on the 'Fan Only' switch
- **Low Heat** Switch on the 'Fan Only' together with the 'Low Heat' Switch.
- **High Heat** Switch on the 'Fan Only' together with the 'Low Heat' & 'High Heat' Switch.



## Thermostat. (VAPL2 TC only)

1. To set the thermostat to the temperature required, turn the thermostat control knob fully clockwise.
2. When the desired room temperature is reached, slowly turn the thermostat control knob anti-clockwise, until the heater turns off. The thermostat is now set to the required temperature setting.

## SAFETY FEATURE

- ◆ The Heater has a built-in thermal cut-out switch. Should the switch trip-out, the heater must be switched off at the switched spur for approximately 10 minutes, to allow the heater to cool down.
- ◆ After approximately 10 minutes, switch the heater on, if the cut-out switch trips out, switch the heater off and contact AN ELECTRICALLY QUALIFIED / COMPETENT PERSON to carry out an inspection of the heater.

## ROUTINE INSPECTION AND MAINTENANCE

**ISOLATE THE UNIT FROM THE POWER SUPPLY AND ENSURE THAT IT CANNOT BE ACCIDENTALLY SWITCHED BACK ON**

At intervals appropriate to the installation, the Heater should be inspected and cleaned to ensure there is no build up of dirt or other deposits on the impeller or the motor.

# VENT-AXIA SALES CENTRES

## ENGLAND & WALES NATIONAL CALL CENTRE

Newton Road, Crawley  
West Sussex  
RH10 9JA

Telephone: 01293 530202  
Fax: 01293 565169

## NORTHERN IRELAND

Telephone: 02890 402220  
Fax: 01293 565169

## SCOTLAND

Telephone: 0141 429 1166  
Fax: 01293 565169

## REPUBLIC OF IRELAND

Vent-Axia Ventilation Ltd.  
921 Western Industrial Estate  
Naas Road, Dublin 12.

Telephone: (01) 450 4133  
Fax: (01) 450 4570

Did you find these instructions easy to use?

We value your comments, contact us via:

email: [info@vent-axia.com](mailto:info@vent-axia.com)

## The Vent-Axia Guarantee

Applicable only to products installed and used in the United Kingdom. For details of the guarantee outside the United Kingdom contact your local supplier.

Vent-Axia guarantees its products for two years from the date of purchase against faulty material or workmanship. In the event of any part being found to be defective, the product will be repaired, or at the Company's opinion replaced, without charge, provided that the product:

- 1) has been installed and used in accordance with the instructions given with each unit.
- 2) has not been connected to an unsuitable electricity supply (The correct electricity supply voltage is shown on the product rating label attached to the unit).
- 3) has not been subjected to misuse, neglect or damage.
- 4) has not been modified or repaired by any person not authorised by the Company.

### IF CLAIMING UNDER THE TERMS OF THE GUARANTEE

please return the complete product, carriage paid to your original supplier, by post or in person.

Please ensure that it is adequately packed and accompanied by a letter clearly marked

'Guarantee Claim' stating the nature of the fault and providing proof of date and source of purchase.

As part of the policy of continuous product improvement Vent-Axia reserve the right to alter specifications without notice.

# Vent-Axia®

Head Office: Fleming Way, Crawley, West Sussex RH10 9YX

Tel: 01293 526062 Fax: 01293 551188

Internet site at: [www.vent-axia.com](http://www.vent-axia.com)