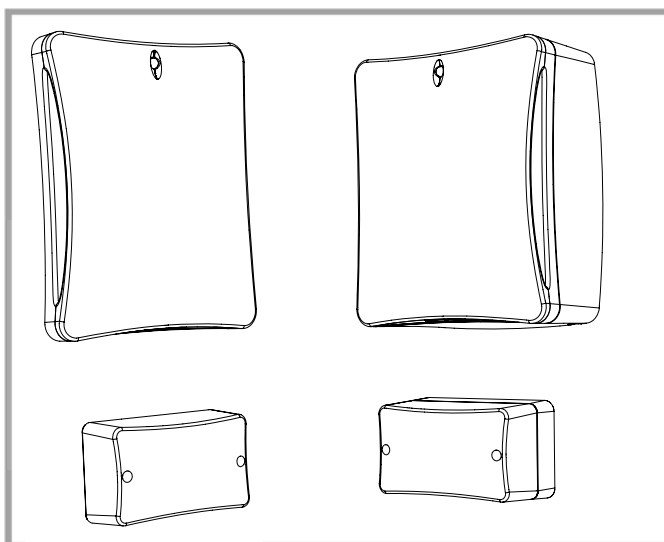


Lo-Carbon SOLO Plus SELV

Centrifugal Bathroom/Toilet Fan

Installation and Wiring Instructions



Stock Ref. N°

427485A (SELV P)
427486A (SELV T)
427487A (SELV HT)
427488A (SELV TM)

220-240V~50Hz

Vent-Axia[®]

PLEASE READ INSTRUCTIONS IN CONJUNCTION WITH THE ILLUSTRATIONS.
PLEASE SAVE THESE INSTRUCTIONS



SOLO PLUS RANGE

Technical Specifications

Type	Stock Ref. No.	White Grille	Brown Grille	Extract Performance m3/h (l/s)			Power (W)			Sound dB(A) @ 3m	
		Wall Kit	Wall Kit	High	Low	Trickle	High	Low	Trickle	High Speed	Trickle
Solo Plus E	434819A	24 41 02	24 41 00	84 (23)	63 (18)	40 (11)	23.2	15.4	10.5	40.3	20.3
Solo Plus P	427477A	25 41 02	25 41 00	84 (23)	63 (18)	40 (11)	23.2	15.4	10.5	40.3	20.3
Solo Plus T	427478A	25 41 02	25 41 00	84 (23)	63 (18)	40 (11)	23.2	15.4	10.5	40.3	20.3
Solo Plus HT	427479A	25 41 02	25 41 00	84 (23)	63 (18)	40 (11)	23.2	15.4	10.5	40.3	20.3
Solo Plus HTE	434884A	24 41 02	24 41 00	84 (23)	63 (18)	40 (11)	23.2	15.4	10.5	40.3	20.3
Solo Plus TM	427480A	25 41 02	25 41 00	84 (23)	63 (18)	40 (11)	23.2	15.4	10.5	40.3	20.3
Solo Plus SELV E	435203A	24 41 02	24 41 00	90 (25)	69 (19)	43 (12)	17	10.6	6	42.8	23.7
Solo Plus SELV P	427485A	25 41 02	25 41 00	90 (25)	69 (19)	43 (12)	17	10.6	6	42.8	23.7
Solo Plus SELV T	427486A	25 41 02	25 41 00	90 (25)	69 (19)	43 (12)	17	10.6	6	42.8	23.7
Solo Plus SELV HT	427487A	25 41 02	25 41 00	90 (25)	69 (19)	43 (12)	17	10.6	6	42.8	23.7
Solo Plus SELV HTE	435204A	26 41 02	26 41 00	90 (25)	69 (19)	43 (12)	17	10.6	6	42.8	23.7
Solo Plus SELV TM	427488A	25 41 02	25 41 00	90 (25)	69 (19)	43 (12)	17	10.6	6	42.8	23.7
Solo Plus Lo-Carbon E	435201A	24 41 02	24 41 00	90 (25)	69 (19)	43 (12)	15	8.6	4	42.8	23.7
Solo Plus Lo-Carbon P	427481A	25 41 02	25 41 00	90 (25)	69 (19)	43 (12)	15	8.6	4	42.8	23.7
Solo Plus Lo-Carbon T	427482A	25 41 02	25 41 00	90 (25)	69 (19)	43 (12)	15	8.6	4	42.8	23.7
Solo Plus Lo-Carbon HT	427483A	25 41 02	25 41 00	90 (25)	69 (19)	43 (12)	15	8.6	4	42.8	23.7
Solo Plus Lo-Carbon HTE	435202A	26 41 02	26 41 00	90 (25)	69 (19)	43 (12)	15	8.6	4	42.8	23.7
Solo Plus Lo-Carbon TM	427484A	25 41 02	25 41 00	90 (25)	69 (19)	43 (12)	15	8.6	4	42.8	23.7

Tested at 240VAC @ 50Hz

Features	Solo Plus				Solo Plus Lo-Carbon				Solo Plus SELV			
	P/E	T	HT/HTE	TM	P/E	T	HT/HTE	TM	P/E	T	HT/HTE	TM
Flush or surface mountable	●	●	●	●	●	●	●	●	●	●	●	●
Adjustable rear or side exit spigot	●	●	●	●	●	●	●	●	●	●	●	●
Washable filter	●	●	●	●	●	●	●	●	●	●	●	●
Shutter	●	●	●	●	●	●	●	●	●	●	●	●
Pullcord (not available on E and HTE models)	●		●		●		●		●		●	
Boost from constant trickle option (2 speed).		● ¹	● ²	● ³	● ⁴	● ¹	● ²	● ³	● ⁴	● ¹	● ²	● ³
LS Connection (to boost from a remote switch from the off or trickle state).		●	●			●	●			●	●	
Two boost speed options available (selectable during installation).		●	●	●								
Variable boost (adjusted/fixed during installation).					●	●	●	●	●	●	●	●
Adjustable timer overrun		●	●			●	●			●	●	
Delay on timer		●	●			●	●			●	●	
Adjustable humidity sensor			●				●				●	
PIR movement sensor				●				●				●
Inbuilt LoWatt controller					●	●	●	●				
SELV controller									●	●	●	●

¹ Boost from off/constant trickle via LS only.

² Boost from off/constant trickle via LS, pullcord (HT only) and internal humidity sensor.

³ Boost from off/constant trickle via PIR only.

⁴ Boost from off/constant trickle via pullcord only.

Installation and Wiring Instructions for the SOLO Plus SELV Bathroom Extract Fan.



**IMPORTANT:
READ THESE INSTRUCTIONS
BEFORE COMMENCING THE
INSTALLATION**

DO NOT install this product in areas where the following may be present or occur:

- Excessive oil or a grease laden atmosphere.
- Corrosive or flammable gases, liquids or vapours.
- Ambient temperatures higher than 40°C or less than -5°C.
- Possible obstructions which would hinder the access or removal of the Fan.

SAFETY AND GUIDANCE NOTES

- A.** All wiring to be in accordance with the current I.E.E. Regulations, or the appropriate standards of your country and **MUST** be installed by a suitably qualified person.
- B.** The electrical supply to this fan is 24v DC SELV from the transformer/controller. This means the fan may be installed within reach of a person using a fixed bath or shower, i.e. in a nearby wall. However, the fan must not be placed where it could be submerged in water or regularly exposed to direct water spray, e.g. from a shower head whether permanently fixed or movable.
- C.** ONLY CONNECT TOGETHER THE PRODUCTS FROM THE SOLO PLUS SELV RANGE SINCE THE FANS ARE SPECIALLY DESIGNED TO WORK ON 24v DC AND ARE NOT COMPATIBLE WITH OTHER VENT-AXIA CONTROLLERS. DO NOT CONNECT MORE THAN ONE FAN TO THE CONTROLLER.
- D.** The controller must not be installed in a shower cubicle or enclosure. It must be away from direct sources of water spray and out of reach of a person using a fixed bath or shower. Site away from direct sources of heat.
- E.** The controller needs free air circulation and must not be covered with any insulating material such as might be in a ceiling or roof void.
- F.** The Fan should be provided with a local isolator switch capable of disconnecting all poles, having a contact separation of at least 3mm.
- G.** Ensure that the mains supply (Voltage, Frequency, and Phase) complies with the rating label.
- H.** The Fan should only be used in conjunction with the appropriate Vent-Axia products.
- I.** It is recommended that the connection to the fan connector terminals is made with flexible cable.
- J.** When the Fan is used to remove air from a room containing a fuel-burning appliance, ensure that the air replacement is adequate for both the fan and the fuel-burning appliance.
- K.** Where ducted Fans are used to handle moisture-laden air, a condensation trap should be fitted. Horizontal ducts should be arranged to slope slightly downwards away from the Fan.
- L.** This appliance is not intended for use by young children or infirm persons without supervision.
- M.** Young children should be supervised to ensure that they do not play with the appliance.

DESCRIPTION

As standard, the SOLO Plus is suitable for panel/wall installations, flush or surface mounting, either in a horizontal or vertical plane. 100mm ducting (flexible or rigid) can be attached using the supplied adjustable spigot, providing rear or side exit options. Adaptors for System 25 and System 50 ducting can be used in conjunction with the adjustable spigot. For wall installations a Wall Kit (25 41 02 White / 25 41 00 Brown) can be used. Please see our catalogue or web site (www.vent-axia.com) for more information on System 25/50 and for alternative ducting and termination options.

A. INSTALLATION

SELV CONTROLLER

The controller can be installed surface or recess mounted using the supplied surface mounting box or a standard mounting box. Please note that the fixing screws may have to be replaced with screws suitable for the type of mounting box used.

PANEL MOUNTING (Surface)

1. Cut a 105mmØ hole through the panel, ensuring that there is sufficient space for the product to be installed and that the filter can be removed for maintenance.
2. Removing the Front Assembly [A]. Firstly remove the Filter [B] (*fig. 2.*) by squeezing the clips and pulling. Insert a small bladed screwdriver into the slots as shown in figure 3 and push gently to release. Lift the front assembly slowly from the bottom edge ensuring not to damage the sensor cable (TM model only) attached to the front assembly and Base Housing [C] (*fig. 3/4/11.*). **IMPORTANT: The cable for the PIR sensor (TM model only) is not connected as supplied but can be removed by carefully unclipping the cable header from the Front Assembly [A].**

3. Remove the Spigot Ring [G] from inside the carton and clip over the Spigot Adaptor [E] making sure the lip on the Spigot Ring locates firmly inside the groove on the Spigot Adaptor (fig. 6.). Ensure that the Spigot Adaptor is firmly located onto the Base Housing and the shutter is still securely fastened and fully functional.
4. Set-up the appropriate speed selection and other features as outlined in **Section B SETUP**.
5. Attach the ducting to the Spigot and locate into the hole in the panel ensuring the Skirt [H] is located correctly into the Base Housing. Secure into position using appropriate fixtures (fig. 7.).
6. Ensure the Impeller rotates freely.
7. Select and follow the appropriate wiring diagram in **Section C WIRING**.
8. Replace the Front Assembly ensuring that the PIR sensor cable (TM model only) is reconnected to the PIR sensor PCB (fig. 11.).
9. Switch the mains power supply on and check the fan is operating correctly.
IMPORTANT: Please note that the T and HT(E) incorporate a switch on delay, which will start the fan after 2 minutes for the set timeout period. The delay is only activated via the LS and not via the pull-cord or humidity sensor (if applicable). If the LS is switched off during the 2 minute period, the fan will remain off.

PANEL MOUNTING (Flush)

1. Mark and cut a rectangular hole (190mm x 240mm) through the panel using the back page as a template, ensuring that there is sufficient space for the product to be installed and that the filter can be removed for maintenance. **IMPORTANT:** Be careful to avoid joists and hidden cables.
2. Removing the Front Assembly [A]. Firstly remove the Filter [B] (fig. 2.) by squeezing the clips and pulling. Insert a small-bladed screwdriver into the slots as shown in figure 3 and push gently to release. Lift the front assembly slowly from the bottom edge ensuring not to damage the sensor cable (TM model only) attached to the front assembly and Base Housing [C] (fig. 3/4/11.). **IMPORTANT: The cable for the PIR sensor (TM model only) is not connected as supplied but can be removed by carefully unclipping the cable header from the Front Assembly.**
3. Remove the Spigot Ring [G] from inside the carton and clip over the Spigot Adaptor [E], making sure the lip on the Spigot Ring locates firmly inside the groove on the Spigot Adaptor (Fig. 6.). The Spigot can be repositioned for side exit installations by removing the screw and sliding the spigot away from the rear of the Base Housing, carefully observing the guide rails (fig. 8.). The Spigot can then be rotated and repositioned for side exit using the same guide rails and retaining screw (fig. 9.). Ensure that the Spigot Adaptor is firmly located onto the Base Housing in the required orientation and the shutter is still securely fastened and fully functional.
4. Remove the Skirt and pass the supplied screw fully through the flange of the base housing. Then attach the supplied Panel Clips [F] (fig. 10.) allowing enough space between the clip and the flange for the thickness of the panel (so that the clips can spring open behind the panel).
5. Set-up the appropriate speed selection and other features as outlined in **Section B SETUP**.
6. Attach the ducting to the Spigot and locate into the hole in the panel, ensuring the cable is fed into the Base Housing and the Panel Clips spring out behind the panel.
7. Secure into position by carefully tightening the Panel Clips. It maybe necessary to hold the product centrally in the hole while tightening so that no gaps are seen once the cover is on. **IMPORTANT: If power tools are used, set them to the minimum torque setting or preferably use a manual screwdriver. Do not over tighten.**
8. Ensure the Impeller rotates freely.
9. Select and follow the appropriate wiring diagram in **Section C WIRING**.
10. Replace the Front Assembly, ensuring that the PIR sensor cable (TM model only) is reconnected to the PIR sensor PCB (fig. 11.).
11. Switch the mains power supply on and check the fan is operating correctly.
IMPORTANT: Please note that the T and HT(E) incorporate a switch on delay, which will start the fan after 2 minutes for the set timeout period. The delay is only activated via the LS and not via the pull-cord or humidity sensor (if applicable). If the LS is switched off during the 2 minute period, the fan will remain off.

WALL MOUNTING (Surface) For wall installations a Wall Kit (25 41 02 White / 25 41 00 Brown) can be used.

1. Cut a 115mm. Ø hole through the wall, ensuring that there is sufficient space for the product to be installed and that the filter can be removed for maintenance.
2. Insert the wall sleeve with the larger diameter sleeve on the room-side and cement both ends into position flush with the wall faces. The wall sleeve should be angled downwards, away from the fan, to allow any condensation to drain to the outside wall.
3. Outside Grille: Using the Back Plate as a template, mark the fixing hole centres on the wall. Drill and plug the wall and fix the Back Plate into position.
4. Fix the Outside Grille on to the Back Plate (screws provided). Ensure the louvres are pointing downwards.
5. Removing the Front Assembly [A]. Firstly remove the Filter [B] (fig. 2.) by squeezing the clips and pulling. Insert a small-bladed screwdriver into the slots as shown in figure 3, and push gently to release. Lift the front assembly slowly from the bottom edge ensuring not to damage the sensor cable (TM model only) attached to the front assembly and Base Housing [C] (fig. 3/4/11.). **IMPORTANT: The cable for the PIR sensor (TM model only) is not connected as supplied but can be removed by carefully unclipping the cable header from the Front Assembly.**

6. Remove the Spigot Ring [G] from inside the carton and clip over the Spigot Adaptor [E] making sure the lip on the Spigot Ring locates firmly inside the groove on the Spigot Adaptor (*Fig. 6.*). Ensure that the Spigot Adaptor is firmly located onto the Base Housing and the shutter is still securely fastened and fully functional.
7. Set-up the appropriate speed selection and other features as outlined in **Section B SETUP.**
8. Using the back page or the Base Housing [C] as a template, mark the fixing hole centres on the wall, carefully sliding the spigot into the Wall Liner. Secure the Base Housing into position using the screws and fixings provided ensuring the Skirt [H] is located correctly into the Base Housing (*fig. 7.*).
9. Ensure the Impeller rotates freely.
10. Select and follow the appropriate wiring diagram in **Section C WIRING.**
11. Replace the Front Assembly ensuring that the PIR sensor cable (TM model only) is reconnected to the PIR sensor PCB (*fig. 11.*).
12. Switch the mains power supply on and check the fan is operating correctly.
IMPORTANT: Please note that the T and HT(E) incorporate a switch on delay, which will start the fan after 2 minutes for the set timeout period. The delay is only activated via the LS and not via the pull-cord or humidity sensor (if applicable). If the LS is switched off during the 2 minute period, the fan will remain off.

B. SETUP



WARNING: THE FAN AND ANCILLARY CONTROL EQUIPMENT MUST BE ISOLATED FROM THE POWER SUPPLY DURING THE INSTALLATION / OR MAINTENANCE.

1. SELECTING THE CONSTANT TRICKLE OPTION

Link the Trickle Jumper [TR] (*fig. 12.*) using the supplied Jumper Header to select Constant Trickle. The Trickle speed option is factory set in the off position (jumper open).

2. SELECTING THE SPEED

This will determine the speed at which the fan will run when activated by either the Pull-cord/LS line/Humidity/PIR.

The speed is factory set at 68m³/h.

1. Turn the Speed Adjuster [S] CLOCKWISE to INCREASE speed up to a maximum of 90m³/h (*fig. 13.*).
1. Turn the Speed Adjuster [S] ANTI-CLOCKWISE to decrease speed down to a minimum of 68m³/h (*fig. 13.*).

3. TIMER ADJUSTMENT (T, HT, HTE, TM models)

The overrun time period is factory set to 15 minutes. The overrun time period may be adjusted from 5-30 minutes by altering the adjuster on the control PCB [T] (*fig. 13.*).

- i. To REDUCE the operating time, turn the adjuster [T] ANTI-CLOCKWISE.
- ii. To INCREASE the operating time, turn the adjuster [T] CLOCKWISE.

IMPORTANT – DELAY TIMER: The timer function also incorporates a **switch on delay**, which will start the fan after approximately 1-4 minutes for the set timeout period. The delay is only activated via the LS and not via the pull-cord or humidity sensor (if applicable). If the LS is switched off during the 1-4 minute period, the fan will remain off.

4. HUMIDITY ADJUSTMENT (HT/HTE model)

The fan's Humidity Set-Point is factory set to switch the fan on at 72%RH (*fig. 13.*).

- i. To LOWER the Set-Point, turn the Humidity Adjuster [RH] ANTI-CLOCKWISE. This makes the fan more sensitive to RH%, i.e. the fan will come on at a lower RH%.
- ii. To RAISE the Set-Point, turn the Humidity Adjuster [RH] CLOCKWISE. This makes the fan less sensitive to RH%, i.e. the fan will come on at a higher RH%.

C. WIRING.



WARNING: THE FAN AND ANCILLARY CONTROL EQUIPMENT MUST BE ISOLATED FROM THE POWER SUPPLY DURING THE INSTALLATION / OR MAINTENANCE.

Use 0.75mm² cable

1. Select and follow the appropriate wiring diagram (*fig. 14-15.*).
2. It maybe necessary to feed the mains cable around between the outside of the Base Housing [C] and the Skirt [H] to prevent the cable from being trapped.

3. Check all connections have been made correctly and ensure all terminal connections and cable clamps are securely fastened.
4. Ensure the impeller rotates and is free from obstructions.

D. SERVICING AND MAINTENANCE.



WARNING: THE FAN AND ANCILLARY CONTROL EQUIPMENT MUST BE ISOLATED FROM THE POWER SUPPLY DURING MAINTENANCE.

1. At intervals appropriate to the installation, the fan should be inspected and cleaned to ensure there is no build up of dirt or other deposits.
2. Remove the Filter [B] (*fig. 2.*) and wash in warm soapy water.
3. Wipe the inlets and front face with a damp cloth until clean.
4. Replace the Filter.

The fan has sealed for life bearings, which do not require lubrication.

VENT-AXIA SALES CENTRES

UK NATIONAL CALL CENTRE

Newton Road, Crawley
West Sussex
RH10 9JA

Sales

Telephone: 01293 441520

Fax: 01293 539209

Technical Support

Telephone: 01293 526062

Fax: 01293 539209

Did you find these instructions easy to use?

We value your comments, contact us via : Email:info@vent-axia.com

The Vent-Axia Guarantee

Applicable only to products installed and used in the United Kingdom. For details of the Guarantee outside of the United Kingdom contact your local supplier.

Vent-Axia guarantees this product for two years from the date of purchase against faulty material or workmanship. In the event of any part being found to be defective, the product will be repaired, or at the Company's discretion the product will be replaced without charge, provided that the product:

- 1). Has been installed and used in accordance with the instruction given with each unit.
- 2). The electricity supply complies with the rating label.
- 3). Has not been misused, neglected or damaged.
- 4). Has not been modified or repaired by any person not authorised to do so by Vent-Axia.

IF CLAIMING UNDER THE TERMS OF THE GUARANTEE

Please return the complete product, carriage paid to your original supplier by post or in person. Please ensure that it is adequately packed and accompanied by a letter clearly marked 'Guarantee Claim' stating the nature of the fault and providing proof of the date and source of purchase.

As part of the policy of continuous product improvement Vent-Axia reserve the right to alter specifications without notice

Instructions d'installation et de câblage du ventilateur extracteur pour salle de bains SOLO Plus SELV.



IMPORTANT : LISEZ CES INSTRUCTIONS DE SÉCURITÉ AVANT DE COMMENCER L'INSTALLATION

NE PAS INSTALLER cette unité dans des zones où les conditions suivantes sont présentes ou possibles :

- atmosphère excessivement chargée d'huile ou de graisse
- présence de gaz, de liquides ou de vapeurs corrosives ou inflammables
- températures ambiantes supérieures à 40°C ou inférieures à -5°C
- possibilité d'obstructions qui pourraient gêner l'accès ou l'enlèvement de l'unité.

CONSEILS ET CONSIGNES DE SECURITE

- A. Tout le câblage doit être conforme aux règlements actuels de l'institut des ingénieurs électriciens (I.E.E.) ou aux normes en vigueur dans votre pays et **DOIT** être installé par une personne ayant les qualifications nécessaires.
- B. L'alimentation électrique de ce ventilateur est 24v CC SELV (tension de sécurité extra-basse) à l'arrivée du transformateur/contrôleur. Ceci veut dire que le ventilateur peut être installé à portée d'une personne utilisant une douche ou une baignoire fixe, sur un mur ou une fenêtre proche par exemple. Ce ventilateur ne doit toutefois pas être installé là où il pourrait être submergé dans l'eau ou exposé régulièrement à des pulvérisations directes d'eau, en provenance d'une pomme de douche fixe ou mobile par exemple.
- C. **NE CONNECTER ENSEMBLE QUE DES PRODUITS DE LA GAMME SOLO PLUS SELV CAR LES VENTILATEURS SONT SPECIALEMENT ETUDIES POUR FONCTIONNER SUR UNE ALIMENTATION DE 24V CC ET NE SONT PAS COMPATIBLES AVEC LES AUTRES REGULATEURS VENT-AXIA. NE PAS CONNECTER PLUS D'UN VENTILATEUR AU REGULATEUR.**
- D. Le régulateur ne doit pas être installé dans une cabine ou alcôve de douche. Il doit être installé à l'écart des sources directes de pulvérisation d'eau et hors de portée d'une personne utilisant une baignoire ou une douche fixe. Installer l'unité à l'écart des sources de chaleur directes.
- E. Le régulateur a besoin d'une circulation libre d'air et ne doit pas être couvert par du matériel d'isolation comme celui utilisé pour les plafonds ou les combles par exemple.
- F. L'unité doit être équipée d'un sectionneur local à séparation de contact de 3 mm au minimum, capable de déconnecter tous les pôles.
- G. Vérifier que l'alimentation secteur (tension, fréquence et phases) est conforme au label des caractéristiques nominales.
- H. L'unité ne doit être utilisée que conjointement aux produits Vent-Axia appropriés.
- I. Nous recommandons d'utiliser un câble souple pour effectuer le raccordement aux bornes de l'unité.
- J. Lorsque l'unité est installée dans une pièce contenant un appareil à foyer, l'installateur doit s'assurer que le renouvellement de l'air suffit aux deux appareils.
- K. Lorsqu'une unité canalisée est utilisée pour extraire de l'air chargé d'humidité, un piège à condensation doit être installé. Les conduites horizontales doivent être installées en légère pente descendante à partir du ventilateur.
- L. L'appareil n'est pas prévu pour être utilisé sans surveillance par de jeunes enfants ou des personnes handicapées.
- M. Les jeunes enfants doivent être surveillés pour vérifier qu'ils ne jouent pas avec l'appareil.

DESCRIPTION

Sous sa forme standard, le SOLO Plus convient aux installations sur panneaux et sur murs, aux montages affleurant ou en surface et en position horizontale ou verticale. L'adaptateur d'assise ajustable fourni permet de raccorder une conduite (souple ou droite) de 100 mm par l'arrière ou par le côté. Des adaptateurs peuvent être utilisés, en association avec l'assise ajustable, pour les conduites des systèmes 25 et 50. Un kit mural (25 41 02 en blanc / 25 41 00 en marron) peut être utilisé pour les installations murales. Consulter notre catalogue ou notre site Internet (www.vent-axia.com) pour obtenir de plus amples informations sur les systèmes 25/50 et sur les options alternatives de conduites et de raccordement.

A. INSTALLATION

REGULATEUR SELV (TENSION DE SECURITE EXTRA-BASSE)

Le régulateur peut être installé en surface ou en affleurant avec le boîtier de montage en surface fourni ou un boîtier standard. Noter qu'il faudra peut-être remplacer les vis de fixation fournies par des vis adaptées au type du boîtier de montage fourni.

MONTAGE SUR PANNEAU (surface)

1. Découper un orifice de 105mm Ø dans le panneau, en laissant un espace suffisant pour pouvoir installer l'unité et enlever le filtre au cours de l'entretien.
2. Pour enlever la face du capot [A] retirer tout d'abord le filtre [B] (Fig.2) en appuyant sur les pinces et en tirant. Introduire la lame d'un petit tourne-vis dans les fentes, comme illustré à la Fig.3, et pousser avec précaution pour dégager la face avant. Soulever lentement la face du capot de façon à ne pas endommager le câble du capteur (modèle TM uniquement) qui est attaché à la face du capot et à la base du boîtier [C] (Fig.3/4/11).
IMPORTANT : Le câble du capteur PIR à infrarouge (modèle TM uniquement) n'est pas livré connecté. Pour le retirer, détacher avec précaution la tête de câble de la face avant [A].
3. Sortir la bague d'assise [G] de l'intérieur du carton et la fixer sur l'adaptateur d'assise [E] en vérifiant que la lèvre de la bague d'assise est fermement engagée dans la rainure de l'adaptateur d'assise (Fig.6). Vérifier que l'adaptateur d'assise est solidement fixé sur la base du boîtier et que le volet est toujours en place et fonctionne bien.
4. Sélectionner la vitesse appropriée et les autres fonctions en suivant les instructions de la section **B. REGLAGE**.
5. Raccorder la conduite à l'assise et pousser dans l'orifice du panneau en vérifiant que l'embase du capot [H] est bien en place dans la base du boîtier. Fixer avec la visserie appropriée (Fig.7).
6. Vérifier que la roue tourne librement.
7. Sélectionner et suivre le schéma de câblage approprié à la section **C. CABLAGE**.
8. Remettre la face du capot en place en s'assurant que le câble du capteur infrarouge (modèle TM uniquement) est bien reconnecté au capteur infrarouge (Fig.11).
9. Mettre l'unité sous tension et vérifier qu'elle fonctionne correctement.
IMPORTANT : Notez que les modèles T et HT sont équipés d'un retard de mise en marche qui fera démarrer le ventilateur après 2 minutes pour la période pré-réglée. Cette temporisation n'est activée que par le commutateur sous tension et non pas par le cordon à tirer ou par le détecteur d'humidité (s'il y a lieu). Si le commutateur sous tension est éteint au cours de ce délai de 2 minutes, le ventilateur ne se mettra pas en marche.

MONTAGE SUR PANNEAU (affleurant)

1. Marquer et découper un orifice rectangulaire de 190 x 240 mm dans le panneau en suivant le gabarit imprimé sur la page arrière. Laisser un espace suffisant pour pouvoir installer l'unité et enlever le filtre au cours de l'entretien. **IMPORTANT : Prenez soin d'éviter les poutres et les câbles noyés.**
2. Pour enlever la face du capot [A], retirer tout d'abord le filtre [B] (Fig.2) en appuyant sur les pinces et en tirant. Introduire la lame d'un petit tourne-vis dans les fentes, comme illustré à la Fig.3, et pousser avec précaution pour dégager la face du capot. Soulever lentement la face du capot de façon à ne pas endommager le câble du capteur (modèle TM uniquement) qui est attaché à la face du capot et à la base du boîtier [C] (Fig.3/4/11).
IMPORTANT : Le câble du capteur PIR à infrarouge (modèle TM uniquement) n'est pas livré connecté. Pour le retirer, détacher avec précaution la tête de câble de la face avant.
3. Sortir la bague d'assise [G] de l'intérieur du carton et la fixer sur l'adaptateur d'assise [E] en vérifiant que la lèvre de la bague d'assise est fermement engagée dans la rainure de l'adaptateur d'assise (Fig.6). Pour les installations à sortie latérale, repositionner l'assise : Retirer la vis et glisser l'assise de façon à l'écarter de la position arrière de la base du boîtier en observant les guides (Fig.8). Tourner l'assise et la repositionner pour une sortie latérale en utilisant ces guides et la vis de retenue (Fig.9). Vérifier que l'adaptateur d'assise est solidement fixé sur la base du boîtier, dans l'orientation requise, et que le volet est toujours en place et fonctionne bien.
4. Retirer l'embase du capot et visser complètement la vis fournie dans la bride de la base du boîtier. Fixer ensuite les pinces de panneau fournies [F] (Fig.10) en laissant un intervalle assez grand entre la pince et la bride pour l'épaisseur du panneau (pour que les pinces puissent s'ouvrir derrière le panneau).
5. Sélectionner la vitesse appropriée et les autres fonctions en suivant les instructions de la section **B. REGLAGE**.
6. Raccorder la conduite à l'assise et pousser dans l'orifice du panneau en vérifiant que le câble entre dans la base du boîtier et que les pinces s'ouvrent bien derrière le panneau.
7. Fixer en position en serrant les pinces du panneau. Il sera peut-être nécessaire de maintenir l'unité au centre de l'orifice pendant le vissage pour qu'aucun intervalle ne reste visible une fois que le capot en place.
IMPORTANT : Servez-vous de préférence d'un tourne-vis manuel mais si vous utilisez des outils électriques, réglez-les sur le couple minimum. Ne serrez pas trop fort.
8. Vérifier que la roue tourne librement.
9. Sélectionner et suivre le schéma de câblage approprié à la section **C. CABLAGE**.
10. Remettre la face du capot en place en s'assurant que le câble de capteur infrarouge (modèle TM uniquement) est bien reconnecté à la carte de circuit imprimé du capteur infrarouge (Fig.11).
11. Mettre l'unité sous tension et vérifier qu'elle fonctionne correctement.
IMPORTANT : Notez que les modèles T et HT sont équipés d'un retard de mise en marche qui fera démarrer le ventilateur après 2 minutes pour la période pré-réglée. Cette temporisation n'est activée que par le commutateur sous tension et non pas par le cordon à tirer ou par le détecteur d'humidité (s'il y a lieu). Si le

commutateur sous tension est éteint au cours de ce délai de 2 minutes, le ventilateur ne se mettra pas en marche.

MONTAGE MURAL (surface) Un kit mural (25 41 02 en blanc / 25 41 00 en marron) peut être utilisé pour les installations murales.

1. Découper un orifice de 115mm Ø dans le mur en laissant un espace suffisant pour pouvoir installer l'unité et enlever le filtre au cours de l'entretien.
2. Introduire le manchon dans le mur, diamètre le plus grand du côté de la pièce, et cimenter les deux extrémités de manière à affleurer les parois du mur. Incliner le manchon du mur vers le bas à partir du ventilateur pour faire évacuer l'humidité vers le mur extérieur.
3. Grille extérieure : En se servant de la plaque arrière comme gabarit, marquer le centre des trous de fixation sur le mur. Percer et cheviller le mur puis fixer la plaque arrière à sa place.
4. Fixer la grille extérieure sur la plaque arrière (vis fournies). Vérifier que les lattes d'aération sont orientées vers le bas.
5. Pour enlever la face du capot [A] retirer tout d'abord le filtre [B] (Fig.2). en appuyant sur les pinces et en tirant. Introduire la lame d'un petit tourne-vis dans les fentes, comme illustré à la Fig.3, et pousser avec précaution pour dégager la face du capot. Soulever lentement la face du capot de façon à ne pas endommager le câble du capteur (modèle TM uniquement) qui est attaché à la face du capot et à la base du boîtier [C] (Fig.3/4/11).
IMPORTANT : Le câble du capteur PIR à infrarouge (modèle TM uniquement) n'est pas livré connecté. Pour le retirer, détacher avec précaution la tête de câble de la face avant.
6. Sortir la bague d'assise [G] de l'intérieur du carton et la fixer sur l'adaptateur d'assise [E] en vérifiant que la lèvre de la bague d'assise est fermement engagée dans la rainure de l'adaptateur d'assise (Fig.6). Vérifier que l'adaptateur d'assise est solidement fixé sur la base du boîtier et que le volet est toujours en place et fonctionne bien.
7. Sélectionner la vitesse appropriée et les autres fonctions en suivant les instructions de la section **B. REGLAGE**.
8. Marquer le centre des trous de fixation sur le mur en se servant de la page arrière ou de la base du boîtier [C] comme gabarit et glisser avec précaution l'assise dans le manchon du mur. Fixer la base du boîtier avec les vis et les fixations fournies en vérifiant que l'embase du capot [H] est bien en place dans la base du boîtier (Fig.7).
9. Vérifier que la roue tourne librement.
10. Sélectionner et suivre le schéma de câblage approprié à la section **C. CABLAGE**.
11. Remettre la face du capot en place en s'assurant que le câble du capteur infrarouge (modèle TM uniquement) est bien reconnecté au capteur infrarouge (Fig.11).
12. Mettre l'unité sous tension et vérifier qu'elle fonctionne correctement.
IMPORTANT : Notez que les modèles T et HT sont équipés d'un retard de mise en marche qui fera démarrer le ventilateur après 2 minutes pour la période pré-réglée. Cette temporisation n'est activée que par le commutateur sous tension et non pas par le cordon à tirer ou par le détecteur d'humidité (s'il y a lieu). Si le commutateur sous tension est éteint au cours de ce délai de 2 minutes, le ventilateur ne se mettra pas en marche.

B. REGLAGE



ATTENTION : LE VENTILATEUR ET LE MATERIEL DE COMMANDE AUXILIAIRE DOIVENT OBLIGATOIREMENT ETRE ISOLES DE L'ALIMENTATION ELECTRIQUE PENDANT L'INSTALLATION ET L'ENTRETIEN.

1. OPTION LENTE CONSTANTE

Poser le cavalier de vitesse lente constante [TR] (Fig. 12) avec la tête de cavalier fournie pour sélectionner la vitesse lente constante. L'option de vitesse lente est réglée en usine sur la position Arrêt (cavalier ouvert).

2. SELECTION DE LA VITESSE

Cette fonction détermine la vitesse à laquelle le ventilateur fonctionne lorsqu'il est activé soit par le cordon à tirer, soit par le commutateur sous tension, soit par le détecteur d'humidité, soit par infrarouge.

La vitesse est réglée en usine à 68 m³/h.

1. Tourner l'ajusteur de vitesse [S] DANS LE SENS DES AIGUILLES D'UNE MONTRE pour AUGMENTER la vitesse jusqu'à un maximum de 90 m³/h (Fig. 13.).
2. Tourner l'ajusteur de vitesse [S] DANS LE SENS INVERSE DES AIGUILLES D'UNE MONTRE pour réduire la vitesse jusqu'à un minimum de 68 m³/h (Fig. 13.).

3. AJUSTEMENT DE LA MINUTERIE (modèles T, HT et TM)

La période de dépassement de temps est réglée sur 15 minutes à l'usine. La période de dépassement de temps peut être ajustée de 5 à 30 minutes en modifiant l'ajusteur sur la carte de commande [T] (Fig. 13.).

- i. Pour REDUIRE le temps de fonctionnement, tourner l'ajusteur [T] DANS LE SENS INVERSE DES AIGUILLES D'UNE MONTRE.
- ii. Pour RALLONGER le temps de fonctionnement, tourner l'ajusteur [T] DANS LE SENS DES AIGUILLES D'UNE MONTRE.

IMPORTANT – TEMPORISATION : La fonction de minuterie des modèles T et HT incorpore aussi une temporisation lors de la mise en marche. Cette fonction fera démarrer le ventilateur 1-4 minutes après la mise en marche, pour la période pré réglée. Ce retard n'est activé que par le commutateur sous tension et non par le cordon à tirer ou le détecteur d'humidité (s'il y a lieu). Si le commutateur sous tension est éteint au cours de ces 1-4 minutes, le ventilateur ne se mettra pas en marche.

4. AJUSTEMENT DE L'HUMIDITE (modèle HT)

Le point de consigne d'humidité est réglé en usine de manière à activer le ventilateur à une humidité relative de 72% (Fig. 13.).

- i. Pour RABAISSE le point de consigne, tourner l'ajusteur d'humidité [RH] DANS LE SENS INVERSE DES AIGUILLES D'UNE MONTRE. Ceci rend le ventilateur plus sensible au pourcentage d'humidité, à savoir qu'il se met en marche à un degré d'humidité plus bas.
- ii. Pour REMONTE le point de consigne, tourner l'ajusteur d'humidité [RH] DANS LE SENS DES AIGUILLES D'UNE MONTRE. Ceci rend le ventilateur moins sensible au pourcentage d'humidité, à savoir qu'il se met en marche à un degré d'humidité plus élevé.

C. CABLAGE



ATTENTION : LE VENTILATEUR ET LE MATERIEL DE COMMANDE AUXILIAIRE DOIVENT OBLIGATOIREMENT ETRE ISOLES DE L'ALIMENTATION ELECTRIQUE PENDANT L'INSTALLATION ET L'ENTRETIEN.

Utiliser du câble de 0,75mm².

1. Sélectionner et suivre le schéma de câblage approprié (Fig. 14-15)
2. Il peut être nécessaire de faire passer le câble de secteur autour, entre l'extérieur de la base du boîtier [C] et l'embase du capot [H] pour l'empêcher d'être coincé.
3. Vérifier que toutes les connexions sont correctes et que tous les raccordements de bornes et colliers de câbles sont solidement attachés.
4. Vérifier que la roue tourne sans obstructions.

D. ENTRETIEN ET MAINTENANCE



ATTENTION : LE VENTILATEUR ET LE MATERIEL DE COMMANDE AUXILIAIRE DOIVENT OBLIGATOIREMENT ETRE ISOLES DE L'ALIMENTATION ELECTRIQUE PENDANT L'ENTRETIEN.

1. Inspecter et nettoyer le ventilateur à intervalles appropriés à l'installation pour assurer que les saletés et autres dépôts ne s'accumulent pas.
2. Enlever le filtre [B] (Fig.2) et le laver dans l'eau chaude savonneuse.
3. Essuyer les entrées et la face du capot avec un chiffon humide.
4. Remettre le filtre en place.

Les paliers du ventilateur sont scellés à vie et ne demandent pas de lubrification.

AGENCES COMMERCIALES VENT-AXIA

UK NATIONAL CALL CENTRE

Newton Road, Crawley
West Sussex
RH10 9JA

Sales

Telephone: 01293 441520

Fax: 01293 539209

Technical Support

Telephone: 01293 526062

Fax: 01293 539209

Trouvez-vous ces instructions faciles à utiliser ?

Vos commentaires nous importent, contactez-nous à : E-mail : info@vent-axia.com

La garantie Vent-Axia

Cette garantie ne s'applique qu'aux produits installés et utilisés au Royaume-Uni. Contactez votre fournisseur local si vous désirez obtenir des détails sur la garantie hors du Royaume-Uni.

Vent-Axia garantit ce produit pendant deux ans à dater de l'achat pour tous les vices de matière ou de façon. Si une pièce se révélait défectueuse, ce produit sera réparé ou, à la discrétion de la compagnie, sera remplacé gratuitement, à condition

- 5). qu'il ait été installé et utilisé conformément aux instructions fournies avec chaque unité ;
- 6). que l'alimentation électrique soit conforme aux caractéristiques nominales
- 7). qu'il n'ait pas été utilisé de manière abusive, négligé ou endommagé.
- 8). qu'il n'ait pas été modifié ou réparé par une personne quelconque non-autorisée à le faire par Vent-Axia.

EN CAS DE RECLAMATION CONFORMEMENT AUX TERMES DE LA GARANTIE

Veillez renvoyer le produit complet, port payé, par la poste ou en personne, à votre fournisseur d'origine. Vérifiez qu'il est emballé de façon suffisante et qu'il est accompagné d'une lettre clairement marquée "Réclamation sous Garantie" indiquant la nature du problème et fournissant la preuve de la date et de la source de l'achat.

Dans le cadre de la politique d'amélioration continue de ses produits Vent-Axia se réserve le droit de modifier ses spécifications sans préavis

Einbau- und Installationsanleitung für den Sauglüfter SOLO Plus SELV für Badezimmer



**WICHTIG:
LESEN SIE DIESE ANLEITUNG,
BEVOR SIE MIT DER
INSTALLATION BEGINNEN.**

Installieren Sie dieses Produkt NICHT in Bereichen, in denen Folgendes vorliegt oder vorkommen kann:

- Übermäßig viel Öl oder eine stark fetthaltige Atmosphäre.
- Korrodierende oder entflammbare Gase, Flüssigkeiten oder Dämpfe.
- Umgebungstemperaturen über 40°C oder unter -5°C.
- Mögliche Hindernisse, die den Zugang zum Lüfter oder seinen Ausbau behindern würden.

SICHERHEITSHINWEISE UND RICHTLINIEN

- A. Sämtliche Verkabelung muss den einschlägigen IEE-Vorschriften oder den in Ihrem Land geltenden Normen entsprechen. Die Verkabelung **MUSS** von einer entsprechend qualifizierten Person installiert werden.
- B. Die Stromversorgung für diesen Lüfter ist eine Sicherheitskleinspannung von 24 V DC vom Transformator/Steuergerät. Das bedeutet, dass der Lüfter in Reichweite von festmontierten Bädern oder Duscheinrichtungen, z.B. in einem Fenster oder einer Wand in ihrer Nähe, installiert werden kann. Der Lüfter darf allerdings nicht so eingebaut werden, dass er in Wasser untergetaucht oder regelmäßig Spritzwasser ausgesetzt wird, z.B. aus einer festmontierten oder beweglichen Brausekopf.
- C. **PRODUKTE DER SERIE SOLO PLUS SELV DÜRFEN NUR MIT PRODUKTEN DER GLEICHEN SERIE ZUSAMMENGESCHALTET WERDEN. DIE LÜFTER SIND NÄMLICH SPEZIELL AUF BETRIEB MIT 24 V DC AUSGELEGT UND MIT ANDEREN STEUERGERÄTEN VON VENT-AXIA NICHT KOMPATIBEL. AN JEDES STEUERGERÄT DARF HÖCHSTENS EIN LÜFTER ANGESCHLOSSEN WERDEN.**
- D. Das Steuergerät darf nicht in einer Dusche oder -kabine installiert werden. Es ist in ausreichender Entfernung von Spritzwasserquellen und außer Reichweite von festmontierten Bädern oder Duscheinrichtungen anzubringen. Es darf nicht in der Nähe von direkten Wärmequellen angebracht werden.
- E. Das Steuergerät benötigt frei zirkulierende Luft und darf nicht mit Dämmstoff (Isoliermaterial) bedeckt werden, wie er z.B. in einer Decke oder einem Dachraum zu finden ist.
- F. Installationsseitig ist eine allpolige Trennvorrichtung vom Netz mit einer Kontaktöffnungsweite von mindestens 3 mm pro Pol vorzusehen.
- G. Stellen Sie sicher, dass die Netzstromversorgung (Spannung, Frequenz und Phase) dem Typenschild entspricht.
- H. Der Lüfter darf nur in Verbindung mit den zutreffenden Vent-Axia-Produkten verwendet werden.
- I. Es wird empfohlen, dass für den Anschluss an die Lüftersteckeranschlüsse biegsames Kabel verwendet wird.
- J. Bei Entlüftung von Räumen mit schornsteinabhängiger Feuerung muß für ausreichende Zuluft gesorgt werden.
- K. Entlüftung über Rohrleitung: Bei hoher Luftfeuchtigkeit ist ein Kondenswasserabscheider in der Abluftleitung vorzusehen. Waagrechte Rohrleitungen sind vom Lüfter weg abfallend zu führen.
- L. Dieses Gerät darf von kleinen Kindern oder schwachen Personen nicht unbeaufsichtigt benutzt werden.
- M. Es ist sicherzustellen, dass Kinder nicht mit dem Gerät spielen.

BESCHREIBUNG

Der SOLO Plus ist für den horizontalen oder vertikalen unter- oder aufputzmontierten Platten-/Wandeinbau geeignet (Standardausführung). Über den mitgelieferten verstellbaren Stützteile kann 100-mm-Abluftleitungsrohr (biegsam oder gerade) am Lüfter angebracht werden, was einen rückseitigen oder seitlichen Ausgang ermöglicht. Der Adapter für die Abluftleitung System 25 und System 50 kann in Verbindung mit dem verstellbaren Stützteile verwendet werden. Für die Wandmontage kann ein Wand-Kit (25 41 02 Weiß/25 41 00 Braun) verwendet werden. Weitere Informationen über System 25/50 und alternative Abluftleitungs- und Abschlussmöglichkeiten finden Sie in unserem Katalog und unserer Website (www.vent-axia.com).

A. INSTALLATION

SELV-STEUERGERÄT

Das Steuergerät kann mithilfe der mitgelieferten Aufputzmontagebuchse oder einer Standardmontagebuchse auf- oder unterputzmontiert werden. Beachten Sie, dass anstelle der mitgelieferten Befestigungsschrauben eventuell für die verwendete Montagebuchse geeignete Schrauben verwendet werden müssen.

PLATTENEINBAU (Aufputzmontage)

1. Schneiden Sie ein Loch mit 105 mm Ø in die Platte. Stellen Sie dabei sicher, dass für das zu installierende Produkt ausreichend Platz vorhanden ist und dass der Filter für Wartungszwecke entfernt werden kann.
2. Abnehmen des Frontteils [A]. Nehmen Sie zunächst den Filter [B] (Abb. 2) ab, indem sie die Klemmen zusammendrücken und ihn herausziehen. Stecken Sie einen Schraubenzieher mit schmaler Klinge in die Schlitz, wie in Abb. 3 gezeigt, und lösen Sie das Frontteil durch behutsames Drücken. Ziehen Sie das

Frontteil langsam vom unteren Rand her ab. Achten Sie dabei darauf, dass Sie das Sensorkabel (nur TM-Modell) nicht beschädigen, das am Frontteil und dem Hauptgehäuse [C] (Abb. 3/4/11) angebracht ist.

WICHTIG: Das Kabel für den PIR-Sensor (PIR – Passiv-Infrarot) (nur TM-Modell) ist nicht wie geliefert angeschlossen, kann aber entfernt werden, indem der Kabelverbinder vorsichtig vom Frontteil [A] gelöst wird.

3. Nehmen Sie den Stutzenring [G] aus dem Karton heraus und stecken Sie ihn auf den Stutzenadapter [E]. Stellen Sie dabei sicher, dass die Lippe am Stutzenring fest in der Nut im Stutzenadapter (Abb. 6) sitzt. Stellen Sie sicher, dass der Stutzenadapter fest auf dem Hauptgehäuse sitzt und der Verschluss noch sicher befestigt und voll funktionsfähig ist.
4. Stellen Sie die entsprechende Geschwindigkeitseinstellung und andere Merkmale gemäß **Teil B, EINSTELLUNG** ein.
5. Bringen Sie das Abluftleitungsrohr am Stutzenteil an und stecken Sie es in das Loch in der Platte. Vergewissern Sie sich dabei, dass die Einfassung [H] richtig im Hauptgehäuse zu sitzen kommt. Befestigen Sie sie mit den entsprechenden Befestigungen (Abb. 7) in ihrer Einbaulage.
6. Stellen Sie sicher, dass sich das Laufrad frei dreht.
7. Wählen Sie den entsprechenden anzuwendenden Schaltplan in **Teil C, VERKABELUNG** aus.
8. Bringen Sie den Frontteil wieder an. Stellen Sie sicher, dass das PIR-Sensorkabel (nur TM-Modell) wieder an der PIR-Sensor-Leiterplatte (Abb. 11) angeschlossen wird.
9. Schalten Sie die Netzstromversorgung ein und prüfen Sie, ob der Lüfter ordnungsgemäß funktioniert.
WICHTIG: Beachten Sie, dass die Lüfter T und HT eine Einschaltverzögerungsfunktion haben, die den Lüfter nach 2 Minuten für die eingestellte Nachlaufdauer einschaltet. Die Verzögerung wird nur über den Fernschalter (Lichtschalter - LS) aktiviert und nicht über Zugschalter oder Feuchtigkeitssensor (falls zutreffend). Wenn der LS während der zweiminütigen Verzögerung ausgeschaltet wird, bleibt der Lüfter abgestellt.

PLATTENEINBAU (Unterputzmontage)

1. Markieren Sie ein rechteckiges Loch (190 mm x 240 mm) und schneiden Sie es aus der Platte aus. Benutzen Sie dabei die rückseitige Schablone und stellen Sie sicher, dass für das zu installierende Produkt ausreichend Platz vorhanden ist und dass der Filter für Wartungszwecke entfernt werden kann. **WICHTIG:** Das Loch nicht dort anbringen, wo Balken oder verdeckte Kabel hinter der Platte liegen.
2. Abnehmen des Frontteils [A]. Nehmen Sie zunächst den Filter [B] (Abb. 2) ab, indem Sie die Klemmen zusammendrücken und ihn herausziehen. Stecken Sie einen Schraubenzieher mit schmaler Klinge in die Schlitzlöcher, wie in Abb. 3 gezeigt, und lösen Sie das Frontteil durch behutsames Drücken. Ziehen Sie das Frontteil langsam vom unteren Rand her ab. Achten Sie dabei darauf, dass Sie das Sensorkabel (nur TM-Modell) nicht beschädigen, das am Frontteil und dem Hauptgehäuse [C] (Abb. 3/4/11) angebracht ist. **WICHTIG: Das Kabel für den PIR-Sensor (PIR – Passiv-Infrarot) (nur TM-Modell) ist nicht wie geliefert angeschlossen, kann aber entfernt werden, indem der Kabelverbinder vorsichtig vom Frontteil [A] gelöst wird.**
3. Nehmen Sie den Stutzenring [G] aus dem Karton heraus und stecken Sie ihn auf den Stutzenadapter [E]. Stellen Sie dabei sicher, dass die Lippe am Stutzenring fest in der Nut im Stutzenadapter (Abb. 6) sitzt. Zum Herstellen eines Seitenausgangs entfernen Sie die Schraube und schieben Sie den Stutzenteil von der Rückseite des Hauptgehäuses herunter. Achten Sie dabei vorsichtig auf die Führungen (Abb. 8). Drehen Sie dann den Stutzenteil und bringen Sie ihn in die Position für den Seitenausgang. Er wird mit den gleichen Führungen und der gleichen Halteschraube (Abb. 9) befestigt. Stellen Sie sicher, dass der Stutzenadapter in der richtigen Ausrichtung fest auf dem Hauptgehäuse sitzt und der Verschluss noch sicher befestigt und voll funktionsfähig ist.
4. Entfernen Sie die Einfassung und stecken Sie die mitgelieferte Schraube ganz durch den Flansch des Hauptgehäuses (Abb. 10). Bringen Sie dann die mitgelieferten Plattenklammern [F] (Abb. 10) an. Lassen Sie zwischen der Klammer und dem Flansch der Dicke der Platte entsprechend genug Platz (sodass die Klammern hinter der Platte auffedern können).
5. Stellen Sie die entsprechende Geschwindigkeitseinstellung und andere Merkmale gemäß **Teil B, EINSTELLUNG** ein.
6. Bringen Sie das Abluftleitungsrohr am Stutzenteil an und stecken Sie es in das Loch in der Platte. Stellen Sie dabei sicher, dass das Kabel in das Hauptgehäuse gespeist wird und die Plattenklammern hinter der Platte auffedern.
7. Befestigen Sie die Einheit in ihrer Einbaulage, indem Sie die Plattenklammern behutsam festziehen. Eventuell müssen Sie das Produkt während des Festziehens der Schrauben mittig im Loch halten, damit nach dem Anbringen der Abdeckung keine Spalten sichtbar sind. **WICHTIG: Beim Verwenden von Elektrowerkzeugen sind diese auf die kleinste Drehkräfteeinstellung einzustellen. Verwenden Sie vorzugsweise einen Hand-Schraubenzieher. Ziehen Sie die Schrauben nicht zu fest an.**
8. Vergewissern Sie sich, dass sich das Laufrad frei dreht.
9. Wählen Sie den entsprechenden anzuwendenden Schaltplan in **Teil C, VERKABELUNG** aus.
10. Bringen Sie den Frontteil wieder an. Stellen Sie dabei sicher, dass das PIR-Sensorkabel (nur TM-Modell) wieder an der PIR-Sensor-Leiterplatte angeschlossen wird (Abb. 11).
11. Schalten Sie die Netzstromversorgung ein und prüfen Sie, ob der Lüfter ordnungsgemäß funktioniert.
WICHTIG: Beachten Sie, dass die Lüfter T und HT eine Einschaltverzögerungsfunktion haben, die den Lüfter nach 2 Minuten für die eingestellte Nachlaufdauer einschaltet. Die Verzögerung wird nur über den Fernschalter

(Lichtschalter - LS) aktiviert und nicht über Zugschalter oder Feuchtigkeitssensor (falls zutreffend). Wenn der LS während der zweiminütigen Verzögerung ausgeschaltet wird, bleibt der Lüfter abgestellt.

WANDEINBAU (Aufputzmontage) Für die Wandmontage kann ein Wand-Kit (25 41 02 Weiß/25 41 00 Braun) verwendet werden.

3. Brechen Sie ein Loch mit 115 mm \varnothing in die Wand. Stellen Sie dabei sicher, dass für das zu installierende Produkt ausreichend Platz vorhanden ist und dass der Filter für Wartungszwecke entfernt werden kann.
4. Setzen Sie die Wandbuchse mit dem Ende größeren Durchmessers auf der Zimmerseite ein und zementieren Sie beide Enden so ein, dass sie mit den Wandflächen bündig sind. Die Wandbuchse sollte vom Lüfter weg nach unten angewinkelt sein, damit Kondenswasser nach außen ablaufen kann.
5. Außengitter: Nehmen Sie die Rückseite als Schablone und markieren Sie die Befestigungslochmitten an der Wand. Bohren Sie die Löcher in die Wand, schieben Sie Dübel ein und befestigen Sie die Rückseitenplatte.
6. Befestigen Sie das Außengitter an der Rückseitenplatte (Schrauben sind mitgeliefert). Die Gitterlamellen müssen nach unten geneigt sein.
7. Abnehmen des Frontteils [A]. Nehmen Sie zunächst den Filter [B] (Abb. 2) ab, indem sie die Klemmen zusammendrücken und ihn herausziehen. Stecken Sie einen Schraubenzieher mit schmaler Klinge in die Schlitzlöcher, wie in Abb. 3 gezeigt, und lösen Sie das Frontteil durch behutsames Drücken. Ziehen Sie das Frontteil langsam vom unteren Rand her ab. Achten Sie dabei darauf, dass Sie das Sensorkabel (nur TM-Modell) nicht beschädigen, das am Frontteil und dem Hauptgehäuse [C] (Abb. 3/4/11) angebracht ist.
WICHTIG: Das Kabel für den PIR-Sensor (PIR – Passiv-Infrarot) (nur TM-Modell) ist nicht wie geliefert angeschlossen, kann aber entfernt werden, indem der Kabelverbinder vorsichtig vom Frontteil [A] gelöst wird.
8. Nehmen Sie den Stützenring [G] aus dem Karton heraus und stecken Sie ihn auf den Stützenadapter [E]. Stellen Sie dabei sicher, dass die Lippe am Stützenring fest in der Nut im Stützenadapter (Abb. 6) sitzt. Stellen Sie sicher, dass der Stützenadapter fest auf dem Hauptgehäuse sitzt und der Verschluss noch sicher befestigt und voll funktionsfähig ist.
9. Stellen Sie die entsprechende Geschwindigkeitseinstellung und andere Merkmale gemäß **Teil B, EINSTELLUNG** ein.
10. Markieren Sie die Befestigungslochmitten mithilfe der Rückseite der Broschüre oder des Hauptgehäuses [C] als Schablone an der Wand. Schieben Sie den Stützteile vorsichtig in die Schachtauskleidung. Befestigen Sie das Hauptgehäuse mit den mitgelieferten Schrauben und Befestigungselementen in seiner Einbaulage. Stellen Sie dabei sicher, dass die Einfassung [H] richtig im Hauptgehäuse zu sitzen kommt (Abb. 7).
11. Vergewissern Sie sich, dass sich das Laufrad frei dreht.
12. Wählen Sie den entsprechenden anzuwendenden Schaltplan in **Teil C, VERKABELUNG** aus.
13. Bringen Sie den Frontteil wieder an. Stellen Sie dabei sicher, dass das PIR-Sensorkabel (nur TM-Modell) wieder an der PIR-Sensor-Leiterplatte angeschlossen wird (Abb. 11).
14. Schalten Sie die Netzstromversorgung ein und prüfen Sie, ob der Lüfter ordnungsgemäß funktioniert.
WICHTIG: Beachten Sie, dass die Lüfter T und HT eine Einschaltverzögerungsfunktion haben, die den Lüfter nach 2 Minuten für die eingestellte Nachlaufdauer einschaltet. Die Verzögerung wird nur über den Fernschalter (Lichtschalter - LS) aktiviert und nicht über Zugschalter oder Feuchtigkeitssensor (falls zutreffend). Wenn der LS während der zweiminütigen Verzögerung ausgeschaltet wird, bleibt der Lüfter abgestellt.

B. EINSTELLUNG



ACHTUNG! DER LÜFTER UND STEUER-/BEDIENZUBEHÖR MÜSSEN WÄHREND INSTALLATION UND WARTUNG VON DER STROMVERSORUNG ISOLIERT (SPANNUNGSFREI) SEIN.

1. AUSWAHL DER DAUERLÜFTUNG BEI LANGSAMER DREHZAHLE (CONSTANT TRICKLE)

Verbinden Sie den Trickle-Jumper 3 (Dauerlüftungsanschluss für Brücke) [TR] (Abb. 12) mit der mitgelieferten Steckbrücke, um die Dauerlüftung auszuwählen. Die Dauerlüftung ist werksseitig auf "aus" eingestellt (Jumper offen).

2. AUSWAHL DER GESCHWINDIGKEIT

Damit wird die Geschwindigkeit bestimmt, mit der der Lüfter läuft, wenn er durch Zugschalter/LS-Leitung/Feuchtigkeit/PIR aktiviert wird.

Die Förderleistung des Lüfters ist werksseitig auf Normal 68 m³/h eingestellt.

- i. Drehen Sie den Geschwindigkeitsregler [S] IM UHRZEIGERSINN, um die Förderleistung bis auf maximal 90 m³/h zu steigern (Abb. 13).
- ii. Drehen Sie den Geschwindigkeitsregler [S] ENTGEGEN DEM UHRZEIGERSINN, um die Förderleistung bis auf einen Mindestwert von 68 m³/h zu verringern (Abb. 13).

3. NACHLAUFZEIT-EINSTELLUNG (Modelle T, HT, TM)

Die Nachlaufzeit ist werksseitig auf 15 Minuten eingestellt. Sie kann durch Einstellen des Reglers auf der Steuerungsleiterplatte [T] auf einen Wert von 5 bis 30 Minuten eingestellt werden (Abb. 13).

- i. VERKÜRZEN der Nachlaufzeit: Drehen Sie den Regler [T] ENTGEGEN DEM UHRZEIGERSINN.
- ii. VERLÄNGERN der Nachlaufzeit: Drehen Sie den Regler [T] IM UHRZEIGERSINN.

WICHTIG – VERZÖGERUNGS-TIMER: Die Timer-Funktion bei T und HT beinhaltet auch eine Einschaltverzögerung, die den Lüfter 1-4 Minuten nach der Aktivierung für die eingestellte Nachlaufdauer einschaltet. Die Verzögerung wird nur über den LS aktiviert und nicht über Zugschalter oder Feuchtigkeitssensor (falls zutr.). Wird der LS während der zweiminütigen Verzögerung ausgeschaltet, bleibt der Lüfter abgestellt.

4. FEUCHTIGKEITSEINSTELLUNG (HT-Modell)

Der Luftfeuchtigkeitssollwert des Lüfters ist werksseitig so eingestellt, dass der Lüfter bei 72 % rel. Feuchte eingeschaltet wird (Abb. 13).

- i. Um den Sollwert NIEDRIGER zu stellen, drehen Sie den Feuchtigkeitsregler [RH] ENTGEGEN DEM UHRZEIGERSINN. Die Empfindlichkeit des Lüfters gegenüber der rel. Feuchte wird dadurch gesteigert, d.h. er wird bei einer niedrigeren rel. Feuchte eingeschaltet.
- ii. Um den Sollwert HÖHER zu stellen, drehen Sie den Feuchtigkeitsregler [RH] IM UHRZEIGERSINN. Die Empfindlichkeit des Lüfters gegenüber der rel. Feuchte wird dadurch herabgesetzt, d.h. der Lüfter wird bei einer höheren rel. Feuchte eingeschaltet.

C. VERKABELUNG



ACHTUNG! DER LÜFTER UND STEUER-/BEDIENZUBEHÖR MÜSSEN WÄHREND INSTALLATION UND WARTUNG VON DER STROMVERSORGUNG ISOLIERT (SPANNUNGSFREI) SEIN.

Verwenden Sie 0,75mm²-Kabel.

1. Wählen Sie den entsprechenden anzuwendenden Schaltplan aus (Abb. 14-15).
2. Es kann sein, dass das Netzkabel zwischen der Außenseite des Hauptgehäuses [C] und der Einfassung [H] herumgelegt werden muss, damit das Kabel nicht eingeklemmt wird.
3. Überprüfen Sie, ob alle Anschlüsse richtig hergestellt wurden. Vergewissern Sie sich, dass alle Klemmenanschlüsse und Kabelklemmen sicher befestigt sind.
4. Vergewissern Sie sich, dass das Laufrad rotiert und nicht blockiert ist.

D. PFLEGE UND WARTUNG



ACHTUNG: DER LÜFTER UND STEUER-/BEDIENZUBEHÖR MÜSSEN WÄHREND INSTALLATION UND WARTUNG VON DER STROMVERSORGUNG ISOLIERT (SPANNUNGSFREI) SEIN.

1. Der Lüfter ist in dem Einbauort entsprechenden Abständen zu überprüfen und zu reinigen. Dadurch wird sichergestellt, dass sich keine Schmutz- und sonstigen Ablagerungen bilden.
2. Entfernen Sie den Filter [B] (Abb. 2) und waschen Sie ihn in warmer Seifenlauge.
3. Wischen Sie die Einlässe und die Vorderseite des Lüfters mit einem feuchten Tuch sauber.
4. Setzen Sie den Filter wieder ein.

Der Lüfter hat gekapselte Lager, die nicht geschmiert werden müssen.

VENT-AXIA VERTRIEBSZENTREN

UK NATIONAL CALL CENTRE

Newton Road, Crawley
West Sussex
RH10 9JA

Sales

Telephone: 01293 441520
Fax: 01293 539209

Technical Support

Telephone: 01293 526062
Fax: 01293 539209

War diese Anleitung leicht verständlich und einfach auszuführen?

Wir wissen Ihr Kommentar zu schätzen – schreiben Sie uns per eMail: info@vent-axia.com

Die Vent-Axia-Garantie

Gilt nur für im Vereinigten Königreich installierte und benutzte Produkte. Angaben über die außerhalb des Vereinigten Königreichs geltende Garantie erfragen Sie bitte bei Ihrem Vent-Axia-Vertriebspartner.

Vent-Axia garantiert dieses Produkt für zwei Jahre ab dem Kaufdatum gegen Material- und Herstellungsfehler. Sollte festgestellt werden, dass ein Teil des Produkts defekt ist, wird das Produkt repariert oder nach Ermessen von Vent-Axia kostenlos ersetzt, sofern folgende Bedingungen erfüllt sind:

- 1). Das Produkt wurde gemäß der mit jeder Einheit mitgelieferten Anleitung installiert und benutzt.
- 2). Die Stromversorgung entspricht den Angaben auf dem Typenschild.
- 3). Das Produkt wurde nicht unsachgemäß gebraucht, vernachlässigt oder beschädigt.
- 4). Das Produkt wurde nicht von einer Person ohne entsprechende Ermächtigung von Vent-Axia geändert oder repariert.

BEI EINEM ANSPRUCH IM RAHMEN DER GARANTIEBEDINGUNGEN

Bitte senden Sie das komplette Produkt frachtfrei per Post oder persönlich an Ihren ursprünglichen Lieferer zurück. Bitte stellen Sie sicher, dass es ausreichend verpackt ist und von einem Schreiben begleitet wird, das deutlich mit „Garantie Claim“ (Garantieanspruch) gekennzeichnet ist. Geben Sie in diesem Schreiben das Problem an und senden Sie einen Beleg für das Kaufdatum und die Bezugsquelle.

Im Rahmen unserer Unternehmenspolitik der kontinuierlichen Produktverbesserung behält sich Vent-Axia Spezifikationsänderungen vor.

Installatie- en Bedradingsrichtlijnen voor de SOLO Plus SELV Badkamer Extractieventilator.



**BELANGRIJK:
LEES DEZE RICHTLIJNEN
VOORALEER U BEGINT MET DE
INSTALLATIE**

Installeer dit product NIET op plaatsen waar het volgende kan aanwezig zijn of voor komen:

- Een atmosfeer die overdadig met olie of vet is overladen.
- Corrosieve of ontvlambare gassen, vloeistoffen of dampen.
- Temperaturen van de omgeving hoger dan 40°C of lager dan -5°C.
- Mogelijke hindernissen die de toegang tot, of de verwijdering van de ventilator zouden beletten.

OPMERKINGEN VOOR VEILIGHEID EN ADVIES

- A. Alle bedrading moet in overeenstemming zijn met de huidige I.E.E.-reglementeringen, of met de betreffende normen van uw land en ze **MOET** geïnstalleerd worden door een naar behoren gekwalificeerd persoon.
- B. De elektriciteitstoevoer naar deze ventilator is 24v DC SELV van de transformator/controller. Dit betekent dat de ventilator mag worden geïnstalleerd binnen het bereik van een persoon die gebruik maakt van een vast bad of een douche, meer bepaald in een nabije muur of een nabij venster. De ventilator mag echter niet worden geplaatst waar hij zou kunnen worden ondergedompeld in water of regelmatig blootgesteld aan directe besproeiing met water, bv. van een douchekop, om het even of hij permanent is bevestigd of verplaatsbaar is.
- C. **SLUIT ALLEEN DE PRODUCTEN VAN HET SOLO PLUS SELV –GAMMA AAN DAAR DE VENTILATOREN SPECIAAL WERDEN ONTWORPEN OM TE WERKEN OP 24v DC EN DAAR ZIJ NIET COMPATIBEL ZIJN MET ANDERE VENT-AXIA CONTROLLERS. SLUIT NIET MEER DAN EEN VENTILATOR OP DE CONTROLLER AAN.**
- D. De controller mag niet worden geïnstalleerd in een douchecel of een afgescheiden deel; Hij moet verwijderd zijn van directe bronnen van watersproeiing en buiten het bereik van een persoon die gebruik maakt van een vast bad of een vaste douche. Plaats hem uit de buurt van warmtebronnen.
- E. De controller heeft vrije luchtcirculatie nodig en mag niet worden bedekt met een of ander isolatiemateriaal als kan voorkomen in een plafond- of zolderingholte.
- F. De ventilator moet voorzien zijn met een lokale isolatorschakelaar die in staat is om alle polen af te koppelen, daar hij beschikt over een contactscheiding van tenminste 3mm.
- G. Vergewis er u van dat de stroomtoevoer (voltage, frequentie en fase) overeenstemt met de metingstabel.
- H. De ventilator mag enkel maar samen worden gebruikt met de aangepaste producten van Vent-Axia.
- I. Het valt aan te bevelen dat de verbinding met de connectorterminals van de ventilator gebeurt met buigzame kabel.
- J. Wanneer de ventilator wordt gebruikt om lucht te verwijderen uit een kamer met een toestel dat brandstof verbrandt, zorg er dan voor dat de luchtverversing aangepast is voor zowel de ventilator als voor het brandstof verbrandende toestel.
- K. Waar er ventilatoren met kanalen worden gebruikt om vochtige lucht te behandelen, moet er een condensatieopvang worden geïnstalleerd. Horizontale kanalen moeten zo worden gelegd dat ze lichtjes naar beneden aflopen, weg van de ventilator
- L. Dit toestel is niet bedoeld om gebruikt te worden door jonge kinderen of zwakke personen zonder toezicht.
- M. Er moet toezicht zijn op jonge kinderen om te beletten dat ze spelen met het toestel.

BESCHRIJVING

Standaardmatig is de SOLO Plus geschikt voor paneel-/muurinstallaties, verzonken of oppervlaktemontage, ofwel in horizontale of verticale positie. Er kan 100 mm kanaal (buigbaar of recht) worden aangehecht onder gebruikmaking van een aanpasbare spon die opties voor uitgangen achteraan en opzij biedt. Adaptoren voor de kanaliseringssystemen 25 en 50 kunnen worden gebruikt samen met de aanpasbare spon. Voor muurinstallaties kan een muurkit (25 41 02 wit / 25 41 00 bruin) worden gebruikt. Zie onze catalogus of website (www.vent-axia.com) voor verdere informatie over systeem 25/50 en voor alternatieve kanalisering- en beëindigingsopties.

A. INSTALLATIE

SELV CONTROLLER

De controller kan zowel aan de oppervlakte of verzonken worden gemonteerd door middel van de meegeleverde oppervlaktemontagebox of de standaard montagebox. Bemerk dat de bevestigingsschroeven moeten worden vervangen door schroeven die geschikt zijn voor het type van gebruikte montagebox.

PANEELMONTAGE (Oppervlakte)

1. Snij een gat van 105 mm Ø doorheen het paneel, waarbij u verzekert dat er voldoende ruimte is voor de installatie van het product en dat de filter kan worden verwijderd voor het onderhoud.
2. Het verwijderen van de voorste assemblage [A]. Verwijder eerst de filter [B] (*fig. 2.*) door te drukken op de clips en door te trekken. Steek een schroevendraaier met een klein blad in de gleuven zoals wordt getoond in figuur 3 en druk zachtjes om de assemblage los te maken. Til de voorste assemblage traagjes van de onderkant, waarbij u verzekert dat de sensorkabel (enkel het TM-model) die is bevestigd aan de voorste assemblage en aan de onderste behuizing [C] (*fig. 3/4/11.*) niet wordt beschadigd. **BELANGRIJK: De kabel voor de PIR-sensor (enkel het TM-model) is niet aangesloten bij levering, maar kan worden verwijderd door voorzichtig de clips los te maken van het kabelhoofd van de voorste assemblage [A].**
3. Verwijder de sponring [G] van de binnenuit het karton en clip de sponadapter [E] over waarbij u ervoor zorgt dat de lip op de sponring stevig vastzit in de groef op de sponadapter (*fig. 6.*). Zorg ervoor dat de sponadapter vastzit op de onderste behuizing en dat de sluiters nog stevig vast zit en volledig functioneel is.
4. Stel de geschikte snelheidskeuze in en andere eigenschappen zoals aangegeven in **Deel B INSTELLING.**
5. Bevestig de kanalisering aan de spon en plaats haar in het gat in het paneel waarbij u ervoor zorgt dat de ommanteling [H] correct in de onderste behuizing is geplaatst. Zet ze stevig vast op haar plaats met de juiste spanklemmen (*fig. 7.*).
6. Zorg ervoor dat de rotor vrij draait.
7. Selecteer en volg het geschikte bedradingschema in **Deel C BEDRADING.**
8. Vervang de voorste assemblage waarbij u verzekert dat de PIR-sensorkabel (enkel het TM-model) wordt heraangesloten op de PIR-sensor PCB (*fig. 11.*).
9. Schakel de stroomtoevoer aan en controleer of de ventilator correct werkt.
BELANGRIJK: Bemerkt dat de T en HT een schakelaar met vertraging omvatten, die de ventilator zal starten na 2 minuten voor de ingestelde timeout-periode. De vertraging wordt enkel geactiveerd via de LS en niet via het trektoew of de vochtigheidssensor (wanneer van toepassing). Wanneer de LS wordt uitgeschakeld gedurende 2 minuten zal de ventilator uit blijven.

PANEELMONTAGE (Verzonken)

1. Markeer en snij een rechthoekig gat (190mm x 240mm) doorheen het paneel waarbij u het achterblad gebruikt als mal, waarbij u ervoor zorgt dat er voldoende ruimte is voor de installatie van het product en dat de filter kan worden verwijderd voor het onderhoud. **BELANGRIJK:** Zorg ervoor dat u dwarsbalken en verborgen kabels vermijdt.
2. Het verwijderen van de voorste assemblage [A]. Verwijder eerst de filter [B] (*fig. 2.*) door te drukken op de clips en door te trekken. Steek een schroevendraaier met een klein blad in de gleuven zoals wordt getoond in figuur 3 en druk zachtjes om de assemblage los te maken. Til de voorste assemblage traagjes van de onderkant, waarbij u verzekert dat de sensorkabel (enkel het TM-model) die is bevestigd aan de voorste assemblage en aan de onderste behuizing [C] (*fig. 3/4/11.*) niet wordt beschadigd. **BELANGRIJK: De kabel voor de PIR-sensor (enkel het TM-model) is niet aangesloten bij levering, maar kan worden verwijderd door voorzichtig de clips los te maken van het kabelhoofd van de voorste assemblage.**
3. Verwijder de sponring [G] van de binnenuit het karton en clip de sponadapter [E] over waarbij u ervoor zorgt dat de lip op de sponring stevig vastzit in de groef op de sponadapter (*fig. 6.*). De spon kan worden geherpositioneerd voor installaties met uitgang aan de zijkant door de schroef te verwijderen en de spon weg te schuiven van de onderste behuizing, waarbij u zorg draagt voor de geleidingrails (*fig. 8.*). De spon kan dan worden rondgedraaid en geherpositioneerd voor gebruik met zijdelingse uitgang waarbij u dezelfde geleidingsrails en borgschroef gebruikt (*fig. 9.*). Zorg ervoor dat de sponadapter vastzit op de onderste behuizing in de vereiste richting en dat de sluiters nog stevig vast zit en volledig functioneel is.
4. Verwijder de ommanteling en breng de meegeleverde schroef aan doorheen de flens van de onderste behuizing. Bevestig vervolgens de meegeleverde paneelclips [F] (*fig. 10.*) waarbij u voldoende ruimte laat tussen de clip en de flens voor de dikte van het paneel (zodat de clips kunnen opspringen achter het paneel).
5. Stel de geschikte snelheidskeuze in en andere eigenschappen zoals aangegeven in **Deel B INSTELLING.**
6. Bevestig de kanalisering aan de spon en plaats ze in het gat in het paneel, waarbij u verzekert dat de kabel wordt doorgegeven in de onderste behuizing en dat de paneelclips uitspringen achter het paneel.
7. Bevestig in deze positie door zorgvuldig de paneelclips vast te zetten. Het kan nodig zijn om het product centraal in het gat te houden bij het vastzetten, zodat er geen tussenruimten zichtbaar zijn wanneer het deksel erop staat. **BELANGRIJK: Wanneer er elektrische gereedschappen worden gebruikt, stel ze dan in op de minimum koppelinstelling of gebruik bij voorkeur een manuele schroevendraaier. Span niet te hard aan.**
8. Zorg ervoor dat de rotor vrij draait.
9. Selecteer en volg het geschikte bedradingschema in **Deel C BEDRADING.**
10. Vervang de voorste assemblage waarbij u verzekert dat de PIR-sensorkabel (enkel het TM-model) wordt heraangesloten op de PIR-sensor PCB (*fig. 11.*).
11. Schakel de stroomtoevoer aan en controleer of de ventilator correct werkt.

BELANGRIJK: Bemerkt dat de T en HT een schakelaar met vertraging omvatten, die de ventilator zal starten na 2 minuten voor de ingestelde timeout-periode. De vertraging wordt enkel geactiveerd via de LS en niet via het trektoew of de vochtigheidssensor (wanneer van toepassing). Wanneer de LS wordt uitgeschakeld gedurende 2 minuten zal de ventilator uit blijven.

MUURMONTAGE (Oppervlakte) Voor muurinstallaties kan een muurkit (25 41 02 wit / 25 41 00 bruin) worden gebruikt.

1. Snij een gat van 115mm Ø doorheen de muur, waarbij u verzekert dat er voldoende ruimte is voor de installatie van het product en dat de filter kan worden verwijderd voor het onderhoud.
2. Steek de muurhuls met de grootste diameterhuls in aan de kamerkant en metsel de beide uiteinden effen met de muropervlakken vast in hun positie. De muurhuls moet in een hoek naar beneden worden aangebracht, weg van de ventilator om de condensatie af te laten naar de buitenste muur.
3. Rooster aan de buitenkant: Gebruik de achterplaat als mal; markeer de middelpunten van de bevestigingsgaten op de muur. Boor in de muur, breng pluggen aan en bevestig de achterplaat op haar positie.
4. Bevestig het buitenkantrooster op de achterplaat (schroeven meegeleverd). Zorg ervoor dat de ventilatiejaloezies naar beneden wijzen.
5. Het verwijderen van de voorste assemblage [A]. Verwijder eerst de filter [B] (fig. 2.) door te drukken op de clips en door te trekken. Steek een schroevendraaier met een klein blad in de gleuven zoals wordt getoond in figuur 3 en druk zachtjes om de assemblage los te maken. Til de voorste assemblage traagjes van de onderkant, waarbij u verzekert dat de sensorkabel (enkel het TM-model) die is bevestigd aan de voorste assemblage en aan de onderste behuizing [C] (fig. 3/4/11.) niet wordt beschadigd. **BELANGRIJK: De kabel voor de PIR-sensor (enkel het TM-model) is niet aangesloten bij levering, maar kan worden verwijderd door voorzichtig de clips los te maken van het kabelhoofd van de voorste assemblage.**
6. Verwijder de sponring [G] van de binnenuit het karton en clip de sponadapter [E] over waarbij u ervoor zorgt dat de lip op de sponring stevig vastzit in de groef op de sponadapter (fig. 6.). Zorg ervoor dat de sponadapter vastzit op de onderste behuizing en dat de sluiters nog stevig vast zit en volledig functioneel is.
7. Stel de geschikte snelheidskeuze in en andere eigenschappen zoals aangegeven in **Deel B INSTELLING**.
8. Markeer de middelpunten van de bevestigingsgaten op de muur terwijl u het achterblad of de onderste behuizing [C] als mal gebruikt, waarbij u voorzichtig de spon in de muurinlegger schuift. Bevestig de onderste behuizing op haar positie onder gebruikmaking van de meegeleverde schroeven en bevestigingen waarbij u verzekert dat de ommanteling [H] correct op de onderste behuizing is geplaatst (fig. 7.).
9. Zorg ervoor dat de rotor vrij draait.
10. Selecteer en volg het geschikte bedradingschema in **Deel C BEDRADING**.
11. Vervang de voorste assemblage waarbij u verzekert dat de PIR-sensorkabel (enkel het TM-model) wordt herangesloten op de PIR-sensor PCB (fig. 11.).
12. Schakel de stroomtoevoer aan en controleer of de ventilator correct werkt.
BELANGRIJK: Bemerkt dat de T en HT een schakelaar met vertraging omvatten, die de ventilator zal starten na 2 minuten voor de ingestelde timeout-periode. De vertraging wordt enkel geactiveerd via de LS en niet via het trektoew of de vochtigheidssensor (wanneer van toepassing). Wanneer de LS wordt uitgeschakeld gedurende 2 minuten zal de ventilator uit blijven.

B. INSTELLING



WAARSCHUWING: DE VENTILATOR EN DE HULPCONTROLE-UITRUSTING MOETEN WORDEN GEÏSOLEERD VAN DE STROOMTOEVOER TIJDENS DE INSTALLATIE / OF HET ONDERHOUD.

1. HET SELECTEREN VAN DE CONSTANTE DOORBLAASOPTIE

Verbind de doorblaas jumper [TR] (fig. 12.) door middel van het meegeleverde jumperhoofd om constante doorblazing te selecteren. De optie voor de doorblaassnelheid is in de fabriek in de off positie geplaatst (jumper open).

2. HET SELECTEREN VAN DE SNELHEID

Dit zal de snelheid bepalen waartegen de ventilator zal draaien wanneer hij wordt geactiveerd door ofwel de trekkoord/LS lijn/vochtigheid/PIR.

De snelheid is in de fabriek ingesteld op 68m³/u.

1. Draai de snelheidsadjuster [S] IN WIJZERZIN om de snelheid te VERHOGEN tot een maximum van 90m³/h (fig. 13.).
2. Draai de snelheidsadjuster [S] IN TEGENWIJZERZIN om de snelheid te VERLAGEN tot een minimum van 68m³/h (fig. 13.)

3. AANPASSING VAN DE TIMER (Modellen T, HT en TM)

De overschrijdingstijdsperiode is in de fabriek ingesteld op 15 minuten. De overschrijdingstijdsperiode kan worden aangepast van 5 tot 30 minuten door de justeerder op de PCB-besturing te wijzigen (fig. 13.).

- i. Om de werkingstijd te REDUCEREN draait u de justeerder [T] IN TEGENWIJZERZIN.
- ii. Om de werkingstijd te VERLENGEN draait u de justeerder [T] IN WIJZERZIN.

BELANGRIJK - VERTRAGINGSTIMER: de timerfunctie op de T en HT omvat tevens ook een **schakelaar op vertraging**, die de ventilator zal starten na 1-4 minuten en dit voor de ingestelde timeout periode. De vertraging wordt enkel geactiveerd via de LS en niet via het trektoew of de vochtigheidssensor (wanneer van toepassing). Wanneer de LS is uitgeschakeld tijdens de periode van 1-4 minuten, zal de ventilator uit blijven.

4. AANPASSING AAN DE VOCHTIGHEID (Model HT)

Het instelpunt van de vochtigheid van de ventilator werd in de fabriek ingesteld om de ventilator in te schakelen op 72% RV (fig. 13.).

- i. Om het instelpunt te VERLAGEN draait u de vochtigheidsjusteerder [RV] IN TEGENWIJZERZIN. Dit maakt de ventilator gevoeliger voor het % RV, m.a.w. de ventilator zal starten bij een lager % van RV.
- ii. Om het instelpunt te VERHOGEN draait u de vochtigheidsjusteerder [RV] IN WIJZERZIN. Dit maakt de ventilator minder gevoelig voor het % RV, m.a.w. de ventilator zal starten bij een hoger % van RV.

C. BEDRADING.



WAARSCHUWING: DE VENTILATOR EN DE HULPCONTROLE-UITRUSTING MOETEN WORDEN GEÏSOLEERD VAN DE STROOMTOEVOER TIJDENS DE INSTALLATIE / OF HET ONDERHOUD.
Gebruik kabel van 0,75mm²

1. Selecteer en volg het gepaste bedradingsschema (fig. 14-15.).
2. Het kan nodig zijn de stroomkabel rond te leiden tussen de buitenkant van de onderste behuizing [C] en de ommanteling [H] om te vermijden dat de kabel vast raakt.
3. Controleer of alle aansluitingen correct werden gemaakt en verzeker dat alle aansluitingen op de terminal en alle kabelklemmen goed zijn vastgemaakt.
4. Zorg ervoor dat de rotor draait en dat hij geen hindernissen heeft.

D. REPARATIE EN ONDERHOUD.



WAARSCHUWING: DE VENTILATOR EN DE HULPCONTROLE-UITRUSTING MOETEN GEÏSOLEERD ZIJN VAN DE STROOMTOEVOER TIJDENS HET ONDERHOUD.

1. Bij tussenpozen die geschikt zijn voor de installatie moet de ventilator worden gecontroleerd en schoongemaakt om te verzekeren dat er geen aankorsting is van vuil of andere afzettingen.
2. Verwijder de filter [B] (fig. 2.) en was hem in warm zeepsop.
3. Wrijf de inlaatopeningen en de voorkant schoon met een vochtige doek.
4. Vervang de filter.

De ventilator beschikt over levenslang dichte lagers die niet hoeven te worden gesmeerd.

VENT-AXIA VERKOOPSCENTRA

UK NATIONAL CALL CENTRE

Newton Road, Crawley
West Sussex
RH10 9JA

Sales

Telephone: 01293 441520
Fax: 01293 539209

Technical Support

Telephone: 01293 526062
Fax: 01293 539209

Vond u deze richtlijnen makkelijk te gebruiken?

We appreciëren uw commentaar. Contacteer ons via : E-mail: info@vent-axia.com

De Vent-Axia Garantie

Enkel van toepassing op producten die in het Verenigd Koninkrijk werden geïnstalleerd en worden gebruikt. Voor details over de Garantie buiten het Verenigd Koninkrijk, neem contact op met uw plaatselijke verdeler.

Vent-Axia geeft een garantie van twee jaar op dit product vanaf de aankoopdatum en dit voor gebreken op gebied van materiaal of vakmanschap. Wanneer een onderdeel defect is, wordt het product hersteld, of wordt het wanneer de Onderneming dit beslist, vervangen op haar eigen kosten, op voorwaarde dat het product:

1. Werd geïnstalleerd en gebruikt overeenkomstig de instructie die bij elke eenheid werd geleverd.
2. De elektriciteitstoevoer overeenstemt met het classificatie-etiket.
3. Niet verkeerd werd gebruikt, verwaarloosd of beschadigd.
4. Niet werd gewijzigd of hersteld door gelijk welke persoon die daarvoor van Vent-Axia niet de toestemming had.

INDIEN EEN VORDERING WORDT INGEDIEND KRACHTENS DE BEPALINGEN VAN DE GARANTIE

Stuur het volledige product franco terug naar de originele leverancier per post of bezorg het hem persoonlijk. Zorg ervoor dat het behoorlijk is verpakt en vergezeld van een brief met de duidelijke vermelding 'Garantie-vordering', waarin de aard van het defect wordt omschreven. Ook moet het bewijs worden geleverd van de datum en de plaats van aankoop.

Als onderdeel van de politiek van voortdurende productverbetering behoudt Vent-Axia zich het recht voor om specificaties te wijzigen zonder voorafgaandelijke kennisgeving

Fig. 1.
Abb. 1.

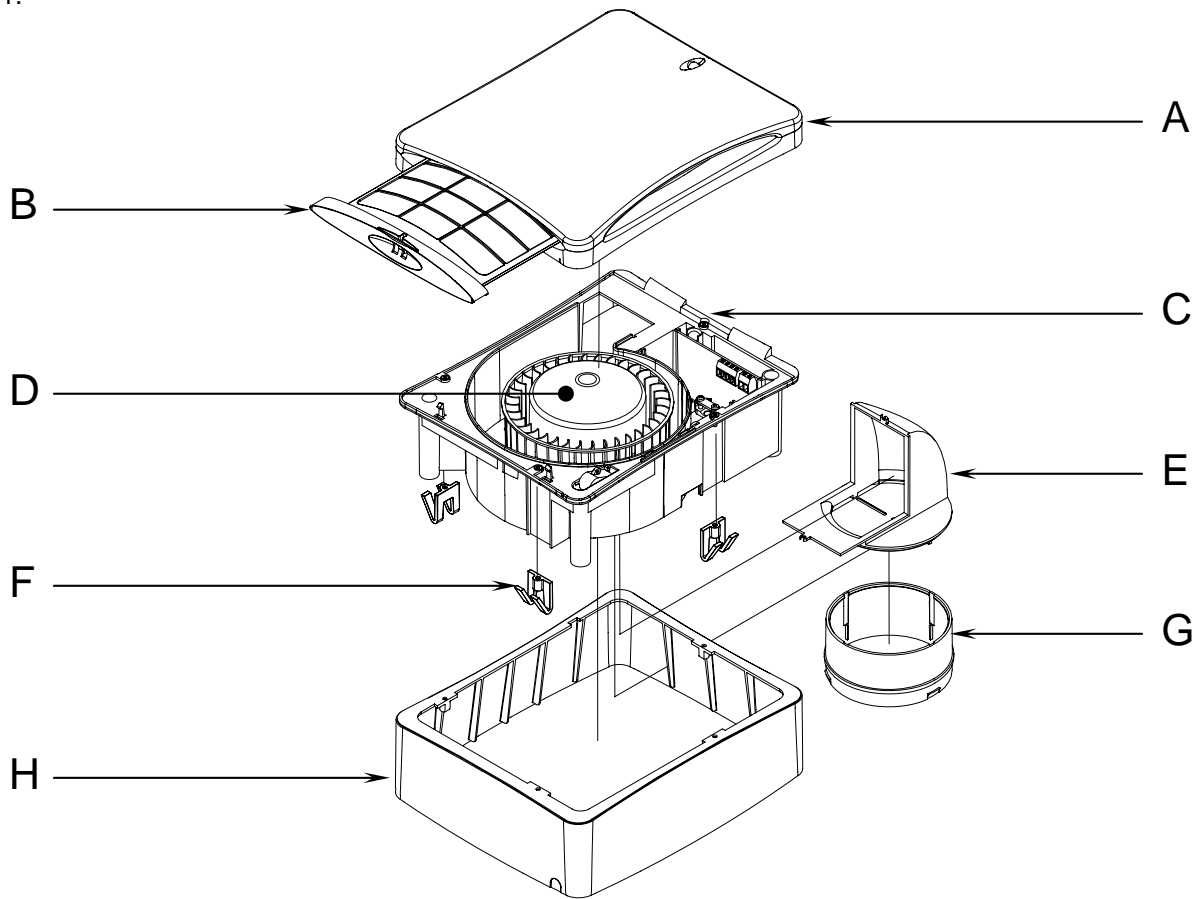


Fig. 2.
Abb. 2.

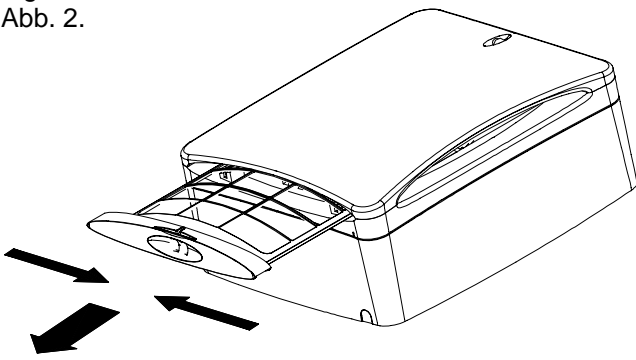


Fig. 3.
Abb. 3.

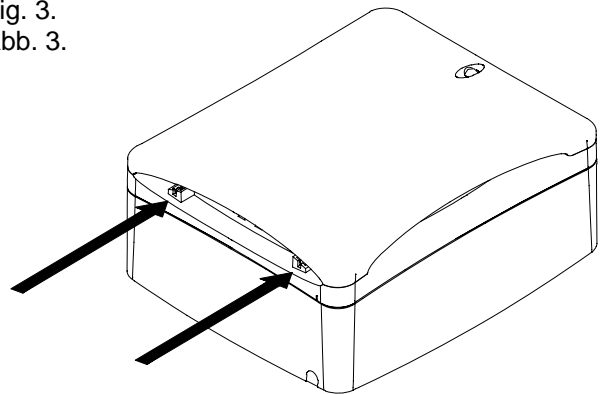


Fig. 4.
Abb. 4.

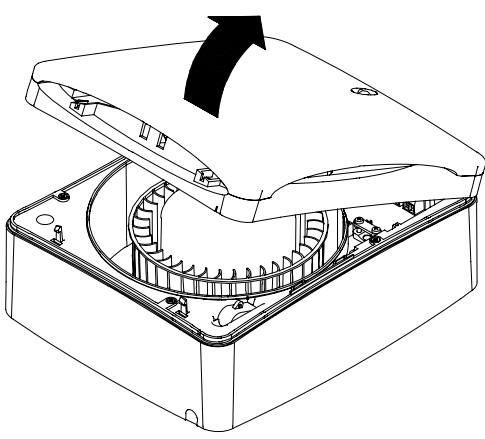


Fig. 6.
Abb. 6.

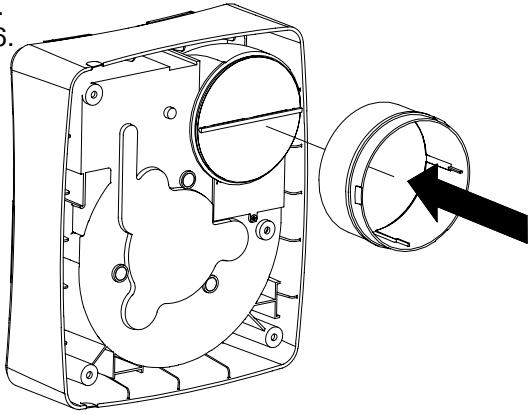


Fig. 7.
Abb. 7.

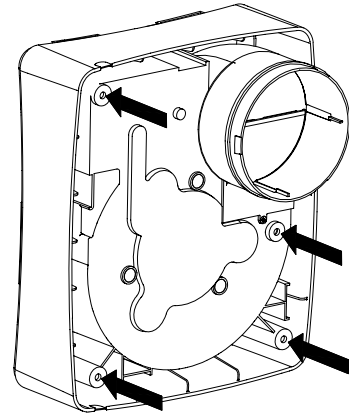


Fig. 8.
Abb. 8.

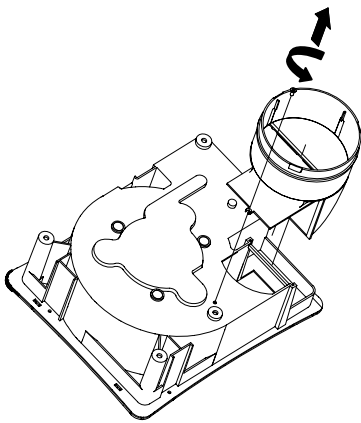


Fig. 9.
Abb. 9.

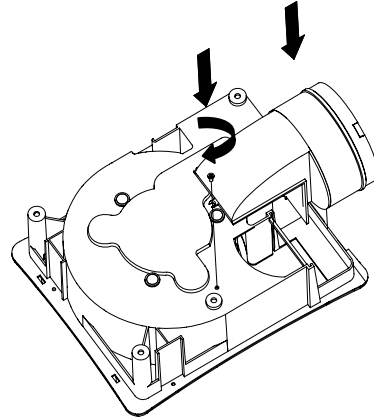


Fig. 10.
Abb. 10.

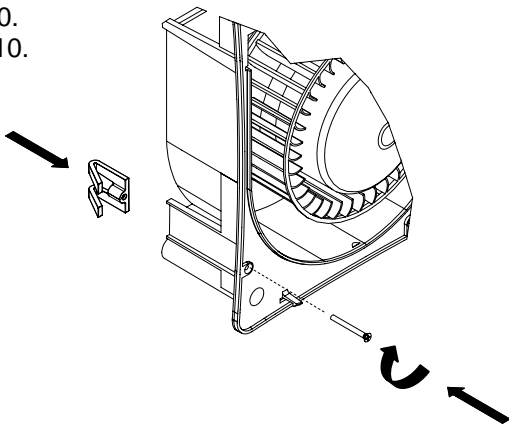


Fig. 11. (TM only/TM uniquement/nur TM/Enkel TM)
Abb. 11.

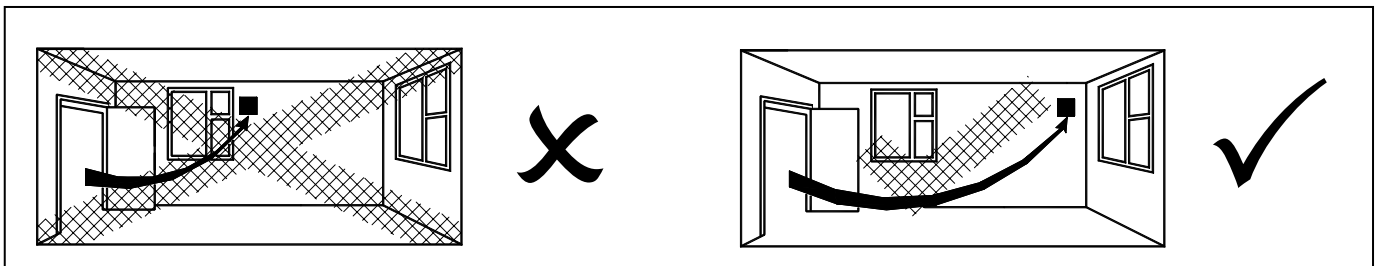
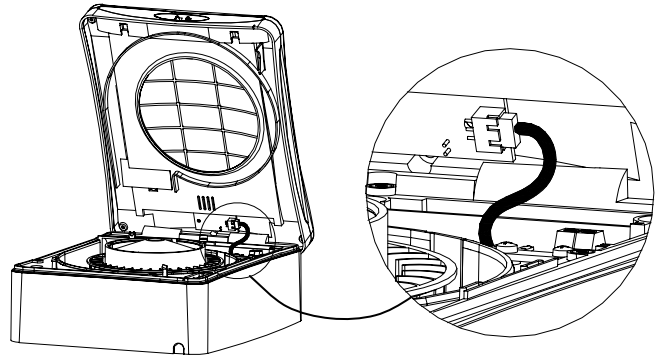
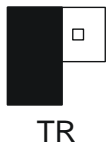


Fig. 12.
Abb. 12.



Trickle not selected/Mode lent constant non sélectionné/
Dauerlüftung nicht ausgewählt/
doorblazing niet geselecteerd



Trickle selected/Mode lent constant sélectionné/
Dauerlüftung ausgewählt/
doorblazing geselecteerd

Fig. 13.
Abb.13.

S → 68-90 m3/h
T → 5-30min
RH → 65-90%RH
TR → I/O (fig/abb. 12)

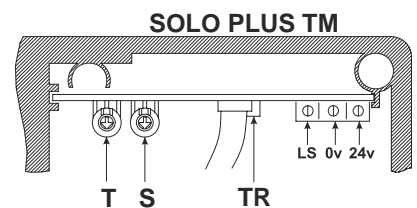
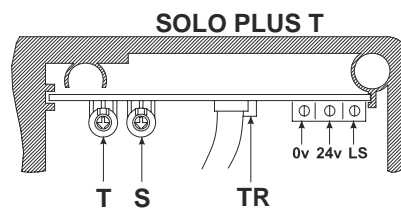
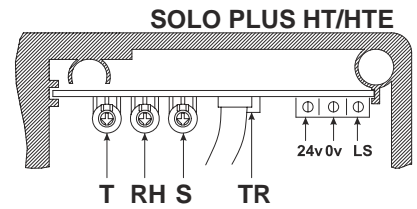
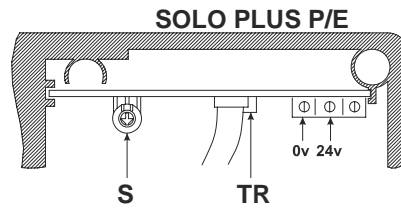


Fig. 14. **Solo Plus SELV P/TM/E**
Abb. 14.

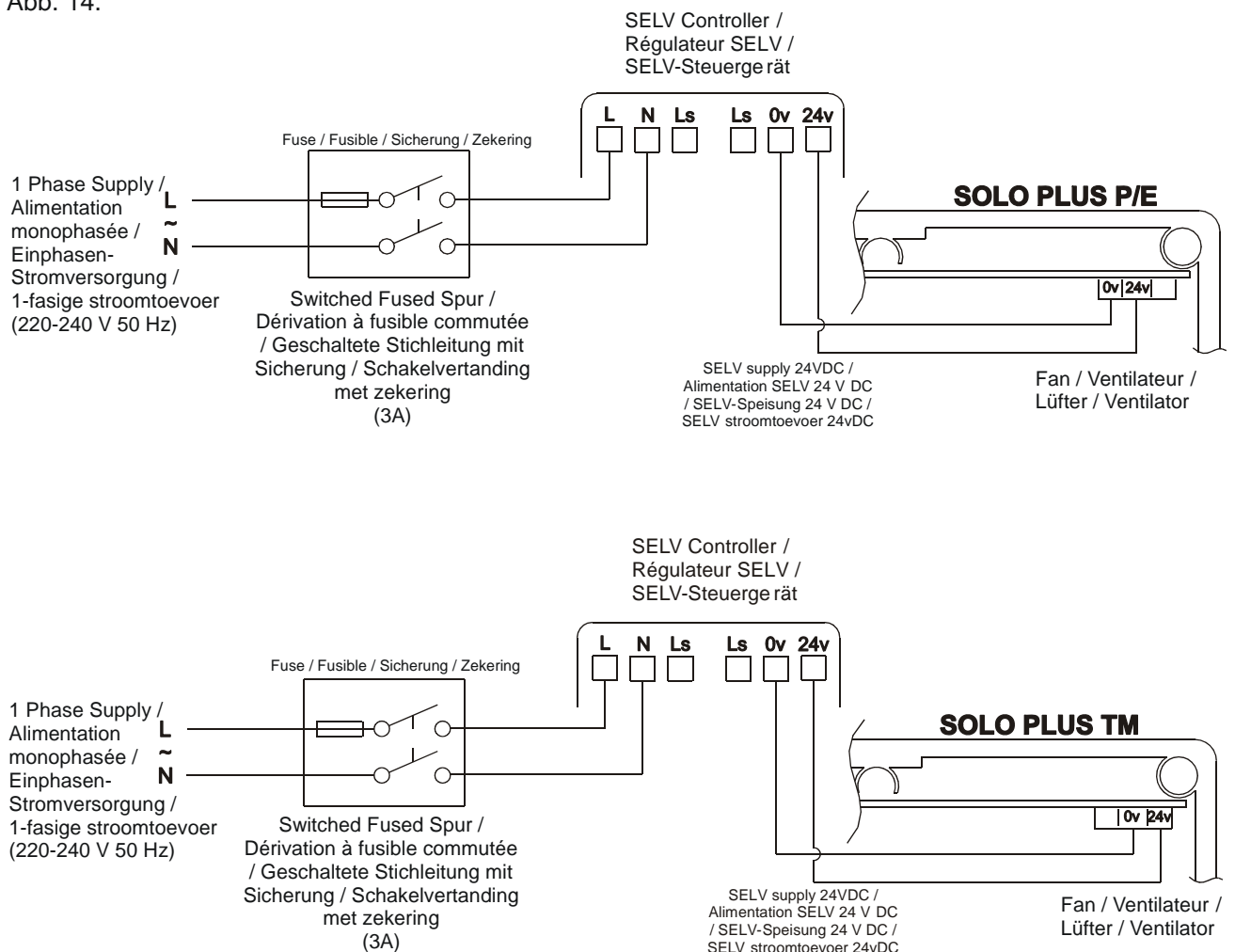
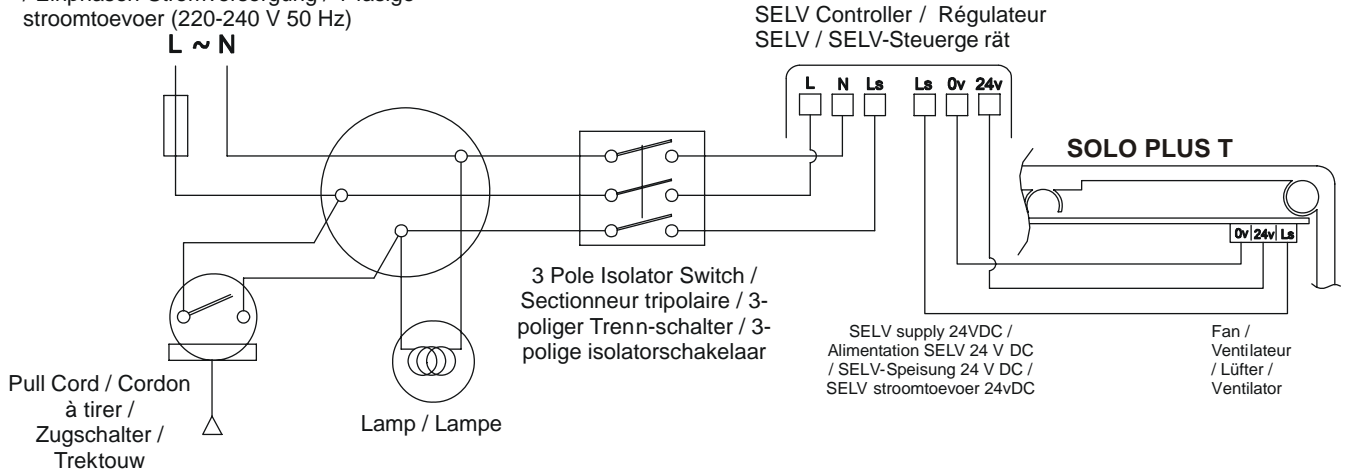
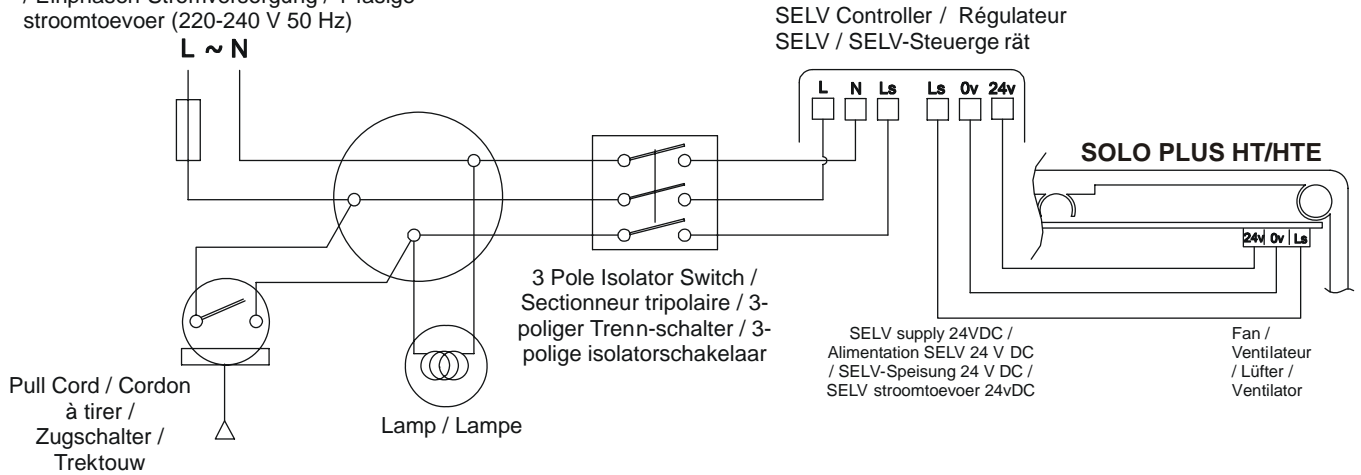


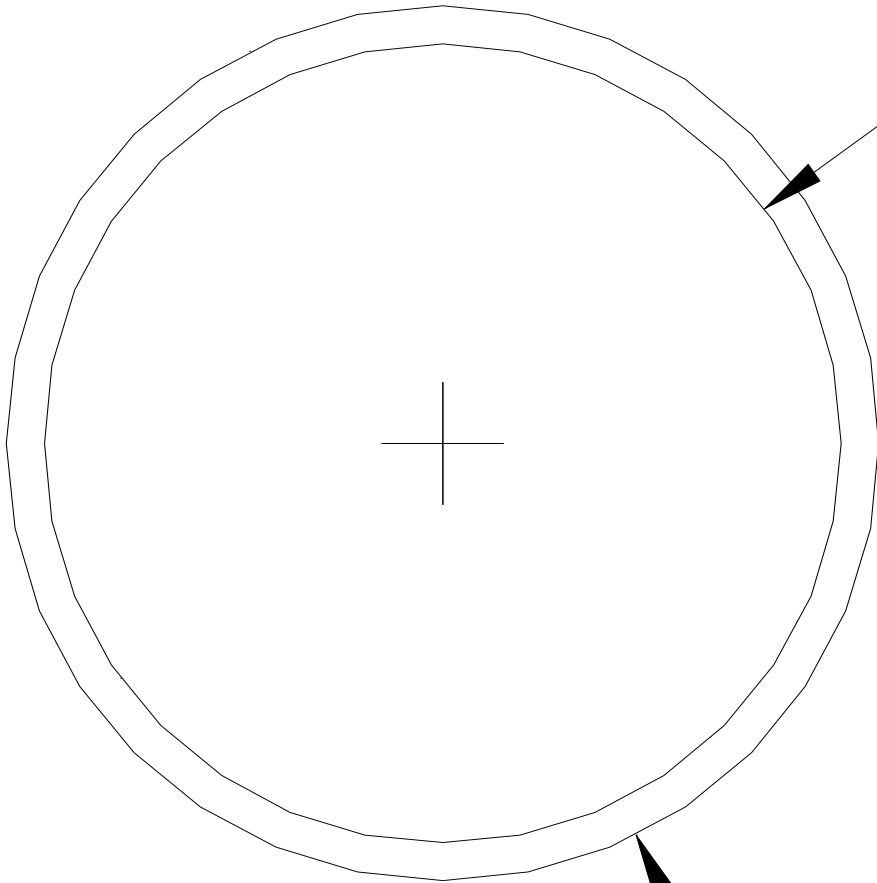
Fig. 15. Solo Plus SELV T/HT
 Abb. 15.

1 Phase Supply / Alimentation monophasée
 / Einphasen-Stromversorgung / 1-fasige
 stroomtoevoer (220-240 V 50 Hz)



1 Phase Supply / Alimentation monophasée
 / Einphasen-Stromversorgung / 1-fasige
 stroomtoevoer (220-240 V 50 Hz)





Ø105mm

PANEL MOUNTING (Surface)
MONTAGE SUR PANNEAU (surface)
PLATTENEINBAU (Aufputzmontage)
PANEELMONTAGE (Oppervlakte)

Ø115mm

WALL MOUNTING (Surface)
MONTAGE MURAL (surface)
WANDEINBAU (Aufputzmontage)
MUURMONTAGE (Oppervlakte)



PANEL MOUNTING (Flush)
MONTAGE SUR PANNEAU (affleurant)
PLATTENEINBAU (Unterputzmontage)
PANEELMONTAGE (Verzonken)

240mm

190mm

Vent-Axia[®]

Head Office: Fleming Way, Crawley, West Sussex RH10 9YX
Tel: 01293 526062 Fax: 01293 551188
Internet site at: www.vent-axia.com