

# JUPITER FANS

## Installation and Wiring Instructions



Models	Ref No.
JUPITER315	457485A
JUPITER315CTS	457486A
JUPITER400	457487A
JUPITER400CTS	457488A

220-240V~50Hz

***Vent-Axia***<sup>®</sup>

PLEASE READ INSTRUCTIONS IN CONJUNCTION WITH THE ILLUSTRATIONS.  
PLEASE SAVE THESE INSTRUCTIONS

CE

**READ AND SAVE THESE INSTRUCTIONS*****PLEASE READ ALL INSTRUCTIONS CAREFULLY BEFORE STARTING  
INSTALLATION***

Air moving equipment may present mechanical, electrical or noise hazards. To minimise risks associated with these potential hazards, it is essential that safety, installation, operation and maintenance instructions are followed. Implementation of these instructions should always be undertaken by technically competent personnel.

Installation work, both mechanical and electrical, must be undertaken in accordance with the safety and installation instructions before switching on the unit.

Maintenance work should not be attempted before switching off and isolating the fan and its control from the electrical supply and ensuring that it cannot be accidentally turned back on again. It is essential to ensure that rotating parts have come completely to rest before maintenance work commences.

All fans generate noise during operation. Dependant on the installation, sound attenuators or other acoustic treatment may be necessary to achieve acceptable noise levels in the ventilation area or the area surrounding the fan installation.

**IMPORTANT**

1. All electrical connections should be made by a properly qualified electrician. The fan must be sited and connected in accordance with current IEE Wiring Regulations, BS7671 (U.K.) or the appropriate standards in your country.
2. DO NOT use this appliance when the following are generated or present: Excessive grease or oil laden air, corrosive or flammable atmospheres.
3. When the fan is installed in a room containing a fuel burning appliance, the installer must ensure that the air replacement is adequate for both the fan and the fuel burning appliance.
4. Site away from direct sources of heat, ambient temperature range 0° to 70°C.
5. When installing unit, take care not to damage electrical or other hidden utilities.
6. Check the details on the rating label for correct voltage & frequency.
7. It is the responsibility of the installer to ensure that all aspects of system design are taken into consideration.
8. Due to the weight of the unit it is recommended that two persons are involved in the installation.

**STORAGE/INSTALLATION**

If the unit is to be stored for a long period of time the fan impeller must be rotated by hand at monthly intervals to prevent hardening of the lubricant and corrosion or static indentation of the bearings.

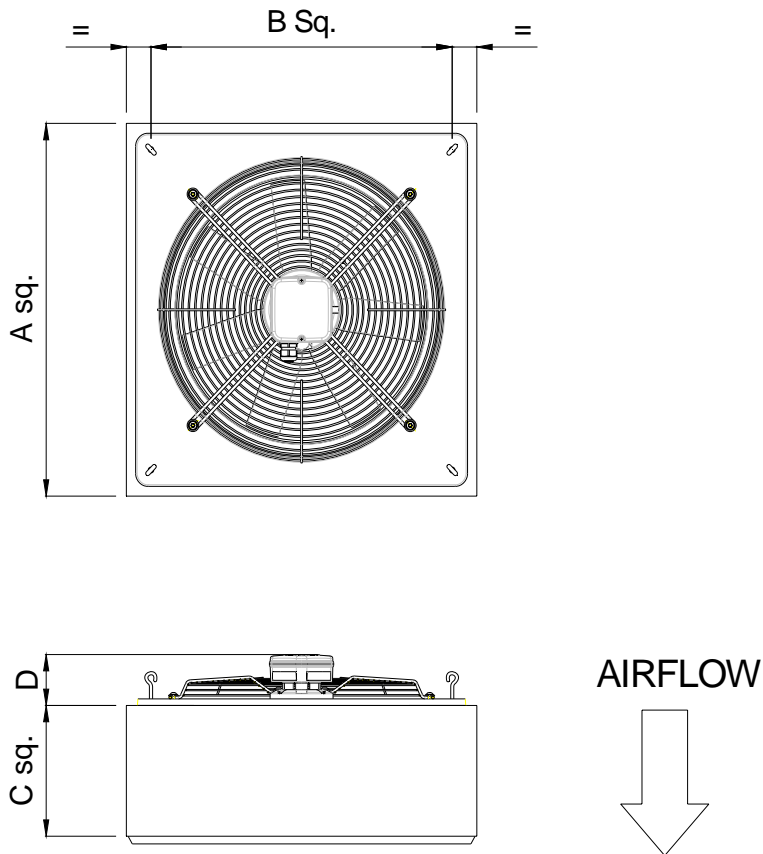
Each unit is supplied with 4-off eye bolts for hanging, as standard.

A range of accessories is available from Vent-Axia Limited for this product.

**MOUNTING**

Jupiter units are typically installed at high level. We recommend that the suspension kit 457490 is used. This consists of 4 lengths of chain and hook sections. The hooks should be positioned into the 4-off eye bolts before fixing in place.

## DIMENSIONS



Size	A	B	C	D	Approx. Weight (kg)
315	500	380	200	84	11
400	620	490	200	93	16

## GENERAL WIRING INSTRUCTIONS

**WARNING** - ISOLATE MAINS SUPPLY BEFORE MAKING CONNECTIONS - THIS EQUIPMENT MUST BE EARTHED

*All electrical connections should be made by a properly qualified electrician.*

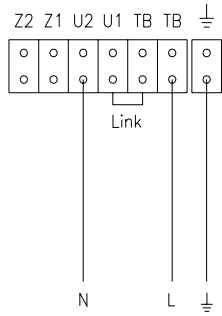
**IMPORTANT NOTE:** The electrical circuit must be protected with an all pole isolator having a minimum of 3mm contact separation with suitable fuses or circuit breaker.

Remove the cover from the fan terminal box. Connect the power supply from the local isolator (via any appropriate controls, if fitted) to the terminal box via an appropriate cable gland. Refer to the wiring diagrams and select the appropriate connections for the fan, controller or other devices as being installed. Ensure that all earth connections have been made.

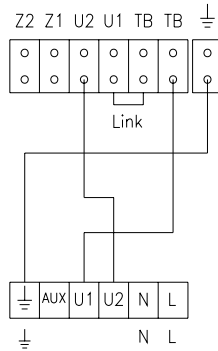
After completing and checking the connections to the terminal box, replace the terminal box lid ensuring that the gasket is correctly seated in place. Ensure that all cable gland / grommet fixings and terminal box lid fixings are tightened correctly to prevent water ingress.

All fans are fitted with thermal protection (TP). If the thermal protection device operates you **MUST** check for the cause before allowing the fan to resume operation. Failure to do so may cause damage to the motor and invalidate the guarantee.

## WIRING DETAIL – JUPITER 315 & JUPITER 400

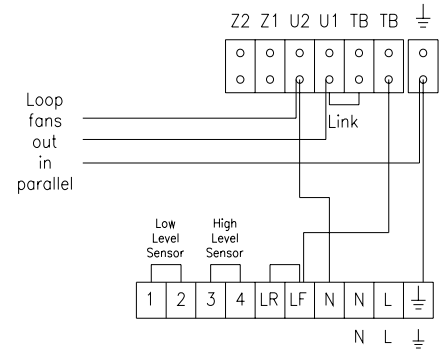


230V, 1Ph, 50Hz supply



Electronic speed controller

230V, 1Ph, 50Hz supply



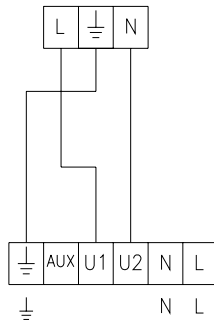
AECB50 (457489) Automatic Environment controller (15A max.)

230V, 1Ph, 50Hz supply

## WIRING DETAIL – JUPITER 315CTS & JUPITER 400CTS



230V, 1Ph, 50Hz supply



Electronic speed controller

230V, 1Ph, 50Hz supply

## INSTALLATION CHECK LIST

1. Are all links and wiring complete (refer to wiring diagrams)?
2. Are all fixings secured?
3. Are all relevant guards fitted?
4. Are all protective circuit devices fitted and wired correctly?
5. Are all terminal block covers and gland fittings secure?
6. Are all earth connections secured?
7. Check that no hazard exists for persons in the locality of the fan.
8. Check that the fan rotation is correct as per the direction arrows on the fan plate/casing. If not, isolate power supply and check wiring.

## RESPONSIBILITY

Vent-Axia Limited, as suppliers of the equipment cannot be responsible for the final installation and electrical connection of the product on site. We have made reasonable effort to offer guidance and assistance but the installer and electrical contractor on site have a responsibility for ensuring the equipment is safely and securely installed and electrically/mechanically safe in accordance with statutory requirements.

The fans are supplied as a component to be incorporated into a ventilation system. The final complete system that includes the fans MUST meet all relevant directives.

## **INSPECTION**

These fans require maintenance; therefore allow reasonable access for these operations to be carried out by a suitably qualified person safely.

***ISOLATE FROM POWER SUPPLY AND ENSURE POWER CANNOT BE RE-CONNECTED BEFORE ANY WORK IS CARRIED OUT.***

It is recommended that the fan be inspected after three months or sooner if conditions dictate. If a build up of dirt/deposits is evident then this should be carefully cleaned off. Please take care not to damage the fan or affect the balance of the impeller motor assembly (balance weights may be fitted to the impeller).

Further inspections should be carried out periodically as necessary dependant on experience and site conditions. It is recommended that a minimum of two inspections per year be carried out

The fan motors are fitted with 'sealed for life' bearings and, under normal circumstances, should not require maintenance.

## ***INSTRUCTIONS TO BE LEFT WITH END USER***

# **Vent-Axia<sup>®</sup>**

Head Office: Fleming Way, Crawley, West Sussex, RH10 9YX. Tel: 01293 526062 Fax: 01293 551188

**UK NATIONAL CALL CENTRE**, Newton Road, Crawley, West Sussex, RH10 9JA

SALES ENQUIRIES: Tel: 0844 8560590 Fax: 01293 565169

TECHNICAL SUPPORT: Tel: 0844 8560594 Fax: 01293 539209

For details of the warranty and returns procedure please refer to [www.vent-axia.com](http://www.vent-axia.com) or write to Vent-Axia Ltd, Fleming Way, Crawley, RH10 9YX