

Vent-Axia®

TIM2 Overrun Timer

Fitting & Wiring Instructions

IMPORTANT

PLEASE READ ALL INSTRUCTIONS CAREFULLY BEFORE COMMENCING INSTALLATION

1. It is recommended that this controller is installed by a qualified electrician.
2. The installation and wiring must comply with current IEE Regulations, BS7671, or the appropriate standards in your country.

Description

The TIM2 is a remote mounting electronic overrun timer with a relay output. 2 Amp induction load maximum. Adjustable overrun 2-30 minutes. Ideal for where fans are to be controlled in conjunction with a lighting circuit or activated by remote sensor e.g. P.I.R.

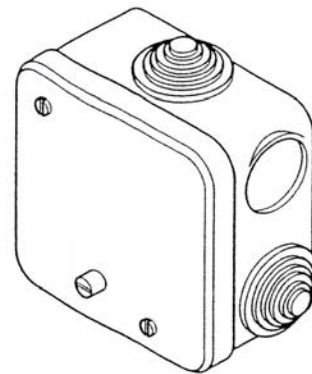
Timer Adjustment

To increase the overrun time period rotate adjuster anti-clockwise (Maximum 30 minutes)

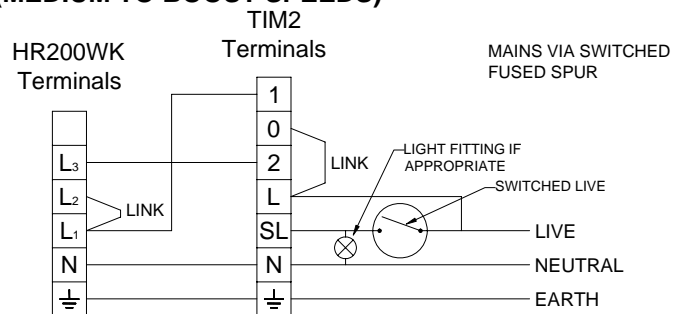
To decrease the overrun time period rotate adjuster clockwise (Minimum 2 minutes)

Relay Output

Normally Closed	1
Common	0
Normally Open	2

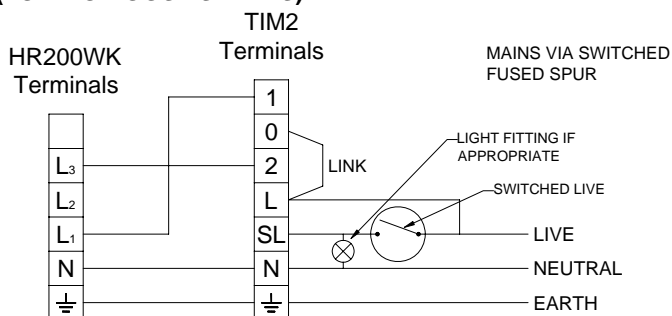


HR200WK WIRING (MEDIUM TO BOOST SPEEDS)



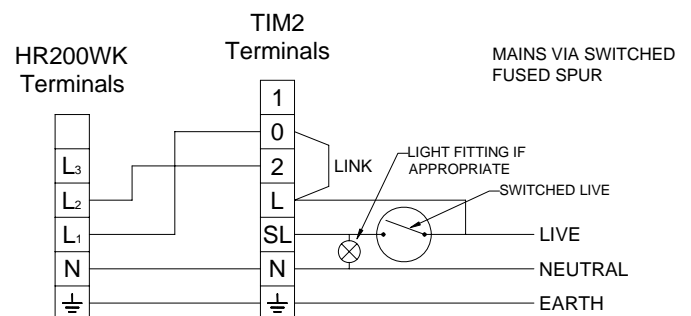
The HR200WK unit will run on continuous medium speed and switch to boost speed when the light switch is operated. It will continue on boost for the set overrun period when the light switch (switched live) is switched off.

HR200WK WIRING (LOW TO BOOST SPEEDS)



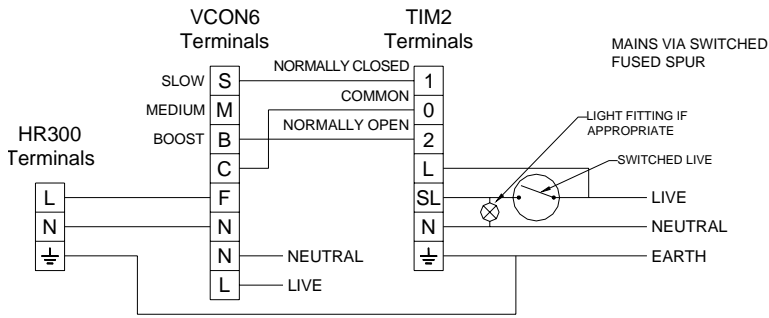
The HR200WK unit will run on continuous low speed and switch to boost speed when the light switch is operated. It will continue on boost for the set overrun period when the light switch (switched live) is switched off.

HR200WK WIRING (LOW TO MEDIUM SPEEDS)



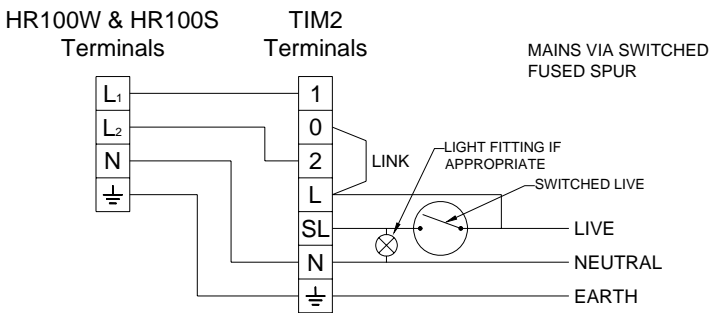
The HR200WK unit will run on continuous low speed and switch to medium speed when the light switch is operated. It will continue on medium for the set overrun period when the light switch (switched live) is switched off.

VCON6 WIRING FOR USE WITH HR300 UNITS



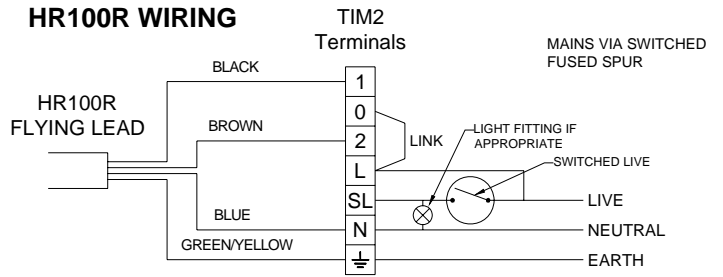
The above wiring will give manual speed control of the fan unit. Once the VCON6 setting is set to the "Sensor" option, the unit will run continuously on slow speed until the switched live (e.g. light switch) is activated. The unit will then automatically switch to boost and will continue for the set overrun period when the light switch (switched live) is switched off.

HR100W & HR100S WIRING



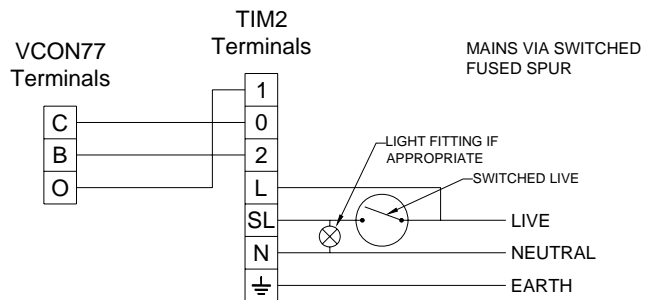
The HR100 unit will run on continuous low speed and switch to boost speed when the light switch is operated. It will continue to run for the set overrun period when the light switch (switched live) is switched off.

HR100R WIRING



The HR100R unit will run on continuous low speed and switch to boost speed when the light switch is operated. It will continue to run for the set overrun period when the light switch (switched live) is switched off.

VCON77 WIRING FOR USE WITH HR300 / HR250 / HR400 UNITS



The above wiring will give continuous low speed running on the desired voltage setting, until the switched live (e.g. light switch) is activated. The unit will then automatically switch to boost (240V) and will continue for the set overrun period, when the light switch (switched live) is switched off.

Internet site at: www.vent-axia.com

Email: info@vent-axia.com

Vent-Axia®

Technical Support

Tel:- 01293 441535

Fax:- 01293 539209

As part of the policy of continuous product improvement Vent-Axia reserve the right to alter specifications without notice