

Vent-Axia®

Clean Air Systems

3 Speed Switch Controller (5108454)

For use with
HR800 Whole House Ventilation System With Heat Recovery

Controller & HR800 Operation.

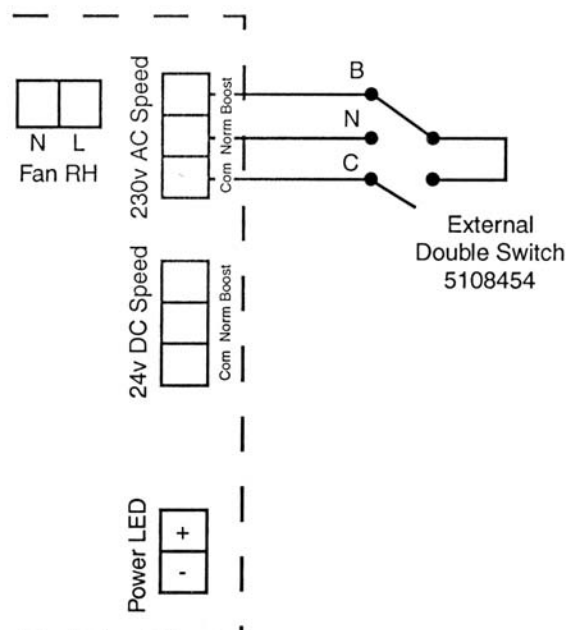
The Controller is designed to switch between low, normal and boost speed settings to give optimum performance. The control switch can be positioned remotely from the unit. Alternatively the switching can be achieved automatically using a remote sensor.

The three speed settings, which are designed to match the property volume and usage, should be set during commissioning. The fan extract and inlet speed settings can be independently set in line with good system design practice.

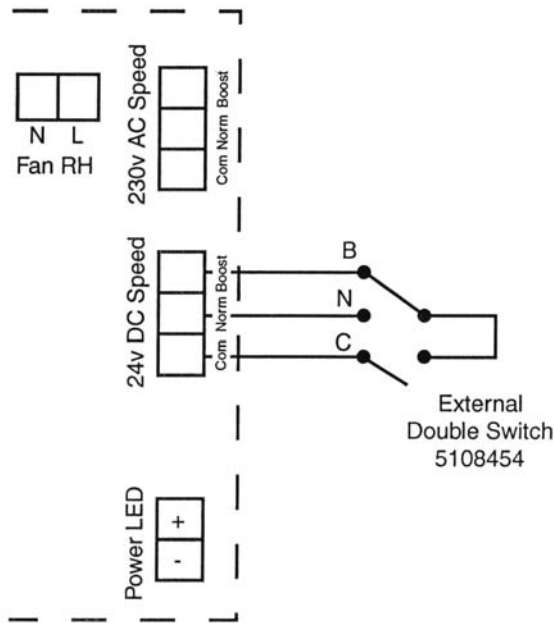
The HR800 units are designed to run continuously on either low or normal speeds. The power can only be isolated at the switched fused spur. If the external control calls for boost operation then the ventilation rate is increased in order to eliminate odours or humid air, the speed should then be returned to the low or normal setting.

Note:- The system operating noise level will be significantly higher when operating on the boost setting.

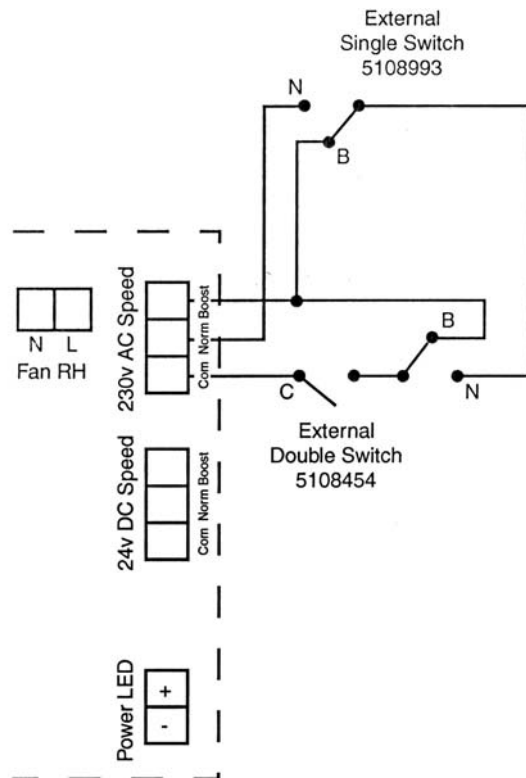
3 Speed External 230V Switch Control



3 Speed External 24V Switch Control (Bathroom Application)



2&3 Speed External 230V Switch Control Provided in 2 rooms



Vent-Axia
Clean Air Systems

A Division of Vent-Axia Limited.
 Fleming Way, Crawley, West Sussex RH10 9YX
 Technical support:- 01293 526062 Fax:- 01293 539209
 Internet Site at:-www.vent-axia.com