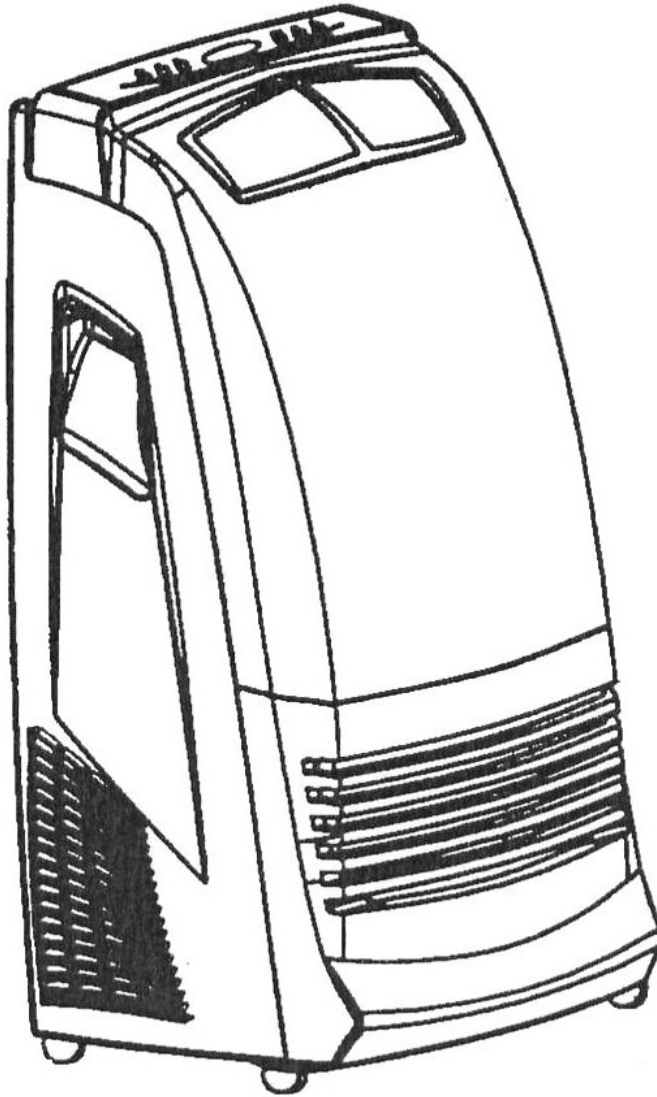


MOBILE AIR CONDITIONER



Models :-

3 IN 1+ COOLER, FAN & DEHUMIDIFIER

4 IN 1+ COOLER, FAN, DEHUMIDIFIER & HEATER

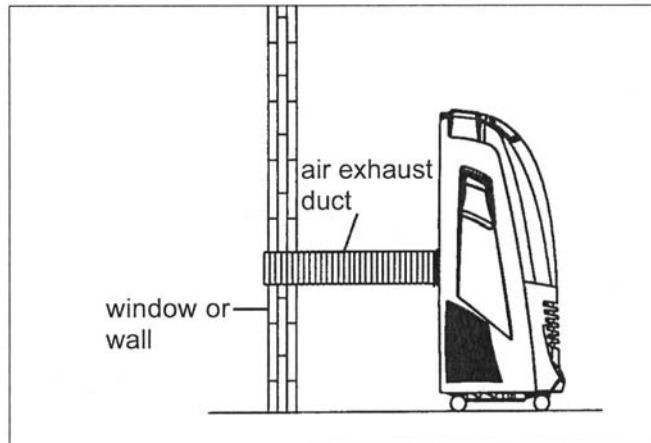
PLEASE READ THIS OWNERS MANUAL CAREFULLY BEFORE OPERATING THE UNIT

INTRODUCTION

This Mobile Air Conditioner is a small size appliance, which can adjust the temperature and humidity in a room. It also has multiple functions, including cooling, heating, (4 in 1 + only), dehumidifying and fan ventilation.

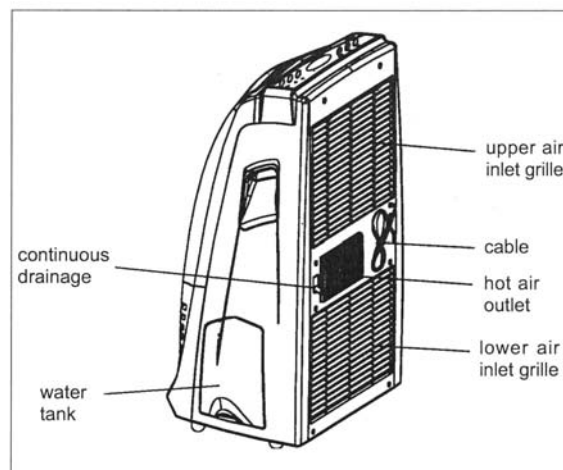
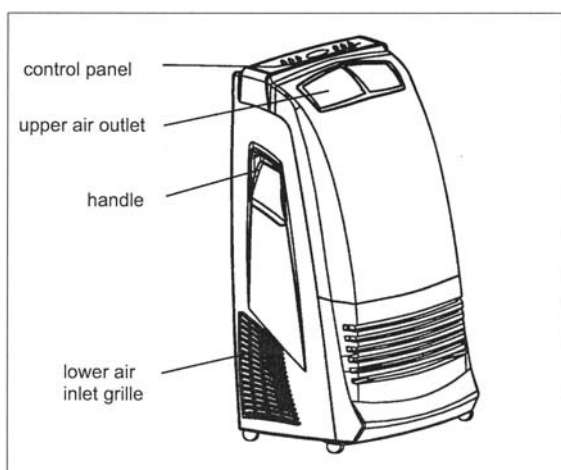
Attention: Before you use your Mobile Air Conditioner, please read this instruction manual carefully.

This instruction manual is for reference only and does not constitute a contract. We reserve the right to make technical changes without prior notice.



If this unit is only used as a dehumidifier, always remember to remove the exhaust duct from the main unit. When used as an air conditioner, mount the air exhaust duct to the air outlet (terminal) of the main unit.

Front and rear views of both 3IN1+ & 4IN1+ units

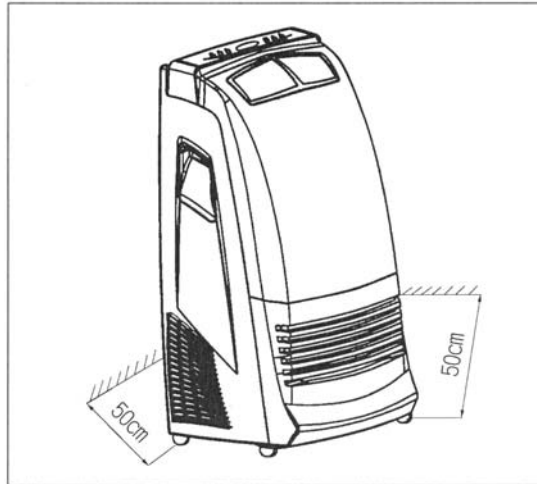


OPERATION

Dehumidifying and Cooling Operation

The operating ranges for cooling and dehumidifying operation is 16°C-35°C.

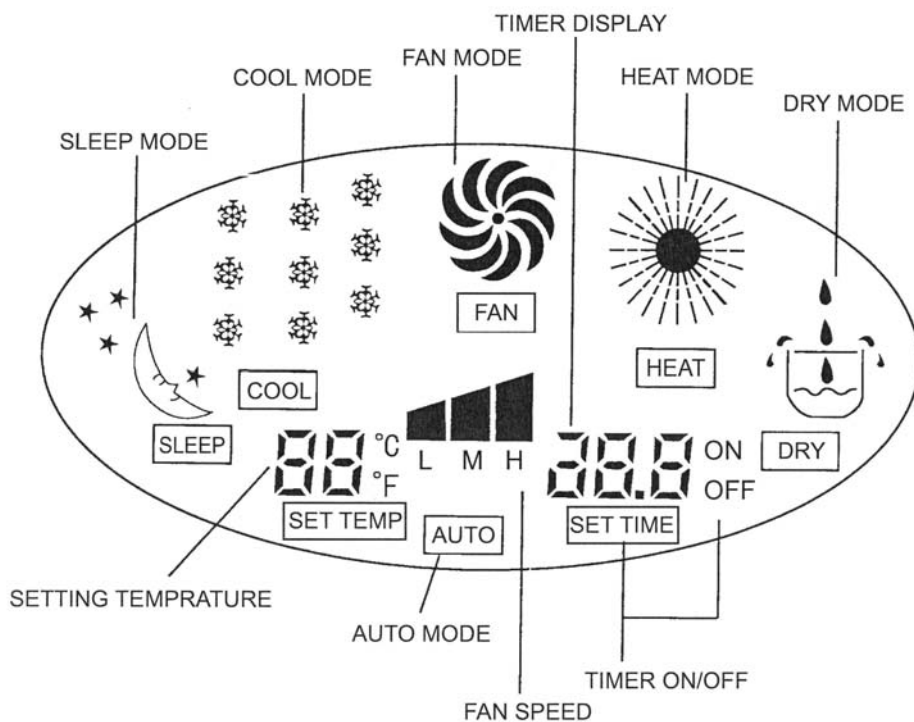
Place the mobile air conditioner in an area where the air outlets cannot be covered up. Place the unit no less than 50cm away from a wall or other obstacle.



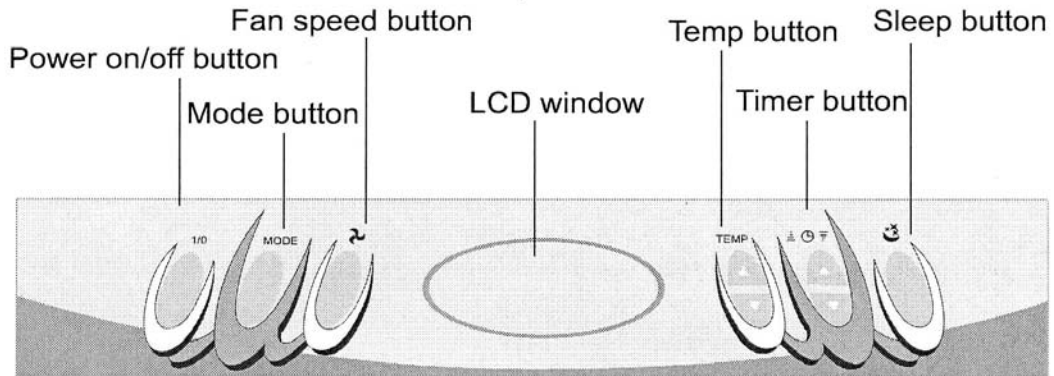
Before connecting the air conditioner to the power supply, please check:

1. The power supply is as stated on the unit rating label.
2. The unit must be earthed.

LCD Display Window layout



CONTROL PANEL



SELECTING AIR CONDITIONER FUNCTIONS

1. **Turn the air conditioner on:** press the power on/off button “1/0”. This will turn the appliance on.
2. **Mode Button ‘Mode’:**
3 in 1+: To select the running mode: Fan, cooling, dehumidifying and auto.
4 in 1+: To select the running mode: Fan, cooling, dehumidifying, heating and auto.
3. **Fan Speed Button :** There are three speeds to choose when the unit is working in Fan, Cooling and Heating mode. Push this button to change the fan speed. It will change in the sequence “High ⇒ Medium ⇒ Low.
4. **Temperature Setting Button “Temp”:** As soon as the air conditioner has been switched on, in the cooling or heating mode, the display on the control panel will show the temperature set (this will usually be different from the actual room temperature). Use the keys “▲” and “▼” to increase or decrease. It is good practice to set the temperature before selecting the operational mode.
5. **Use the “Timer” Button to Programme the Air Conditioner:**
Use this two button “▲” and “▼” to programme the air condition to come on or off at a set time. When the unit is running, set the time to stop the unit, and when it is off (but with power on) set the time to start the machine. The maximum set-time is 24 hours. Use keys “▲” and “▼” to increase and decrease.
6. **Sleep Button:** When the unit is running, press this button to enter sleeping mode and press once more to quit the mode. This key does not function under Auto mode.

Cooling Operation:

1. Ensure that the drain tank is properly placed in the unit.
 2. Install the exhaust duct properly (see air exhaust duct section page 16&17). During the cooling operation, always place the duct through an open window in order to exhaust warm air from the room.
 3. Press “mode” button to select the cooling mode. LCD window will display the function.
 4. Press “Temp” button to select desired room temperature between 16°C-35°C.
 5. Press “Fan speed button” to choose required fan speed: high, medium or low speed.
- Note: In order to improve the cooling efficiency, ensure that:
- (a) if your room is directly exposed to the sun, draw the curtains.
 - (b) Do not place the unit near other heat sources.

Dehumidifying Operation:

1. Keep the windows and doors closed to aid in effectively dehumidifying the room.
2. Ensure that the drain tank is properly placed in the unit.
3. press “mode” button to select the dehumidifying mode. LCD window will display the function. The fan speed cannot be adjusted.
4. When used as dehumidifier only, do not use the air exhaust duct.

Fan Running:

1. Press the “mode” button to select the fan mode. The LCD window will display the function.
2. Press “Fan speed button” to choose the fan speed: high-medium-low.

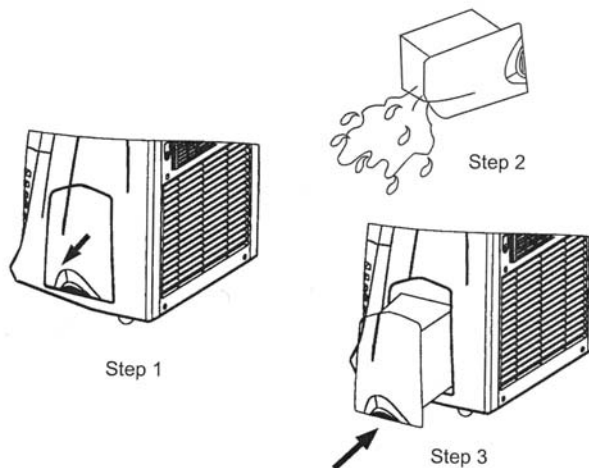
Heating Operation (4 IN 1+ only):

1. Press the “mode” button to select the heating mode. The LCD window will display the function.
2. Press “Fan speed button” to choose the fan speed: high-medium-low.

Water Drainage:

When in cooling or dehumidifying mode, water will drain into the tank. When the tank gets full, the indicator will flash and the buzzer will sound eight times, LCD window shows an error code “E4” at the same time the compressor stops running, the fan continues to run in the set speed. After three minutes, the unit will switch off.

Take out the water tank (step 1). Pour out the water inside the tank (step 2) then push it back to its original position (step 3).

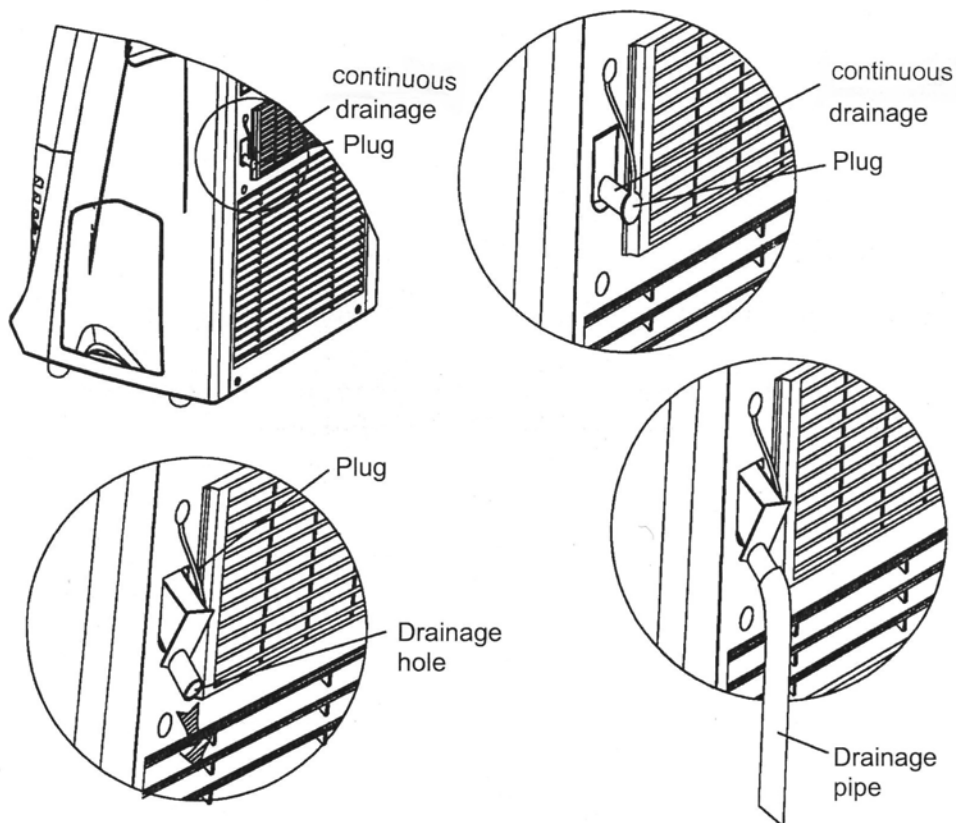


Caution:

1. When in cooling or dehumidifying mode, do not take out the water tank or the buzzer will sound and the compressor will stop.
2. If you want to empty the tank before it is full of water, stop the machine first and wait for 3 minutes to prevent the water from spilling into the unit.
3. There is a plastic pipe inside where the tank is placed. Do not remove the stopper while the unit is working because the water is used for cooling the copper tube.

Connecting up the Unit for Continuous Drainage Only:

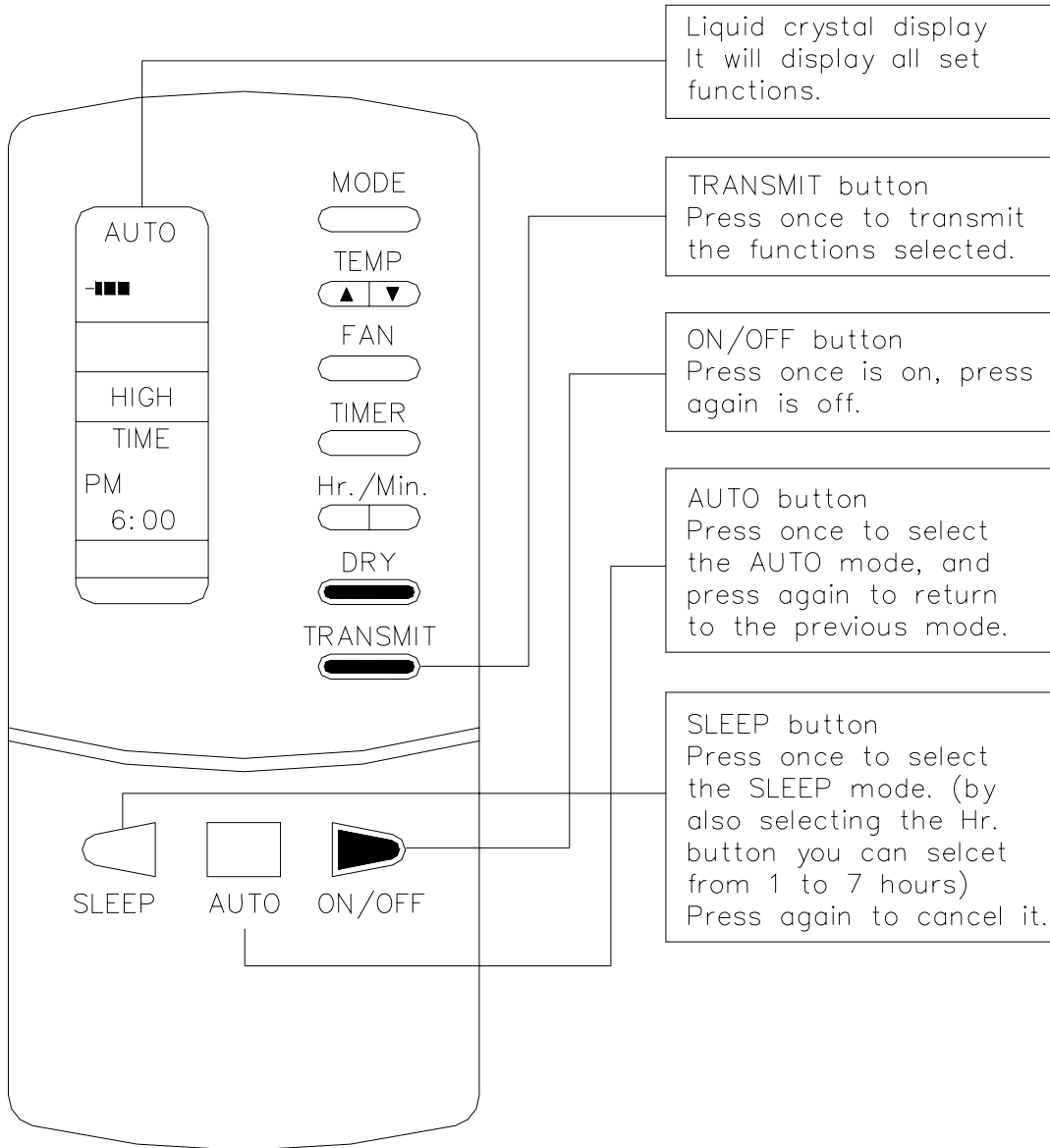
1. Push down the drainage outlet (see diagrams below), and with a slight incline downwards, pull out the plug.
2. Do not push down the drainage, except for this application, otherwise it will leak. Do not let the continuous drainage outlet get clogged up.
3. Hold the drainage outlet and then insert the pipe over the drainage hole.
4. Drainage:
 - When draining out water, do not press the drainage outlet too forcefully.
 - When draining out water, do not bend the pipe.



Attention:

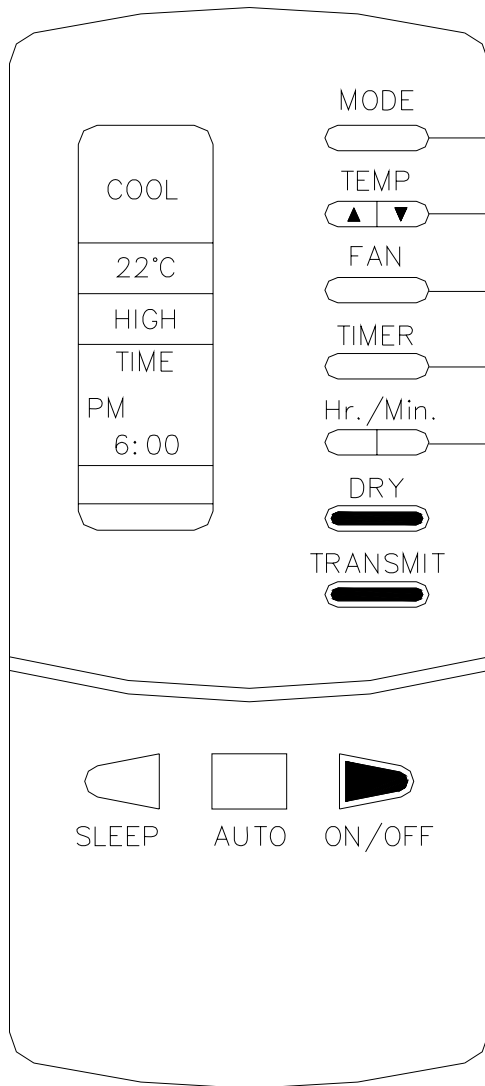
When the unit is operating or, just in this case, has just been stopped, water may leak out. Dry with a cloth and connect the drainage pipe quickly.

Description of wireless remote controller For cooling type only 3in1+



- *When transmitting the signal, the controller needs to be pointing at the front of the unit.
- *The information displayed can be transmitted for each mode selected AUTO, ON/OFF, SLEEP and TRANSMIT.

Description of wireless remote controller For cooling type only 3in1+



MODE button
Press this button to select which mode you require COOL/FAN

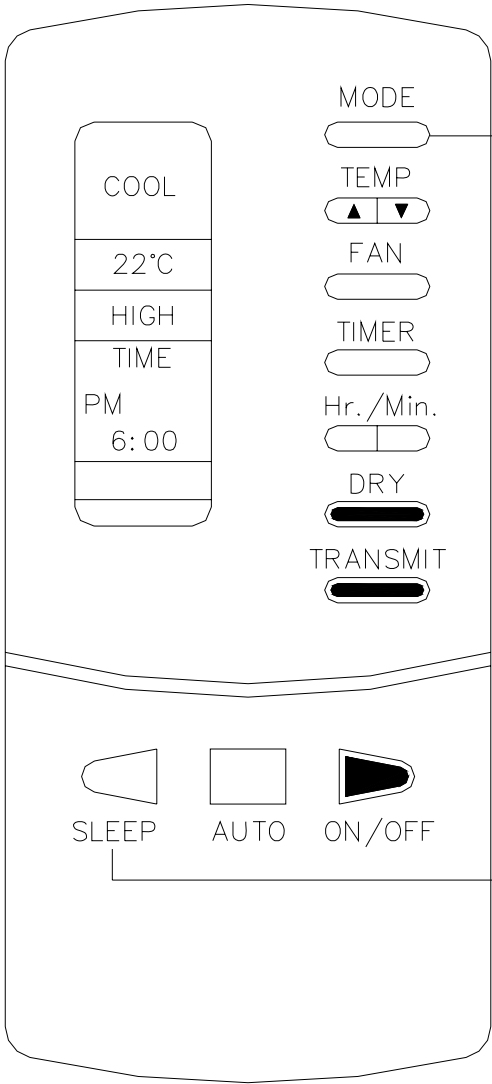
TEMP button
Press ▼ once, to decrease the room temperature by 1°C and press ▲ to increase by 1°C
The room temperature can be set between the following limits 16°C and 30°C

FAN button
3 speeds can be selected HIGH/M(mid)/LOW fan speed

TIMER button
TIMER and TIME can be chosen
TIMER is for the time setting
TIME is for the present time e.g Clock time

Hr./Min.button
when "TIME" is selected press Hr. once the hours increase by 1 with every press of button. Press Min. once and the minutes increase by 1 with every press of button.
when "TIMER" is selected press Hr. once the hours increase by 0.5 between the limits 0 and 7 hours
On SLEEP, Press Hr. once the time interval increases 1 hour, which circles in the range 1 to 7 hours.

Description of wireless remote controller
of heating pump type 4in1+



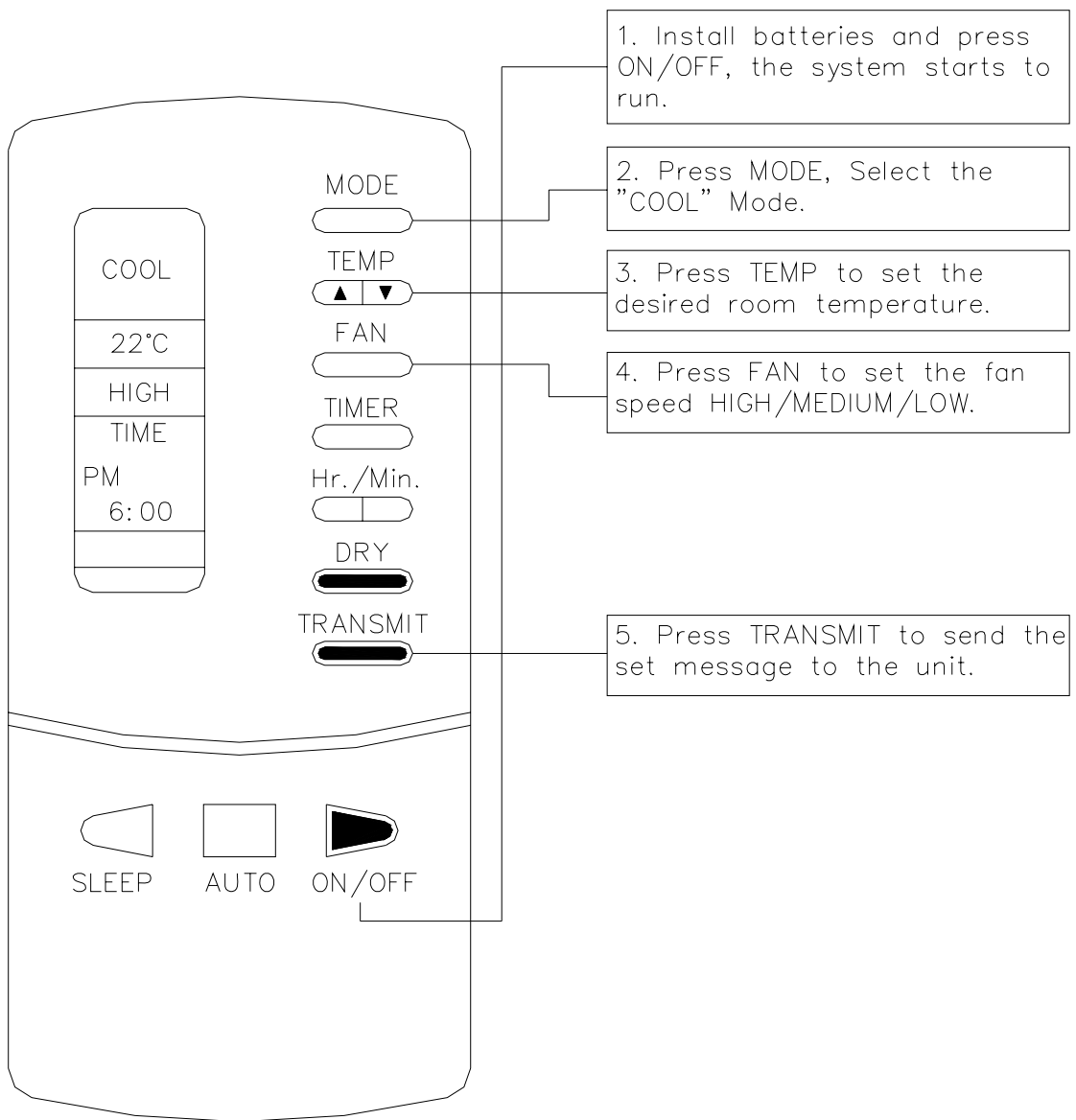
MODE button
Press this button to select which mode you require COOL/FAN/HEAT.
"COOL" will supply cold air.
"FAN" will operate just the fan for air circulation.
"HEAT" will supply warm air.

SLEEP button
Press this button to select the "SLEEP" mode. Press once more to cancel.

The other functions for the 4IN1+ are stated on pages 7 & 8 (3IN1+ cooling model)

- *When transmitting the signal, the controller needs to be pointing at the front of the unit.
- *The information displayed can be transmitted for each mode selected AUTO, ON/OFF, SLEEP and TRANSMIT. The other buttons can only change the messages which should be transmitted in 15 seconds, otherwise the messages will be cancelled.

COOL MODE OPERATION PROCEDURE

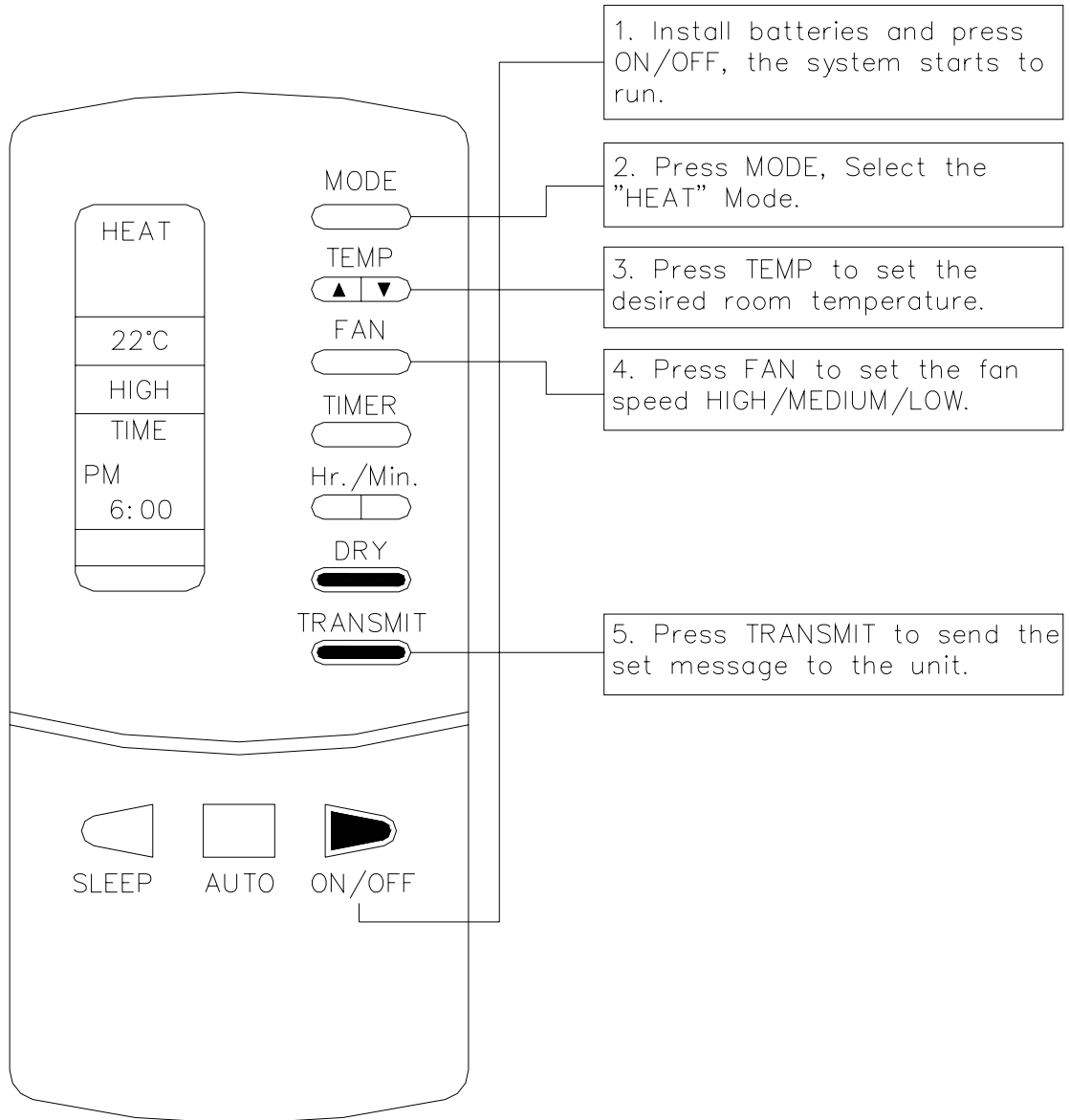


*When the rooms temperature is higher then the temperature set the compressor will start to run.

*When the rooms temperature is lower then the temperature set the compressor stops running and the fan operates at low speed.

*The temperature can be set between the following range 16°C~30°C

HEAT MODE OPERATION PROCEDURE (4IN1+ ONLY)



TIME DELAY IN HEATING

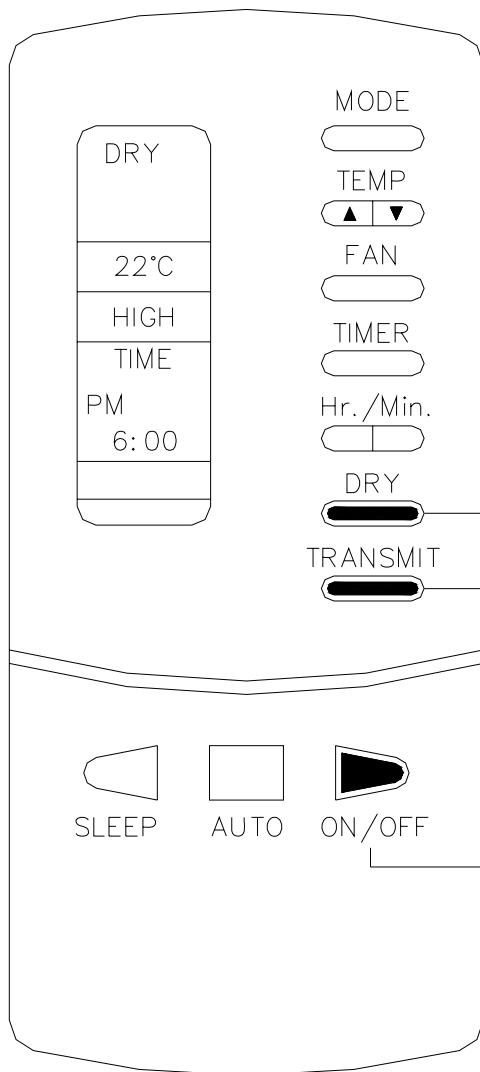
*To avoid cold air, The fan motor does not start until the compressor starts.

* Once the temperature in the room reaches the SET TEMP the compressor will stop running and the fan will operate at low speed.

*If the wireless remote controller does not control the unit, Pull out the plug and insert again, this should reset the unit.

*If the wireless remote control can't display clearly or it can't receive the messages, The batteries will need checking and or replacing.

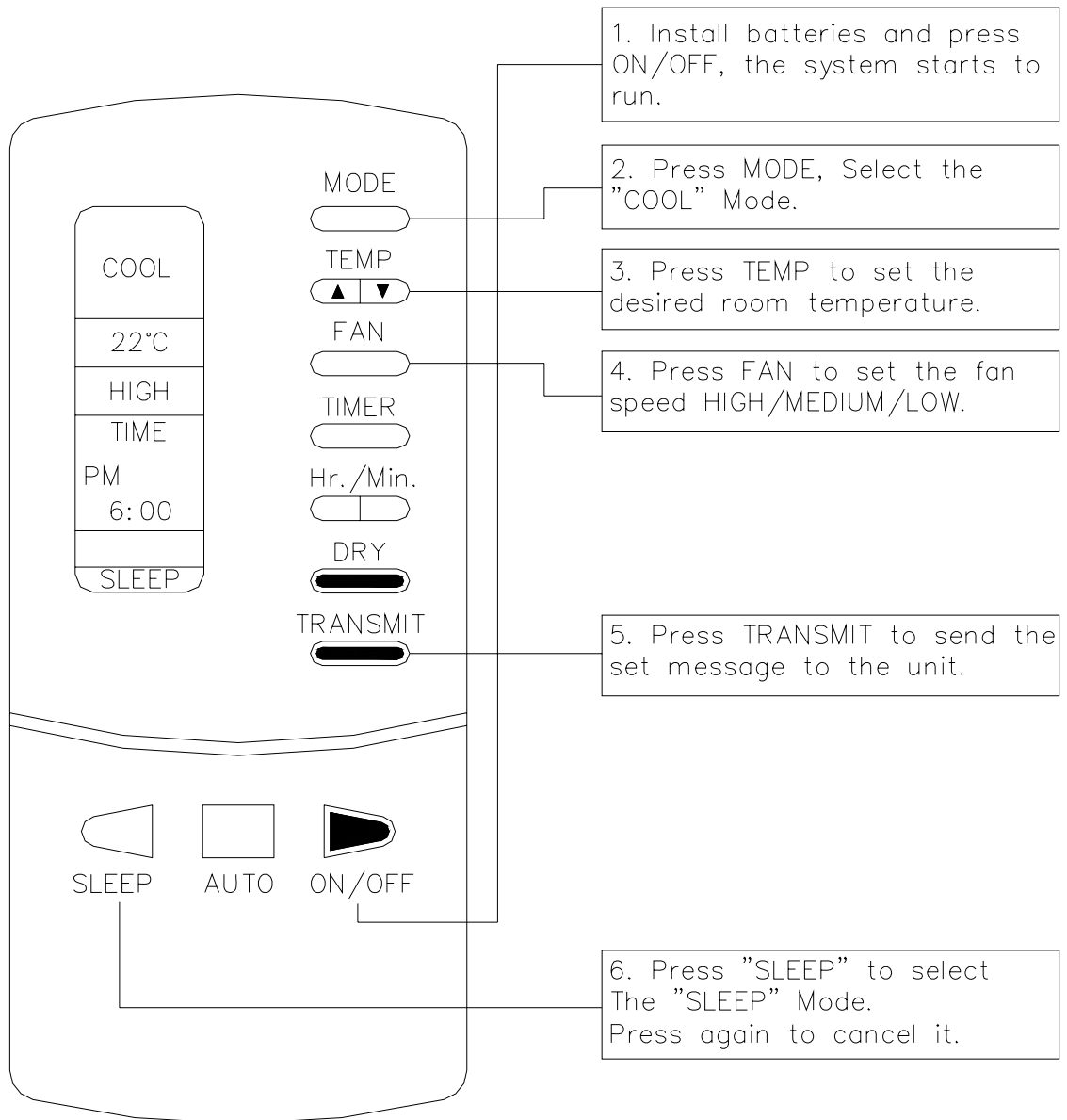
DRY MODE OPERATION PROCEDURE



DRY MODE

*The compressor is running and the fan will be running in low speed.

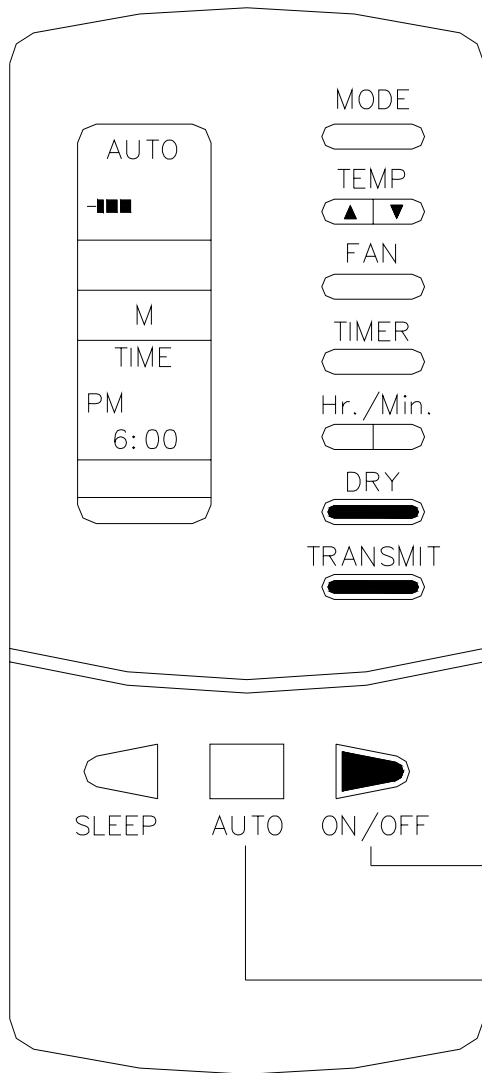
SLEEP MODE OPERATION PROCEDURE



* In SLEEP mode the Hr. button can be used to set the timer Between 1 an 7 hours.

* In SLEEP mode the air conditioner adjusts the set temp according to the time automatically to save power and keep the room comfortable for sleeping.

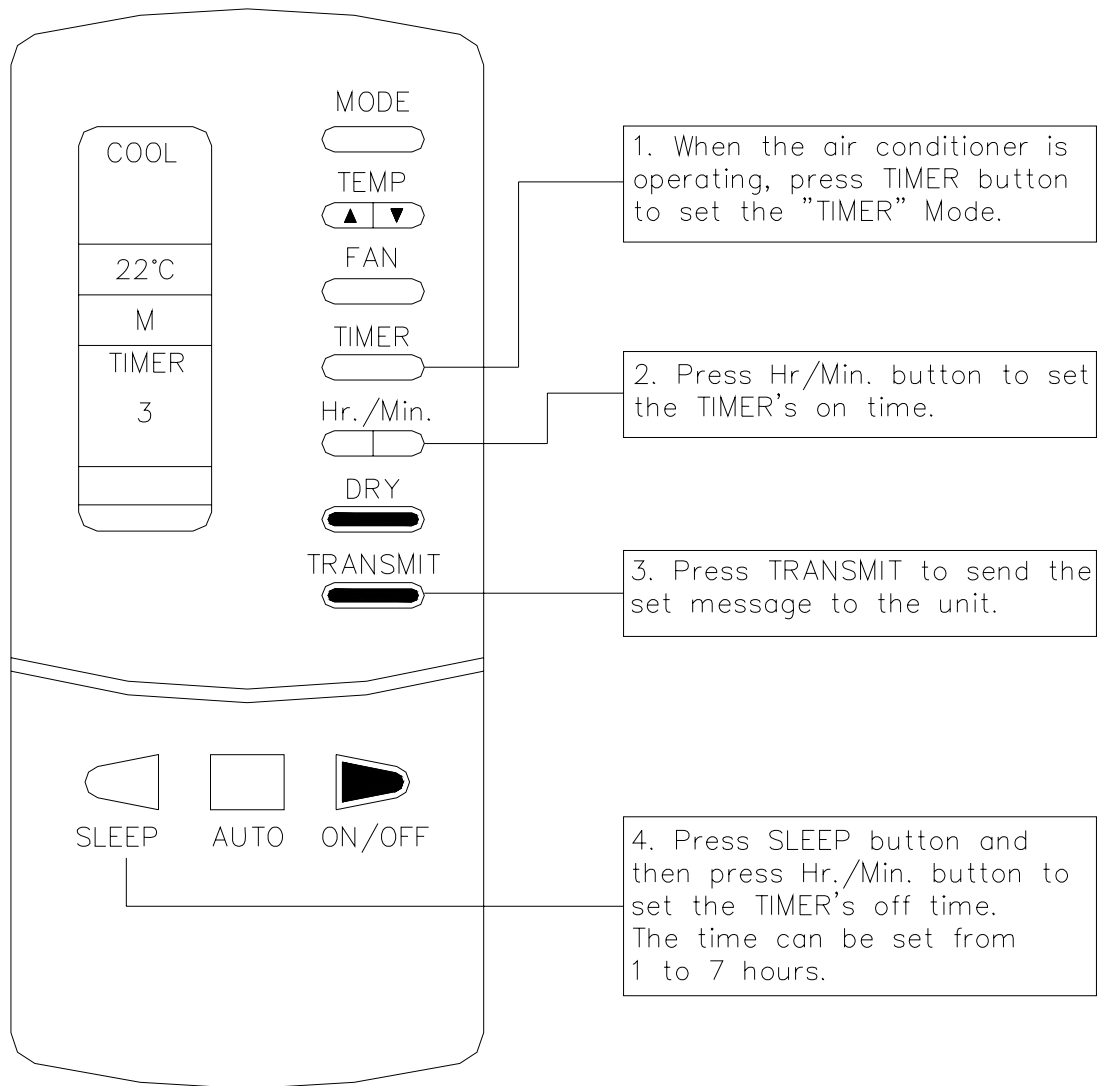
AUTO MODE OPERATION PROCEDURE



1. Install batteries and press ON/OFF, the system starts to run.

2. Press AUTO to select the "AUTO" Mode.
The microprocessor controls the compressor and fan motor on or off to keep the room at a comfortable level.

TIMER OPERATION PROCEDURE



*When TIMER is set, the air conditioner switches off. It will start again on the last setting at the SET TIME.

*Press TIMER and select TIME to display the present time. The number of hours and minutes can be adjusted by the Hr./Min. button.

*Pressing SLEEP to set the SLEEP Mode will override the TIMER's off setting. And by pressing the TIMER button will override the set SLEEP Mode.

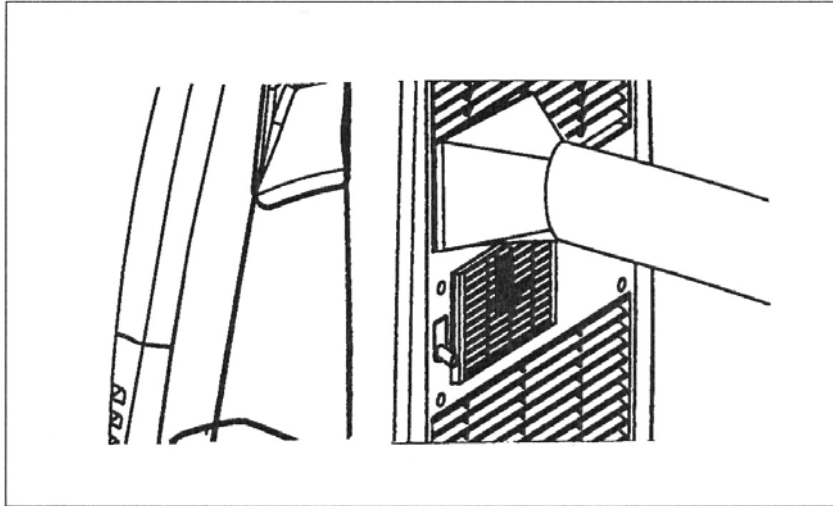
AIR EXHAUST DUCT

The Air Exhaust Duct Mounting Method:

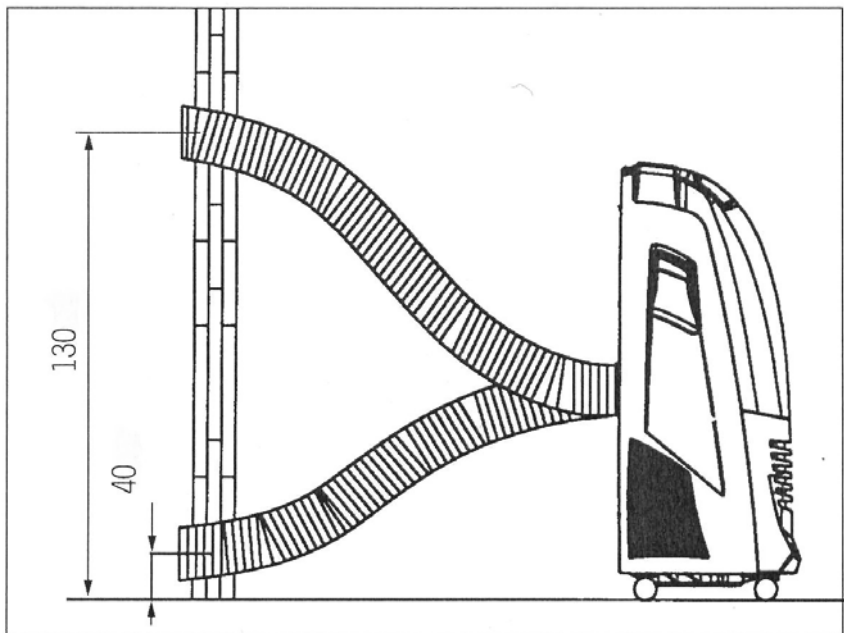
1. Fix the square end of the exhaust duct to the exhaust terminal of the unit.
2. Put the other end (discharge) to the nearest window.

Note: The length of the air exhaust must be between 500mm-2000mm.

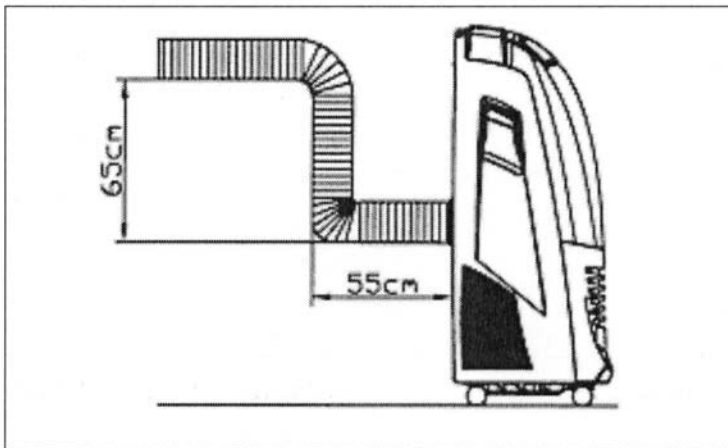
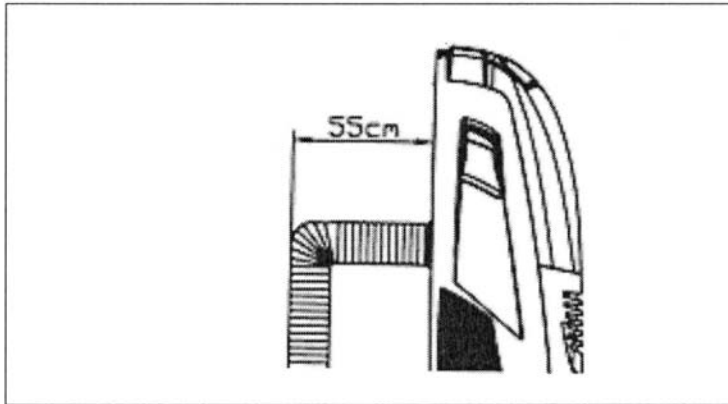
Caution: When mounting, try to keep the air exhaust horizontal.



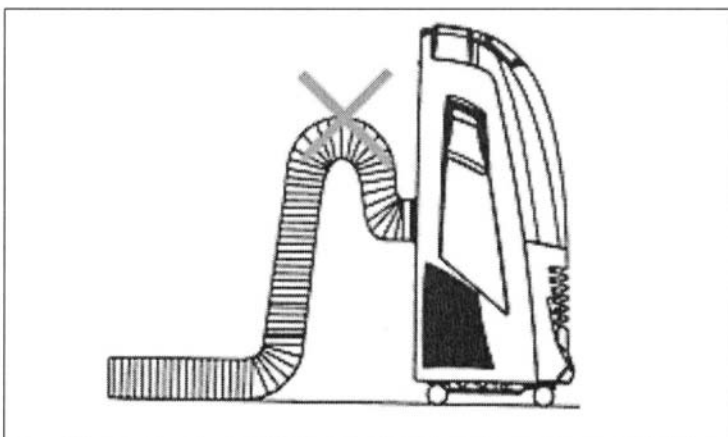
Correct mounting shown below. (if mounting in the wall, the height of the hole should be between 40cm-130cm) as below:



If the air exhaust requires a bend in it, bend as shown below:



Wrong mounting shown below. (Air exhaust bend too large).



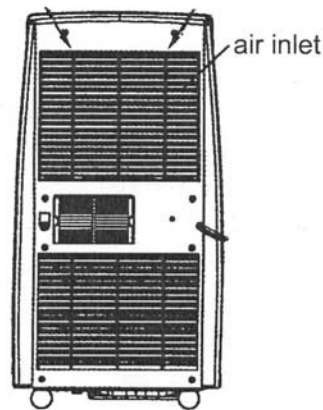
MAINTENANCE

Maintenance Methods:

- Switch off unit and unplug before cleaning.
- Do not use chemical solvent to clean the surface of the unit, otherwise the surface will get damaged.

Air Filter:

- Over time, the air filter may become blocked with dust and the airflow volume will reduce. Clean the filter once every two weeks, as stated below:
1. open the air filter cover upwards, then take off the air filter.
 2. take the air filter out of filter cover.

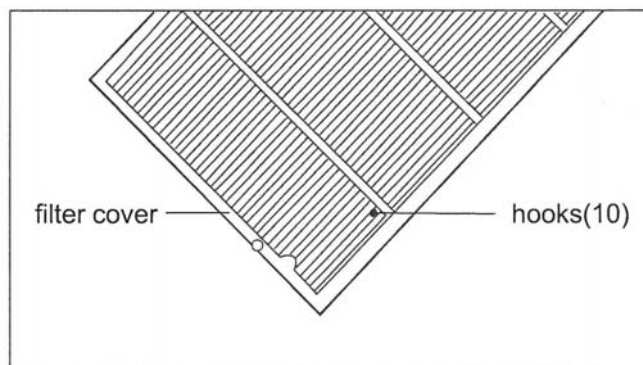


To Clean the Filter:

Wash the air filter by immersing it gently into warm water (about 40°C), containing a neutral detergent. Rinse the filter of detergent and dry it thoroughly.

Replacing the Filter:

1. attach the filter to the filter cover with the attachment hooks on the inside surface of the cover.
2. Place the hooks at the bottom of the filter cover into the holes in the case. Push it back into its original position.

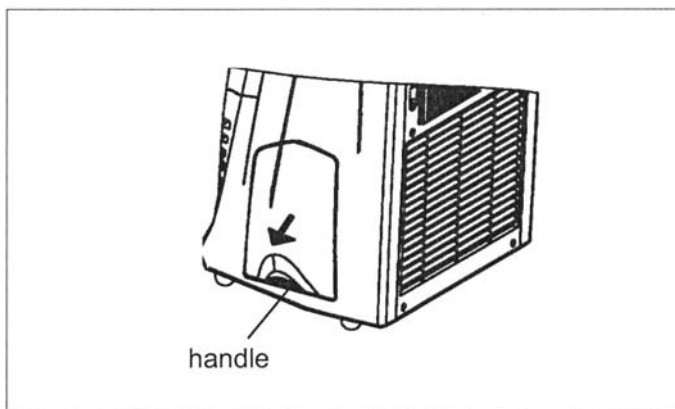


Keep Surface Clean:

Clean the surface of the unit with a damp cloth, then dry it with a duster or similar.

Water Tank:

1. Hold the handle of water tank and pull out slowly.
2. Pour out the water, clean with neutral detergent (about 40°C). Wash and dry it carefully and then push the tank back.

**TROUBLE-SHOOTING**

To be done by a suitably qualified person. If in doubt, consult a service engineer.

PROBLEM	CAUSE	SOLUTION
The air conditioner does not work.	Power supply fault. 1. Not plugged in. 2. Bad plug or socket Fuse blown	1. Plug in correctly. 2. Change the plug or the socket. 3. change/replace fuse.
The indicator shows the run mode, but it does not run.	The timer is set at on time.	Close the timer or wait for it to run automatically.
In cooling mode, no cool air is coming out.	1. The room temperature is lower than the temperature you have set. 2. There is frost on the evaporator.	1. It is normal. 2. The unit is defrosting. It will run after defrosting is finished.
In dehumidifying mode, no cool air is coming out.	Take off the air filter. There is frost on the surface of the evaporator	The unit is defrosting. It will run after defrosting is finished.
LCD window shows "E1"	1. Power supply was unstable. 2. Something wrong with the unit.	Stop the air conditioner by switching off the power supply. Start it 10 minutes later. If it still displays "E1", call a service engineer.
LCD window shows "E4"	The water tank is full	Drain the water

SAFETY & GUIDENCE NOTES

- DO NOT use the unit in a very crowded room.
- To avoid surface colour from fading, DO NOT use the unit where the sunlight is shining directly onto it.
- DO NOT use the unit in water or near water.
- DO NOT use it near gas appliances, fires or in the vicinity of flammable liquids.
- The unit **MUST NOT** be located immediately below a socket outlet.
- DO NOT use the unit in the immediate surrounds of a laundry, bath, shower or swimming pool.
- Keep the unit one metre away from TV sets or radios to avoid the risk of electromagnetic interference.
- DO NOT use it with the air outlet too close to walls or cover the outlet to avoid overheating.
- DO NOT have the unit on an incline. If the unit does fall over, please unplug at once.
- DO NOT spray with chemical.

Note:

This unit is a mobile air conditioner. It has the whole unit inside a room and is different from window or split type air conditioners. If it cannot make the room temperature lower, it is not a quality problem, the unit has a good cooling result just inside the fan-shape area.