

CI/SfB

| (57.7) | | |

1st Edition

# Lo-Carbon Positive Input Ventilation



Lo-Carbon Positive Input Ventilation

**Vent-Axia**<sup>®</sup>

# Positive Pressure Ventilation

## What is PPV?

Also known as Positive Input Ventilation (PIV), positive pressure fans draw fresh air from the atmosphere, filter it and push it into the dwelling via a diffuser. All stale air in the property is forced out through the natural forms of ventilation, such as window mounted trickle vents.

## Positive Pressure Units

Vent-Axia have two versions of a positive pressure unit, one for loft mounting and a compact version for properties without loft space that can be discreetly mounted in a number of locations. This entire design is a result of close consultation with the public sector authorities. This valuable feedback has resulted in special attention to key design features such as robust construction, longer life filters, user friendly operation, reliable controls and wiring flexibility. Both versions can be used for air replacement in conjunction with an extract fan.

## Product Range

### PoziDry




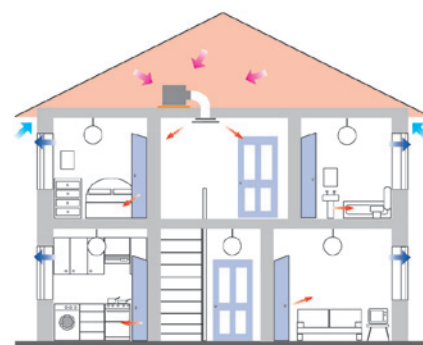
For controlling condensation particularly in the refurbishment sector, the Vent-Axia PoziDry offers a quick and simple solution. An out of sight loft mounted positive input fan draws in fresh air from the atmosphere, filters it and pushes it through a ceiling mounted diffuser normally located over the main stairwell of a two story dwelling or in the main hall of a bungalow.

The table below shows the total cost of Positive Pressure Ventilation.

	Hours a day	Motor consumption watts	kW/h per year	Price per kW/h	£ Total cost
Whole House	23	2.5	20.99	0.12	2.52
PoziDry* Solution	1	13	4.75	0.12	0.57
<b>Continuous Total</b>					<b>3.09</b>

\*Running for 23 hours on trickle and 1 hour on boost

-  Fresh incoming Air
-  Warm incoming Air
-  Tempered Air
-  Stale Air



Typical installation



**PoziDry Compact**



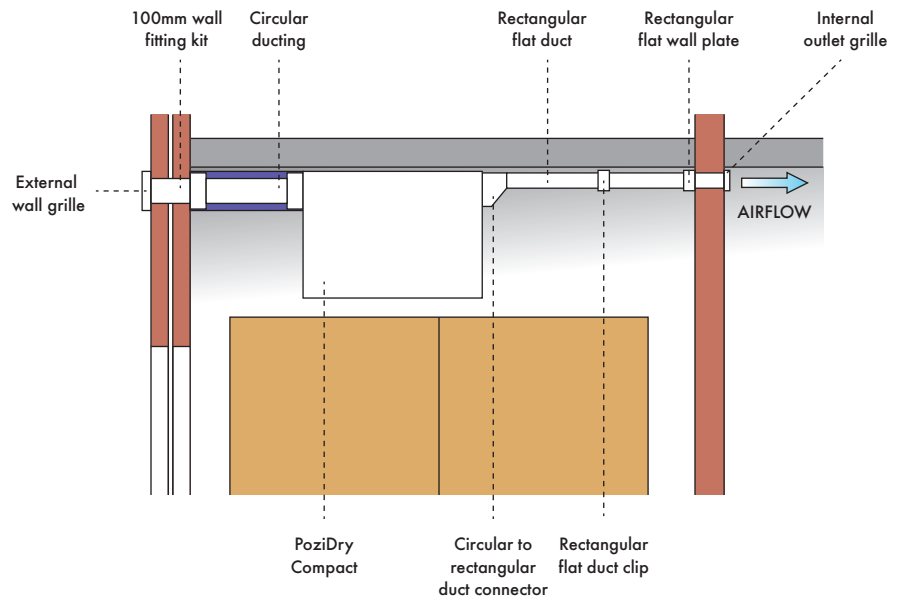
For those properties that do not have a loft, Lo-Carbon PoziDry Compact provides an easy to install solution. The wall mounted unit that can be fitted in a number of locations around a single floor flat or apartment.

Air is drawn into the PoziDry Compact unit via an external inlet and through a short length of duct. The specially developed fan/motor assembly (using the LoWatt DC motor technology) draws the air through an integral, high capacity, washable filter. The backward curved impeller guarantees increased efficiency, lower sound levels and better performance.

The fresh, filtered airflow passes along the ducting and terminates on an internal wall with a discreet grille. This directs the airflow upwards where the incoming air mixes with the warm air that gathers at ceiling height.

The system automatically provides fresh, tempered airflow into the home. There is minimal power consumption and costs as little as one penny a day to run. Creating an environment where the damaging effects of condensation find it hard to exist, benefits both the occupants and the structure of the home.

The PoziDry Compact unit is easily installed discreetly above a cupboard in a kitchen



# NEW RANGE

# Lo-Carbon

# PoziDry

## Positive Pressure Unit



### Features & Benefits

- Selectable air capacities to suit floor area up to 400m<sup>2</sup>.
- Uses latest Lo-Carbon technology motor for low running costs.
- Ultra Low sound level.
- Lo-Carbon PoziDry comes complete with ceiling diffuser, flexible duct, worm drive clips and anti-vibration mounts.
- Standard 5 year guarantee.
- Up to 5 year maintenance free EU4 filter IPX2
- SFP of 0.22W/l/s

### Positive Pressure Ventilation

For controlling condensation particularly in the refurbishment sector, the Vent-Axia Lo-Carbon PoziDry offers a quick and simple solution. A loft mounted positive input fan draws fresh air from atmosphere, filters it and pushes into the dwelling via a ceiling mounted diffuser. All stale air in the property is forced out through the natural forms of ventilation, such as window mounted trickle vents.

#### Without heater

Stock Ref  
**444075**

#### With integral heater

Stock Ref  
**444766**

### Installation

It is simply installed, out of sight in the loft space it can be suspended from a roof beam or be floor mounted, with a purpose-designed diffuser normally located over the stairwell of a conventional two story dwelling or in the main hall of a bungalow. The Lo-Carbon PoziDry is set to the appropriate speed at installation based on the size of the dwelling, providing positive pressure input ventilation. Background ventilation openings provide the exhaust points.

### Performance

The robust construction of the Lo-Carbon PoziDry features a specially developed Lo-Carbon DC fan/motor arrangement quietly delivers incredibly low running costs. The Lo-Carbon PoziDry uses a sensor to monitor the temperature in the loft, automatically adjusting the air volume when necessary. 'Trickle' speed is automatically selected when the ambient loft temperature is up to 18°C. 'Normal' is automatically selected when the ambient loft temperature is between 18 and 27°C.

If the ambient loft temperature exceeds 27°C, the Lo-Carbon PoziDry will automatically switch to standby (no airflow). The standby power consumption is 2W.

In the case of the integral 500W heater version, the heater element is automatically activated when necessary and tempers the supply air to 10°C. Can be used for air replacement in conjunction with an extract fan.

The Lo-Carbon PoziDry uses a sensor to monitor the temperature in the loft, automatically adjusting the air volume when necessary.

'Trickle' speed is automatically selected when the ambient loft temperature is up to 18°C.

'Normal' is automatically selected when the ambient loft temperature is between 18 and 27°C.

If the ambient loft temperature exceeds 27°C, the Lo-Carbon PoziDry will automatically switch to standby (no airflow). The standby power consumption is 2W. In the case of the integral 500W heater version, the heater element is automatically activated when necessary and tempers the supply air to 10°C.

Speed	1	2	3	4	5	6
FID (l/s)	10	18	26	34	42	50
Power (W)*	2.5	3	4	5	7	13
Floor Area up to (m <sup>2</sup> )	72	130	180	245	302	400
dB(A) @ 3m	19					23

\*add 500W for heater version

### Filter

The unit includes a filter with up to 5 years maintenance free to reduce the number of call outs needed throughout its life span.

### Time Elapsed Meter

The unit includes a time elapsed meter to enable precise running information

### Speed Control

With selection of 2 of 6 speeds available up to 50l/s, the unit is suitable for houses up to 400m<sup>3</sup>.

### Heater

An optional comfort heater is available for operation when the incoming air temperature becomes low.

### Motor

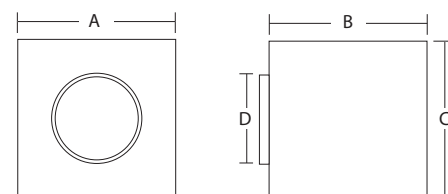
The electronically controlled DC motor is manufactured with long life ball bearings and is fitted with Standard Thermal Overload Protection (S.T.O.P.). Suitable for ambient operating temperatures of -25°C to +40°C.

For complete peace of mind the Vent-Axia Lo-Carbon PoziDry is backed by a 5 year guarantee.

### Dimensions

Weight: 11.5kg

A	B (depth)	C
438	411	379



## NEW RANGE

# Lo-Carbon PoziDry Compact Positive Pressure Unit



### Features & Benefits

- Ultra low sound level.
- Selectable air capacities to suit volumes of up to 34 l/s or Floor area up to 245m<sup>2</sup>.
- Extremely low running costs - from less than one penny per day.
- Washable, high capacity filter.
- Round to rectangular duct adaptor included.
- 5 Year Guarantee.

### Positive Pressure Ventilation

For those properties that do not have a loft, Lo-Carbon PoziDry Compact provides an easy to install solution. The duct mounted unit that can be fitted in a number of locations around a single floor flat or apartment.

Air is drawn into the Lo-Carbon PoziDry Compact unit via an external inlet and through a short length of duct. The specially developed fan/motor assembly (using the Lo-Carbon DC motor technology) draws the air through an integral, high capacity, washable filter. The backward curved impeller guarantees increased efficiency, lower sound levels and better performance.

The fresh, filtered airflow passes along the ducting and terminates on an internal wall with a discreet grille. This directs the airflow upwards where the incoming air mixes with the warm air that gathers at ceiling height.

The system automatically provides fresh, tempered airflow into the home. Creating an environment where the damaging effects of condensation find it hard to exist, benefits both the occupants and the structure of the home.

Can be used for air replacement in conjunction with an extract fan. EU4 filter as standard.

#### Without heater

Stock Ref  
**444076**

#### With integral heater

Stock Ref  
**444767**

### Performance

Trickle' speed is automatically selected when the ambient loft temperature is up to 18°C. 'Normal' is automatically selected when the ambient loft temperature is between 18 and 27°C. If the ambient loft temperature exceeds 27°C, the Lo-Carbon PoziDry will automatically switch to standby (no airflow). The standby power consumption is 2W.

In the case of the integral 500W heater version, the heater element is automatically activated when necessary and tempers the supply air to 10°C.

Speed	1	2	3	4
FID (l/s)	10	18	26	34
Power (W)	5.7	12.2	24.6	49.8
Floor Area (m <sup>2</sup> )	72	130	187	245

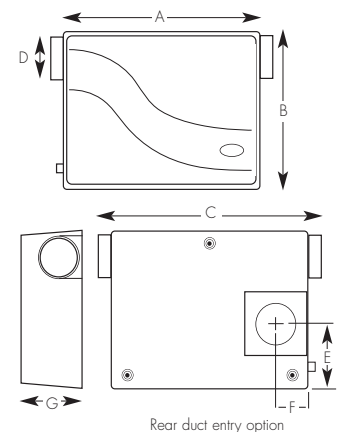
### Air Replacement Grille Set

For air replacement through doors. Consists of a two-piece telescopic set, which fits unobtrusively on either side of the door panel. Minimum fixing thickness 30mm. Plastic. Dimensions: 454 x 90mm.

### Dimensions (mm)

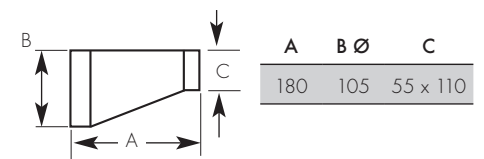
A	B	C	D	E	F	G
435	365	490	100	160	58	160

Weight: 7kg



### Duct Adaptor (included)

### Dimensions (mm)



### Installation Packs

Stock Ref No.	45 35 46	45 35 47	45 35 48
Quick Fit Grille (White)	1	1	1
Wall fitting kit (Brown)	1	1	1
HR 70WH Rdn-Rect Ad	1	3	3
HR 060WH Vert 90° bend	2	2	2
Ind 040WH Elbow/Spgt	1	1	1
HR 010WH 1m Flat Chnl	1	2	2
HR 015WH 1.5m Flat Chnl	1	2	2
HR 020WH Connector	1	4	4
HR 050WH Horiz 90° Bend	-	-	2
HR 122-H Chnl Clip	4	6	2



By Appointment to H.M. The Queen  
Suppliers of Unit Ventilation Equipment  
Vent-Axia, Crawley, West Sussex

# Vent-Axia®

## VENT-AXIA CONTACT NUMBERS

Free technical, installation and sales advice is available

### Sales Centre:

#### Domestic & Commercial

Sales Tel: 0844 856 0590  
Sales Fax: 01293 565169  
Tech Support Tel: 0844 856 0594  
Tech Support Fax: 01293 539209

#### Industrial

Sales Tel: 0844 856 0591  
Sales Fax: 01293 534898  
Tech Support Tel: 0844 856 0595  
Tech Support Fax: 01293 455197

**Web:** [www.vent-axia.com](http://www.vent-axia.com)

**Email:** [sales@vent-axia.com](mailto:sales@vent-axia.com)

### Supply & Service

All sales made by Vent-Axia Limited are made only upon the terms of the Company's Conditions of Sale, a copy of which may be obtained on request. As part of the policy of continuous product improvement Vent-Axia reserves the right to alter specifications without notice.



A British company supporting British manufacturing  
**Vent-Axia Group Ltd** Right products, right price, right here!