

CI/SfB

| (57.7) | | |

3rd Edition

the **ELECTRICAL**
industry awards
WINNER 2011

Winners of the Energy Efficiency Initiative 2011 Award
with our Lo-Carbon Continuous Ventilation Product Range.



Lo-Carbon Centra



De-centralised Mechanical Extract Ventilation

Vent-Axia[®]
Lo-Carbon[™]

Lo-Carbon Centra

Allowing you to help the environment by reducing your carbon footprint

Features & Benefits

- Part F compliant, System 3 Continuous mechanical extract.
- SAP Appendix Q eligible - Low SFP on SAP Q.
- Quietest dMEV available.
- Discreet, tasteful styling.
- Single fan for use in all applications.
- IPX4 rated - IPX7 rated (SELV)
- Constant volume option.
- Normal and Boost speeds.
- Lo-Carbon motor offering 90% energy savings and long life.
- 5 Year Motor Guarantee
- Suitable for wall, ceiling, panel and window mounting.
- SELV Models - Supplied with a remote transformer.
- SELV Models Suitable for 'Zone 1' installation

What is de-centralised MEV (dMEV)

The Building Regulations Part F gives examples of four main methods of ventilation, System 3, Continuous mechanical extract ventilation can be achieved using a single centralised extract unit such as the Sentinel Multivent ducted to 'wet' rooms (kitchen, bathroom, en-suite and WC) or by decentralised individual fans in the 'wet' rooms. The fans run continuously at near silent levels providing a simple and effective form of ventilation.

SELV (Safety Extra Low Voltage) is designed for areas where a fan can be installed within Zone 1 in a room where there is a fixed bath or shower. Ingress Protected (IP) to IPX7 Lo-Carbon Centra SELV can be fitted safely within the spray area. The separate transformer can be mounted away from the spray zone and out of reach from the bath or shower.

The Lo-Carbon Centra meets the latest requirements of the Building Regulations Document F 2010 for wholehouse system ventilation.

Selection of the two normal flow rates (6l/s or 9l/s) is via a simple 'jumper' on the control board. Different methods are available for operating boost speed from a simple switched live to integral humidistat or CO₂ sensor. See individual models for further details.

The attractive and discreet styling of the Vent-Axia Lo-Carbon Centra will complement the décor of any new home while virtually silent operation ensures optimum ventilation is achieved without intrusive noise.

Lo-Carbon Centra

The SAP Appendix Q eligible Lo-Carbon Centra has a specific fan power of only 0.18 w/l/s in through-the-wall kitchen applications.

Models

Lo-Carbon Centra

Optional Constant Volume. The integral digital air velocity sensor will monitor the airflow and maintain the preset extract flow rate of either 6l/s, 9l/s or 15l/s, minimising energy use and noise.

Stock Ref
441782

Lo-Carbon Centra/SELV T (Timer)

Ideal for bathroom and toilet applications, this unit runs continuously on trickle setting and may be boosted by the switched live input which activates the timer (adjustable up to 30 minutes).

Model **Stock Ref**
T **442954**
SELV T **443175**

Lo-Carbon Centra/SELV TP (Timer/Pullcord)

For bathroom/toilet applications, the continuous running TP model is boosted by the pullcord or by a switched live input which activates the timer (adjustable up to 30 minutes).

Model **Stock Ref**
TP **447127**
SELV TP **447128**

Lo-Carbon Centra/SELV HT (Humidistat/Timer)

For bathroom/toilet applications, the continuous running HT model is automatically boosted by the built-in humidistat or by a switched live input which activates the timer (adjustable up to 30 minutes).

Model **Stock Ref**
HT **442955**
SELV HT **443176**

Lo-Carbon Centra/SELV HTP (Humidistat/Pullcord)

For bathroom/toilet applications, the continuous running HTP model is automatically boosted by the built-in humidistat or by the pullcord which activates the timer (adjustable up to 30 minutes).

Model **Stock Ref**
HTP **443045**
SELV HTP **443177**

Lo-Carbon Centra CO₂ and Humidity

Continuous running, automatically boosted with integral CO₂ and humidistat sensor.

Stock Ref
444672

150mm Conversion Kit

Stock Ref
443334

Lo-Carbon Energy saving ventilation solutions



Developers choice

The Vent-Axia Centra has adjustable 'Normal' running speeds making it suitable for continuous extract in kitchens, bathrooms, en-suites and utility areas. This means the developer requires only one fan type for any dwelling.

The 100mm spigot is common with traditional intermittent extract fans, simplifying the specification process.

Safety first - IPX4 rated for installation in bathrooms. Flow rates are safe with open flued appliances.

Switched Live input allows the fan to be boosted by a range of Vent-Axia switches and sensors, or a single light switch.

Installers choice

One fan for all residential applications means a simplified stock profile and repeatable common installations. 6l/s or 9 l/s for normal speed and 15 l/s on boost.

Selection of the two normal flow rates is via a simple 'jumper' on the control board.

Can be installed with Vent-Axia range of 110 x 54 flat ducting, 100mm circular or flexible duct and accessories for internal room applications.

Carbon Benefits in SAP

The new Centra extract fan from Vent-Axia incorporates our latest Lo-Carbon motor and control technology delivering the lowest specific fan powers available for a SAP appendix Q Eligible dMEV system. Applying dMEV in SAP and using the SFP listed, significant reductions in dwelling emission rates are achievable. With near silent operation, a fresh design and reducing the requirement for trickle ventilators, it not only helps reduce DER's in SAP, but fits discreetly in modern homes and is simple to design in.





the **ELECTRICAL**
industry awards
WINNER 2011

Winners of the Energy Efficiency Initiative 2011 Award
with our Lo-Carbon Continuous Ventilation Product Range.

Homeowners choice

The attractive and discreet styling of the Vent-Axia Centra will complement the décor of any new home.

Virtually silent operation ensures optimum ventilation is achieved without intrusive noise.

With Lo-Carbon motors energy bills will be reduced - less than £1.50 a year to run.

The Environment

Long life motors - 5 years warranty means fewer replacements.

Low energy use - Lo-Carbon motors and computer designed impellers means up to 90% savings over traditional motors.

One size fits all - no components to dispose of at installation stage - again reducing wastage.

Plastic components are 100% recyclable.

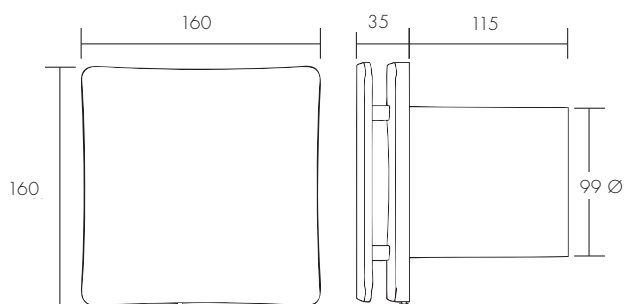




the **ELECTRICAL**
industry awards **WINNER 2011**

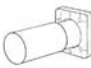




Winners of the Energy Efficiency Initiative 2011 Award
with our Lo-Carbon Continuous Ventilation Product Range.

Dimensions (mm)



Transformer (W x H x D) 87 x 87 x 33

Accessories

	Model	Stock Ref
	Wall fitting kit - white	254102
	Wall fitting kit - brown	254100
	150mm to 100mm diameter adaptor	443334
	Easy Fix 100mm Window Fitting Kit	442947
	Ceiling adaptor	443800

Performance Guide

Model	Extract Performance (l/s)			Power consumption (Watts)			Sound dB(A)@ 3m		
	Trickle	Trickle	Boost	Trickle	Trickle	Boost	Trickle	Trickle	Boost
	low	high		low	high		low	high	
Lo-Carbon Centra	6	9	15	1.4	1.6	2.4	10.8	15.5	25.2
Lo-Carbon Centra/SELV T	6	9	15	1.4	1.6	2.4	10.8	15.5	25.2
Lo-Carbon Centra/SELV TP	6	9	15	1.4	1.6	2.4	10.8	15.5	25.2
Lo-Carbon Centra/SELV HT	6	9	15	1.4	1.6	2.4	10.8	15.5	25.2
Lo-Carbon Centra/SELV HTP	6	9	15	1.4	1.6	2.4	10.8	15.5	25.2
Lo-Carbon Centra CO ₂	6	9	15	1.4	1.6	2.4	10.8	15.5	25.2

SAP Appendix Q Performance

Systems With Rigid Ductwork, Flexible Or Mixed Ductwork Installation

Unit Configuration	Location	Fan Speed Setting	Specific Fan Power (W/l/s)
In Room (Ducted)	Kitchen	High	0.32
In Room (Ducted)	Wet Room	9 L/s	0.28
Through Wall	Kitchen	High	0.18
Through Wall	Wet Room	9 L/s	0.20



By Appointment to H.M. The Queen
Suppliers of Unit Ventilation Equipment
Vent-Axia, Crawley, West Sussex

Vent-Axia®

VENT-AXIA CONTACT NUMBERS

Free technical, installation and sales advice is available

Sales Centre:

Domestic & Commercial

Sales Tel: 0844 856 0590
Sales Fax: 01293 565169
Tech Support Tel: 0844 856 0594
Tech Support Fax: 01293 539209

Industrial

Sales Tel: 0844 856 0591
Sales Fax: 01293 534898
Tech Support Tel: 0844 856 0595
Tech Support Fax: 01293 455197
Web: www.vent-axia.com
Email: sales@vent-axia.com

Supply & Service

All sales made by Vent-Axia Limited are made only upon the terms of the Company's Conditions of Sale, a copy of which may be obtained on request. As part of the policy of continuous product improvement Vent-Axia reserves the right to alter specifications without notice.



A British company supporting British manufacturing
Vent-Axia Ltd t: 0844 856 0590 Right products, right price, right here!

402216/1111